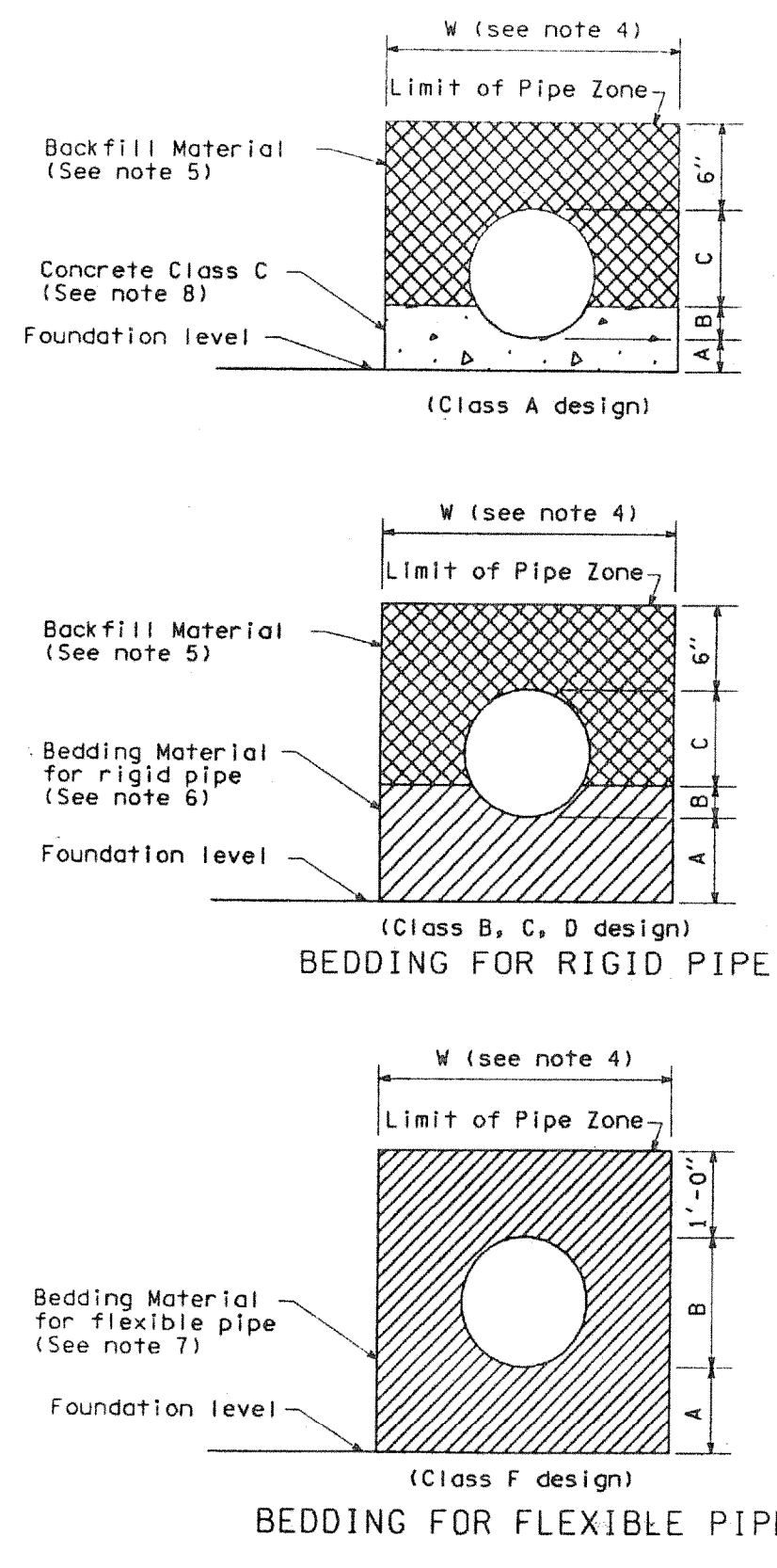


6" OR 8" IN-LINE CLEAN-OUT

1



PIPE BEDDING FOR SANITARY SEWERS

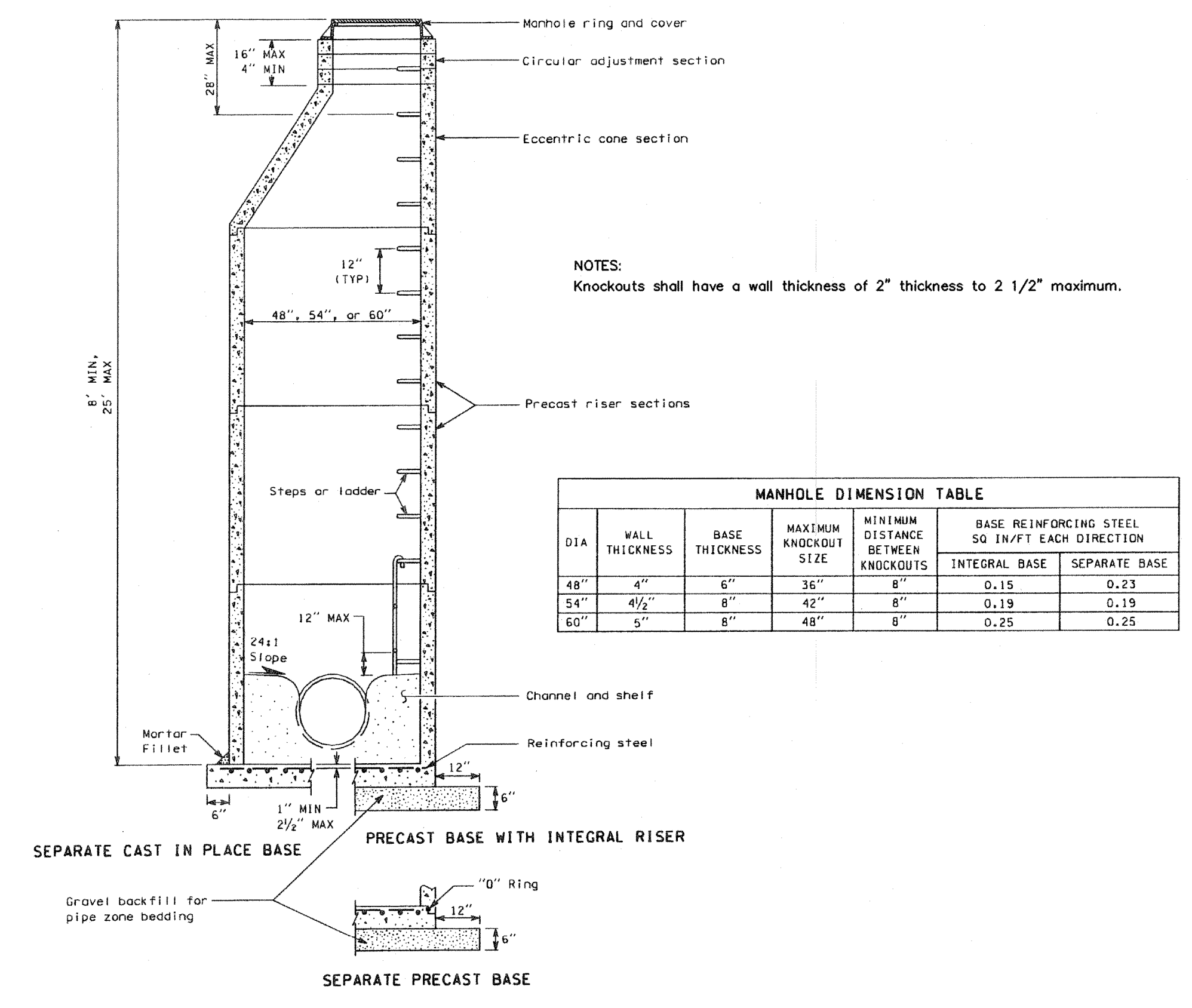
- NOTES:
- Provide uniform support under barrel.
 - Hand tamp under haunches.
 - Compact bedding material to 95% MAX density except directly over pipe, hand tamp only.
 - See "Excavation and Preparation of Trench" in the Sanitary Sewers section of the Standard Specifications for trench width "W" and trenching options. The pipe zone will be the actual trench width, except for Class A bedding. The minimum concrete width shall be 1/2 I.O. + 18".
 - Trench backfill shall conform to "Backfilling Sewer Trenches" in the Sanitary Sewers section of the Standard Specifications, except that ricks or lumps larger than 1" per foot of pipe diameter shall not be used in the backfill material.
 - See "Bedding Material for Rigid Pipe" in the Aggregates section of the Standard Specifications for the material specifications.
 - See "Bedding Material for Flexible Pipe" in the Aggregates section of the Standard Specifications for the material specifications.
 - Pipe must be anchored in such a manner as to ensure flow line is maintained.

DIMENSION	BEDDING CLASS DESIGN				
	CLASS A	CLASS B	CLASS C	CLASS D	CLASS F
A	4" MIN 1/4 I.D. 12" MAX	*	*	Zero	*
B	1/4 O.D.	1/2 O.D.	1/2 O.D.	Zero	O.D.
C	3/4 O.D.	1/2 O.D.	1/2 O.D.	O.D.	-

* A = 4" MIN, 27" I.O., and under
 6" MIN, over 27" I.O.

PIPE BEDDING FOR SANITARY SEWERS
 WASHINGTON STATE DEPARTMENT OF TRANSPORTATION
 STANDARD PLAN B-18c
 APPROVED February 21, 1991

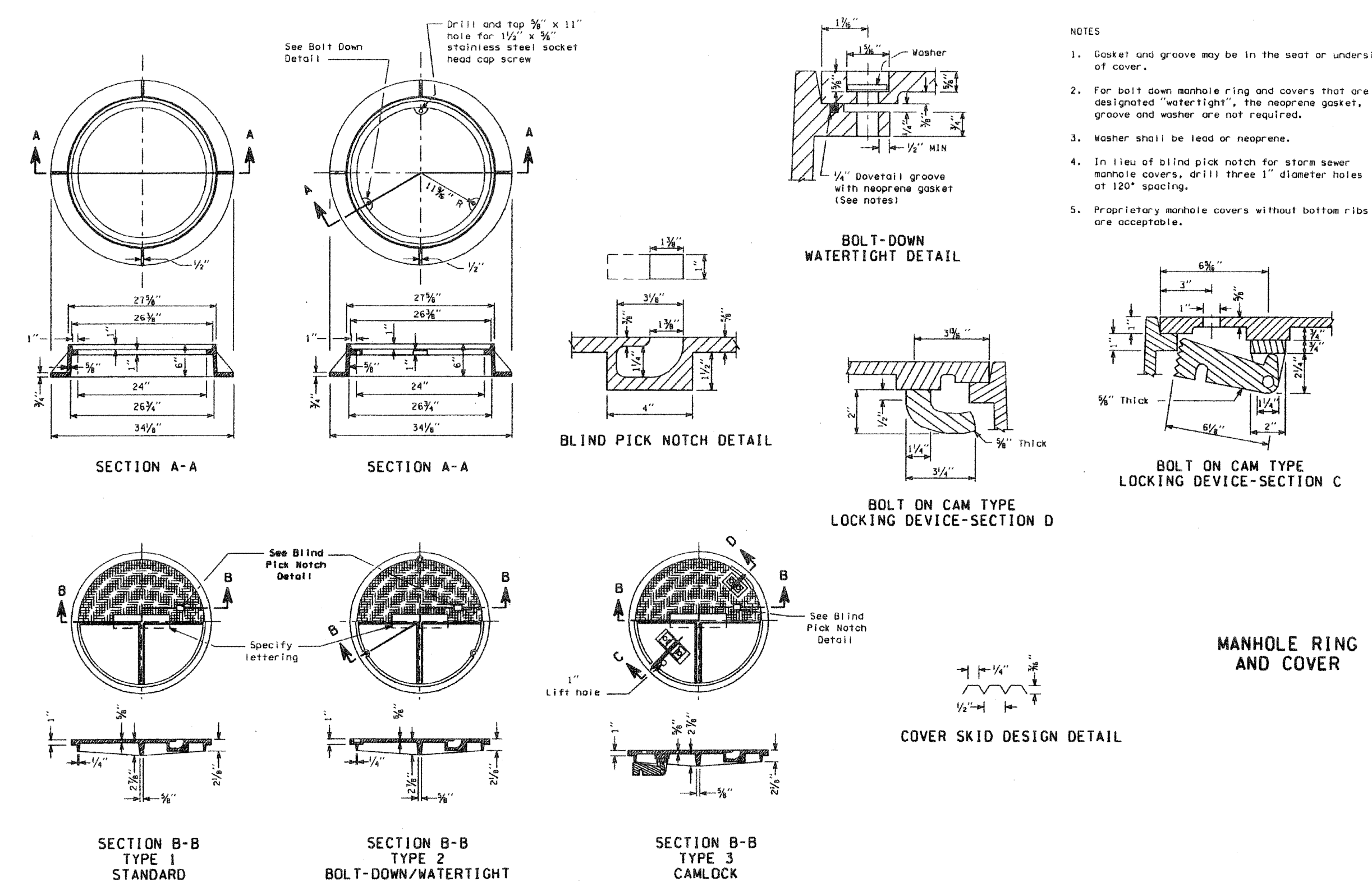
DATE	REVISION	BY	APPR'D
2-21-91	Revised Notes 4, 5, 7, & 8. Added Note 6.	KJL	



DIA	WALL THICKNESS	BASE THICKNESS	MAXIMUM KNOCKOUT SIZE	MINIMUM DISTANCE BETWEEN KNOCKOUTS	BASE REINFORCING STEEL SQ IN/FT EACH DIRECTION	
					INTEGRAL BASE	SEPARATE BASE
48"	4"	6"	36"	8"	0.15	0.23
54"	4 1/2"	8"	42"	8"	0.19	0.19
60"	5"	8"	48"	8"	0.25	0.25

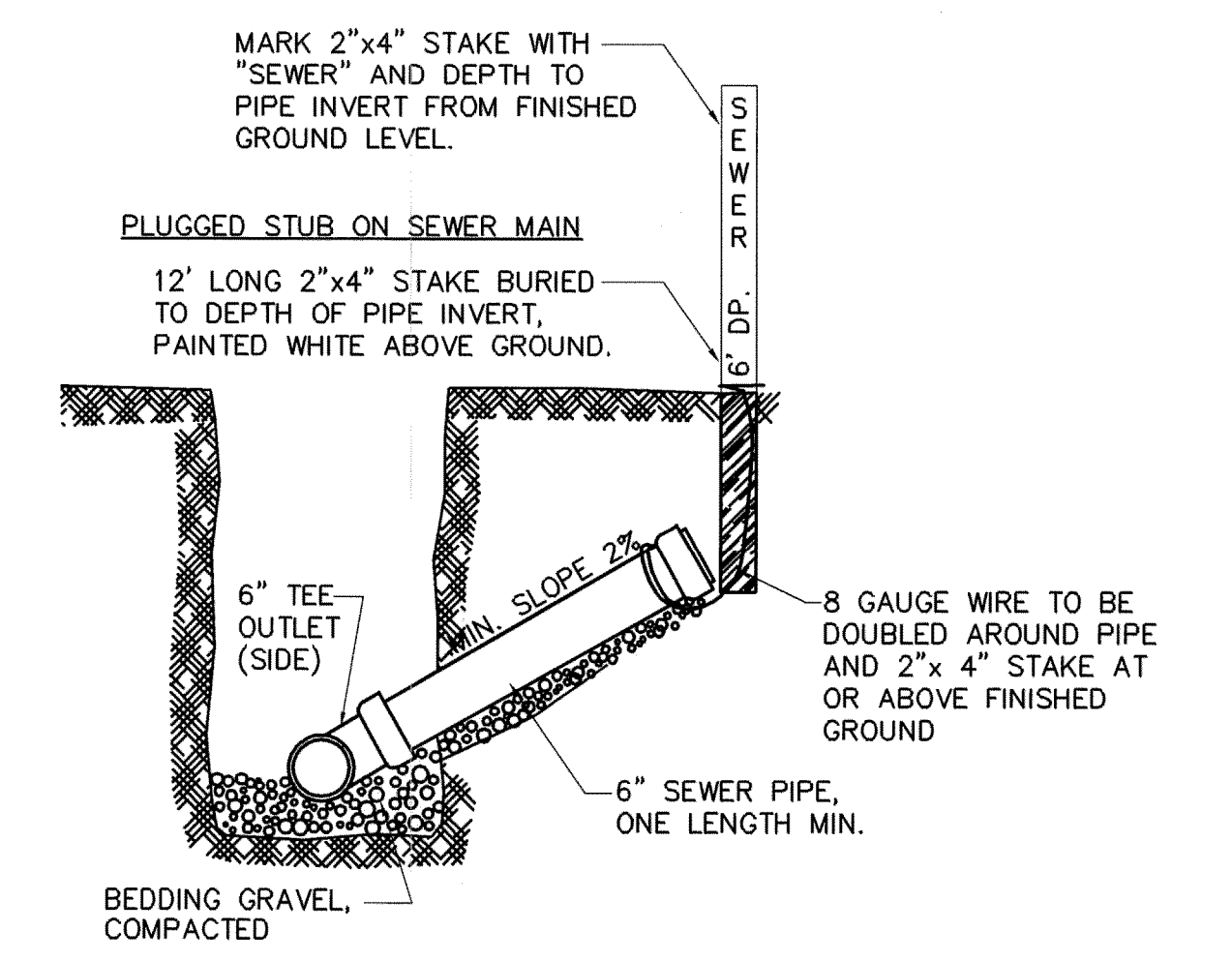
MANHOLE TYPE I

3



MANHOLE FRAMES AND COVERS

4



LOCATOR STAKE

5

- GENERAL NOTES:
- WHERE SIDE SEWER CONNECTS TO MANHOLE: INVERT OF SIDE SEWER SHALL BE EQUAL TO OR ABOVE MAIN SEWER CROWN, BUT NOT TO EXCEED 18" ABOVE INVERT OF MAIN SEWER.
 - UNLESS OTHERWISE INDICATED ON PLAN, SIDE SEWER SHALL BE MIN. OF 6" DEEP AT PROPERTY LINE, OR 5" LOWER THAN THE LOWEST ELEVATION, WHICHEVER IS LOWER.
 - PIPE CAN BE REDUCED TO 4" DIAMETER ON PRIVATE PROPERTY (SEE ENGINEERING STANDARDS FOR EXCEPTIONS).

OLYMPUS TERRACE SEWER DISTRICT
 4902 78th Street SW
 PO Box 91
 Mukilteo, Wa 98275-0091
 (206) 353-6000
 Fax (206) 355-9602

GENERAL NOTES FOR SANITARY SIDE SEWER SPECIFICATIONS

- All work and materials shall be in accordance with applicable standards and specifications of the Olympus Terrace Sewer District, the project specifications, the most recent edition of the A.P.W.A. specifications for road, bridge and municipal construction.
- Side Sewers shall have a minimum grade of 2%.
- PVC pipe shall be a minimum grade SDR35 and shall be fully encased in pea gravel bedding material extending from 4" below to 6" above pipe barrel. No sun yellowed pipe will be allowed.
- Existing utilities, whether shown or not, shall be located prior to construction, so as to avoid damage or disturbance, and the contractor shall assume all responsibility and costs connected therewith to protect, maintain and repair, where necessary. For aid in utility location call 1-800-454-5555, 48 hours (2 working days) prior to beginning construction.
- Olympus Terrace Sewer District shall be notified before any work is performed on the proposed work schedule.
- Datum shall conform to Olympus Terrace Sewer District specifications.
- All PVC pipe shall have tracer wire TWHN or TWHH #12 and sewer tracer tape or magnetic sewer tracer tape. All tracer will have continuity and be physically connected to tracer tape at stub. Tracer will be 18" below ground level.
- All sewer pipe shall be inspected by Olympus Terrace Sewer District prior to backfilling. For inspection, notify Olympus Terrace Sewer District 24 hours (1 working day) prior to inspection time.
- Testing for line acceptance shall include low pressure air test or water test.

480 LIND AVE. S.W.
 RENTON, WA 98055
 PHONE: (425) 251-8811
 FAX: (425) 251-8880
 WEB SITE: PACENG.COM

Pacific Engineering Design, LLC
 Civil Engineering and Planning Consultants

WESTRIDGE (SECTOR 11 PHASE II)
 MUKILTEO, WA
 FOR THE BURNSTADS TRAIL CENTER SUITE 201
 WEST LAKELAND AVENUE, SUITE 201
 BELLEVUE, WA 98005-2935
 PHONE: (425) 454-1900 FAX: (425) 454-4543

PROJECT NO.:	03002
DRAWN BY:	DJW
ISSUE DATE:	02-28-03
SHEET REV.:	09-10-03

OLYMPUS TERRACE SEWER DISTRICT
 DETAILS AND SPECIFICATIONS

03002S03.dwg
C15