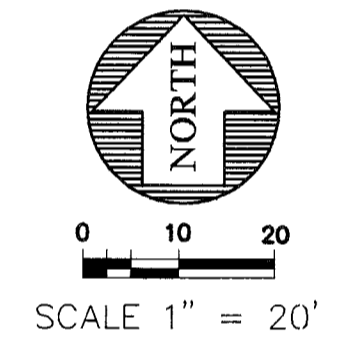
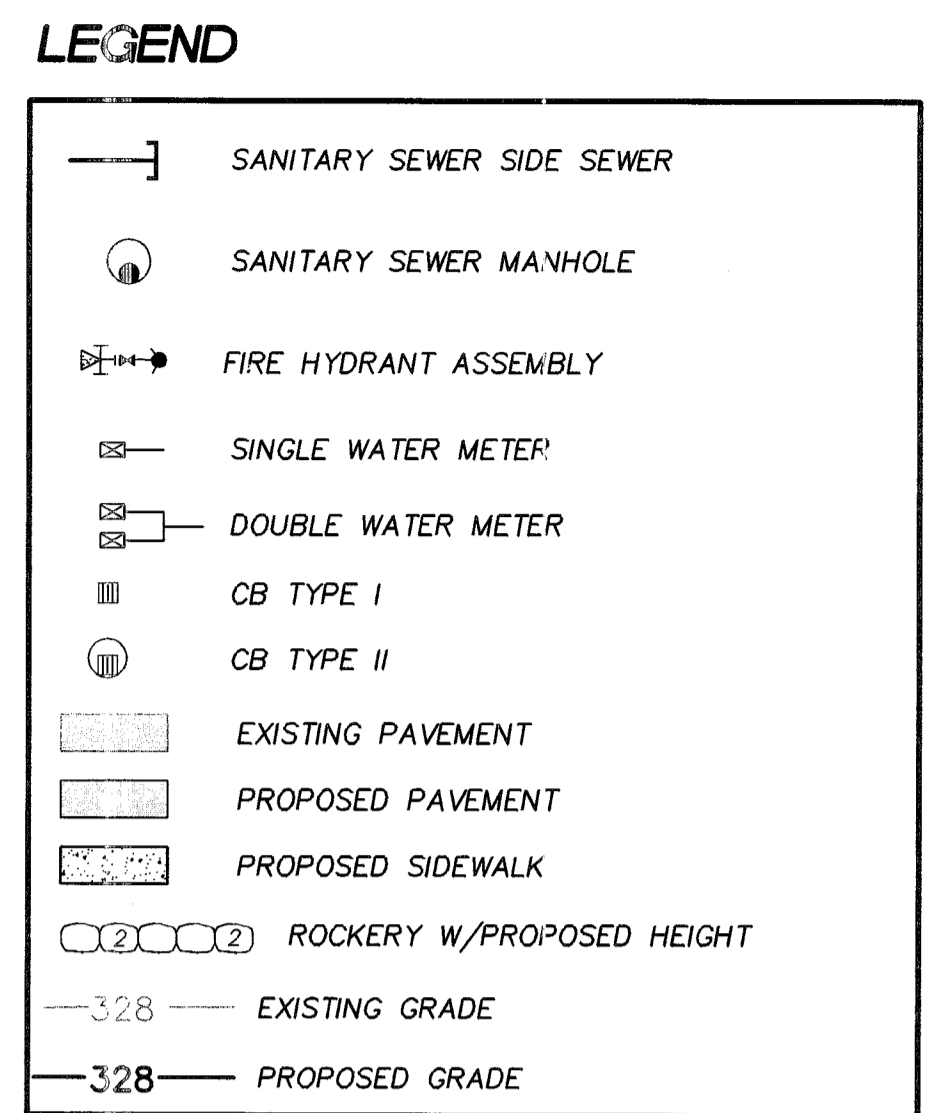
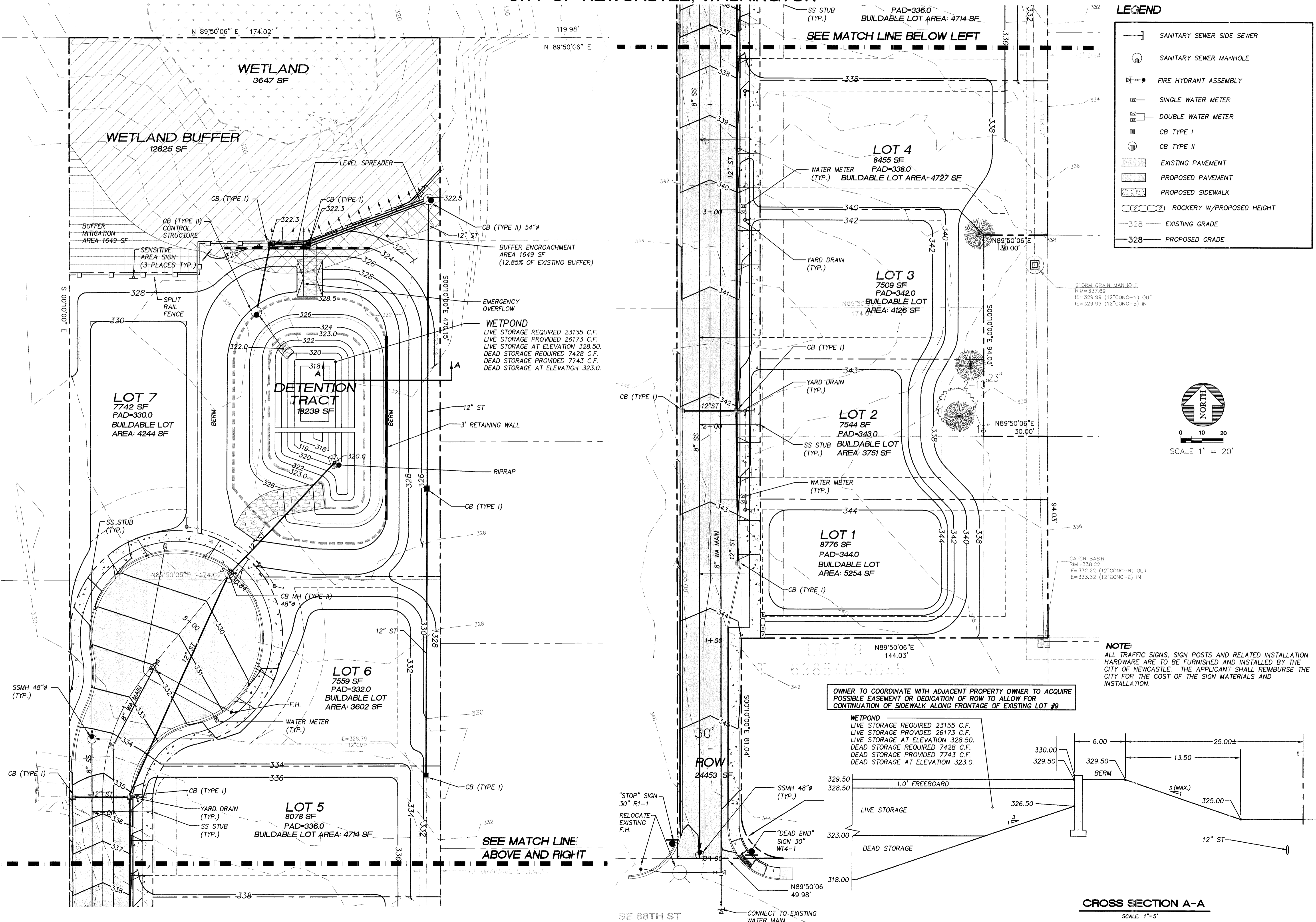


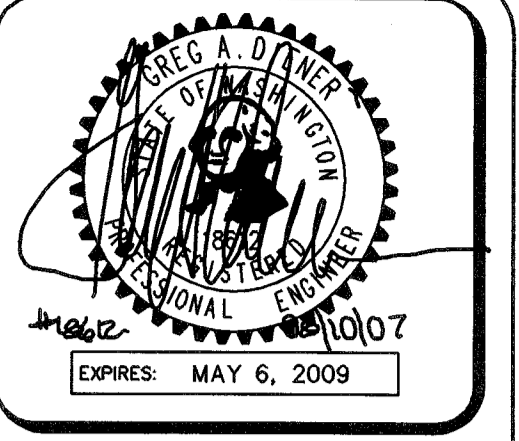
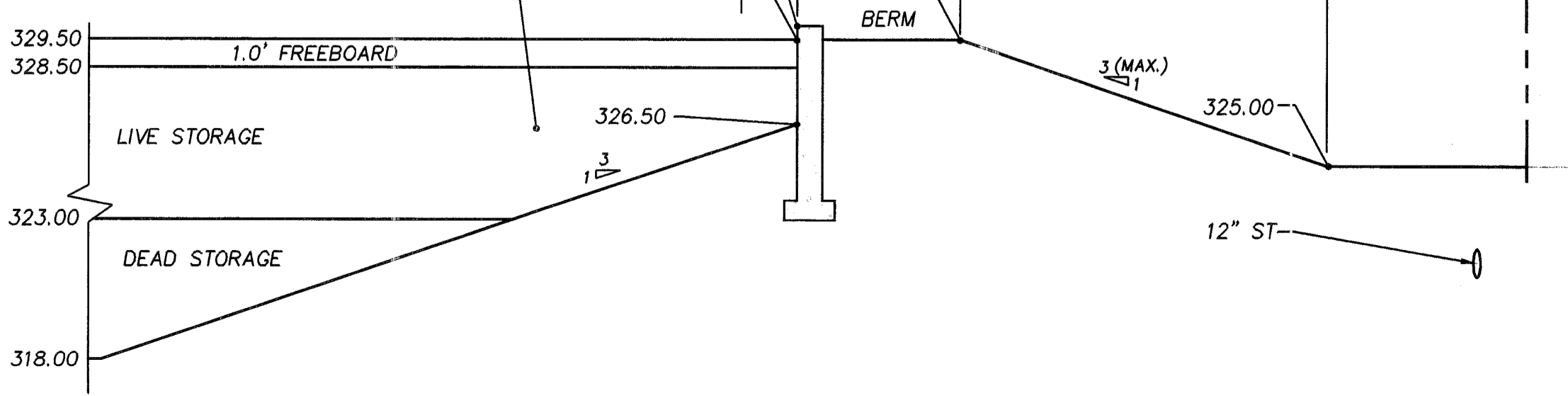
PORTION OF THE SW 1/4 OF THE NW 1/4 OF SEC. 33, TWN. 24N., RGE. 5E., W.M.
CITY OF NEWCASTLE, WASHINGTON



NOTE:
ALL TRAFFIC SIGNS, SIGN POSTS AND RELATED INSTALLATION HARDWARE ARE TO BE FURNISHED AND INSTALLED BY THE CITY OF NEWCASTLE. THE APPLICANT SHALL REIMBURSE THE CITY FOR THE COST OF THE SIGN MATERIALS AND INSTALLATION.

OWNER TO COORDINATE WITH ADJACENT PROPERTY OWNER TO ACQUIRE POSSIBLE EASEMENT OR DEDICATION OF ROW TO ALLOW FOR CONTINUATION OF SIDEWALK ALONG FRONTAGE OF EXISTING LOT #9

WETPOND
LIVE STORAGE REQUIRED 23155 C.F.
LIVE STORAGE PROVIDED 26173 C.F.
LIVE STORAGE AT ELEVATION 328.50
DEAD STORAGE REQUIRED 7428 C.F.
DEAD STORAGE PROVIDED 7743 C.F.
DEAD STORAGE AT ELEVATION 323.0



15445 59RD AVE. S.
SEATTLE, WA 98188
PHONE: (206) 431-7970
FAX: (206) 388-1648
WEB SITE: PACENG.COM

Pacific Engineering Design, LLC
Civil Engineering and Planning Consultants

LAWRENCE PARK (PRELIMINARY PLAT)
CITY OF NEWCASTLE

FOR: MR. SCOTT CAMERON
BENT NOSE, LLC
4-103RD AVENUE NE, SUITE 201
PHOENIX, AZ 85008
PHONE: (480) 453-9885

PROJECT NO.: 05119
DRAWN BY: VK
ISSUE DATE: 10-17-06
SHEET REV.: 08-10-07

PRELIMINARY GRADING, ROAD AND UTILITY PLAN

05119CU01-P04.DWG
P04

08/10/2007 15:29:03 03119CU01-P04 -XES8- by Xerox Corporation 11.0.3