

A PORTION OF SEC 29, TWP 19, RGE 28, W.M. GRANT COUNTY, WASHINGTON



4180 LIND AVE. S.W.
 RENTON, WA 98055
 PHONE: (425) 251-8811
 FAX: (425) 251-8880
 WEB SITE: PACENG.COM

Pacific Engineering Design, LLC
 Civil Engineering and Planning Consultants

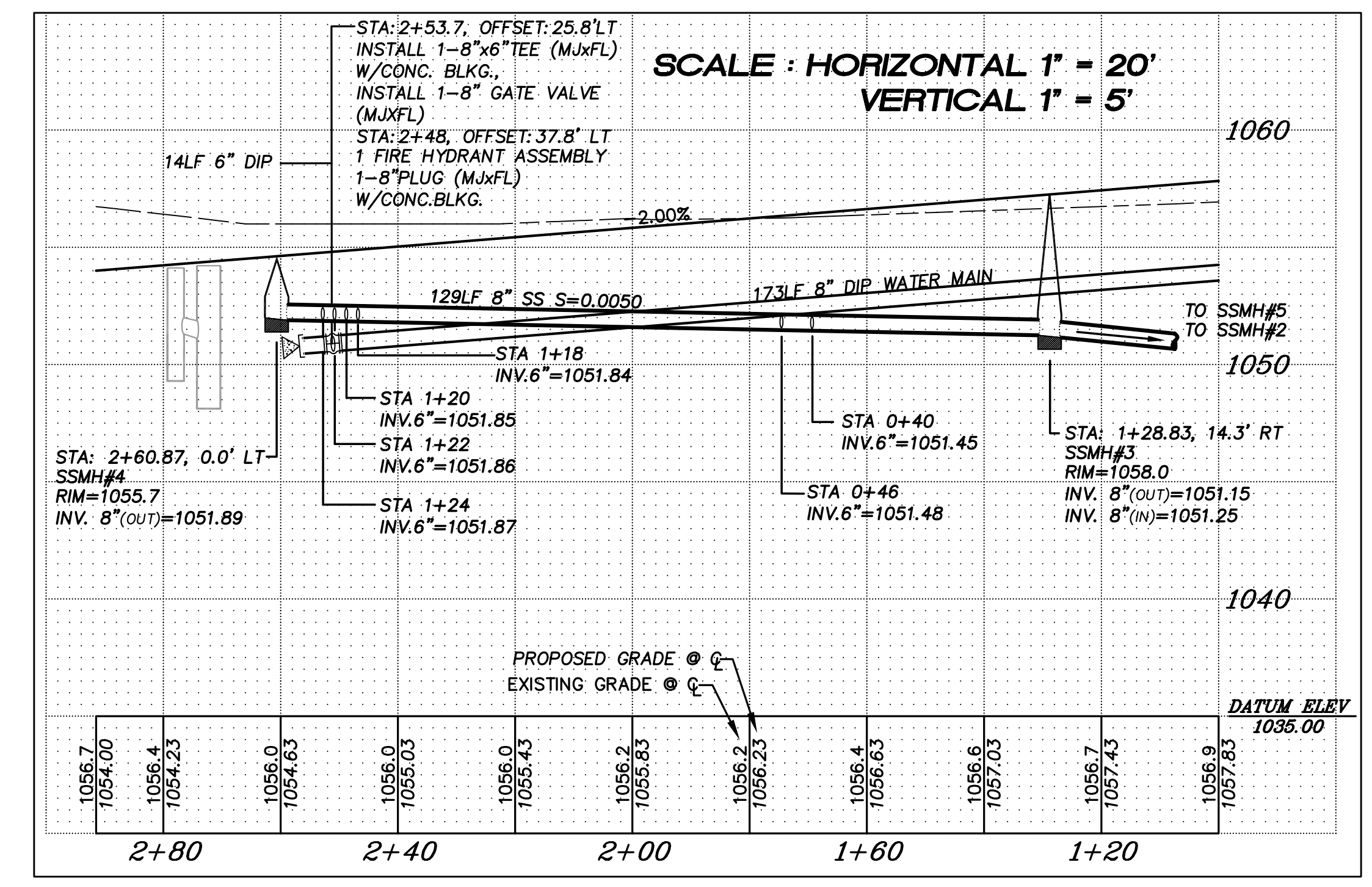
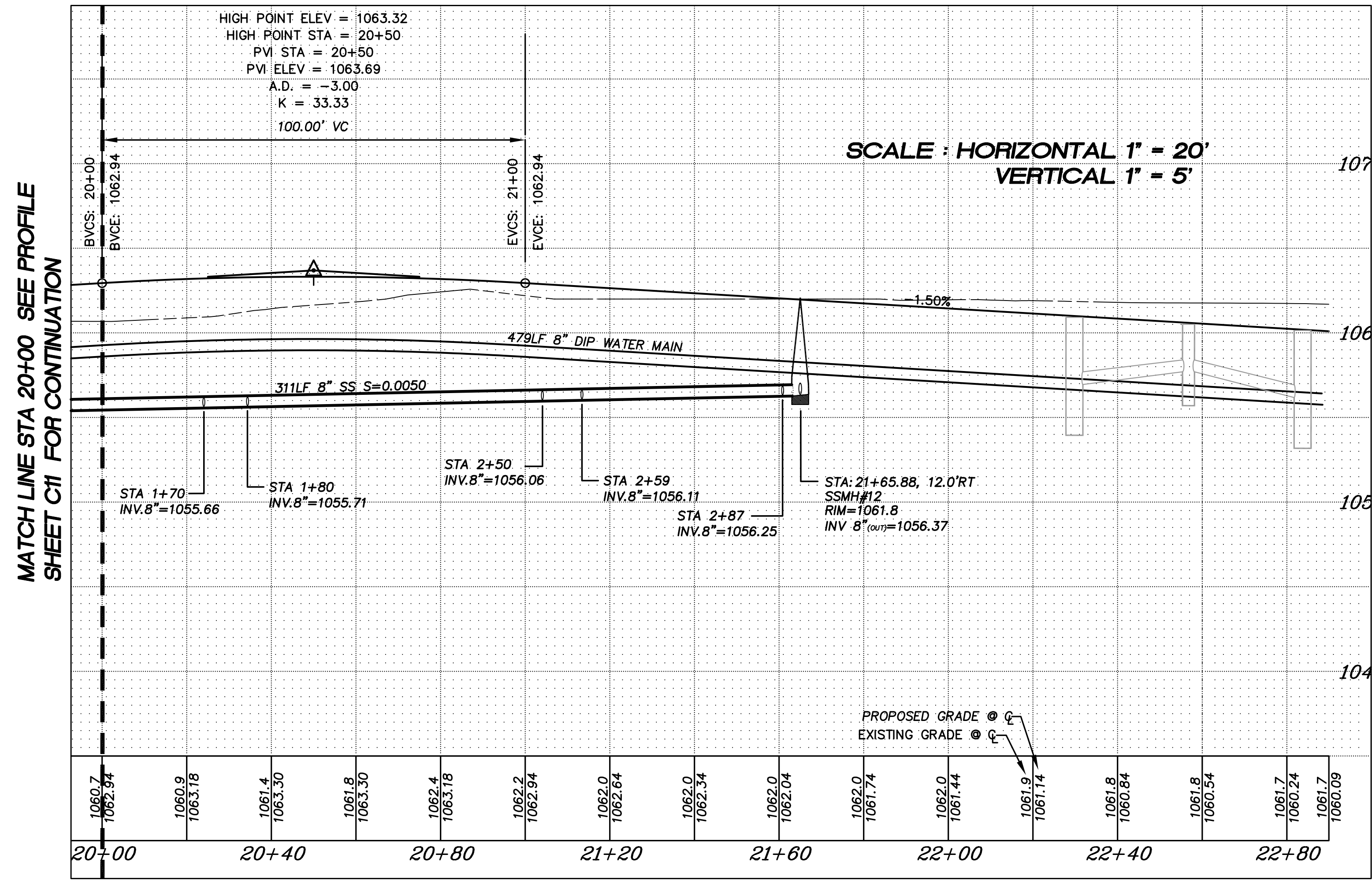
BLUFF WEST
 MOSES LAKE, WA

FOR: SMART HOMES
 ALICIA, WA 98001
 PHONE: (253) 833-7755, FAX: (253) 876-0530

PROJECT NO.: **05063**
 DRAWN BY: **AA**
 ISSUE DATE: **10-26-05**
 SHEET REV.:

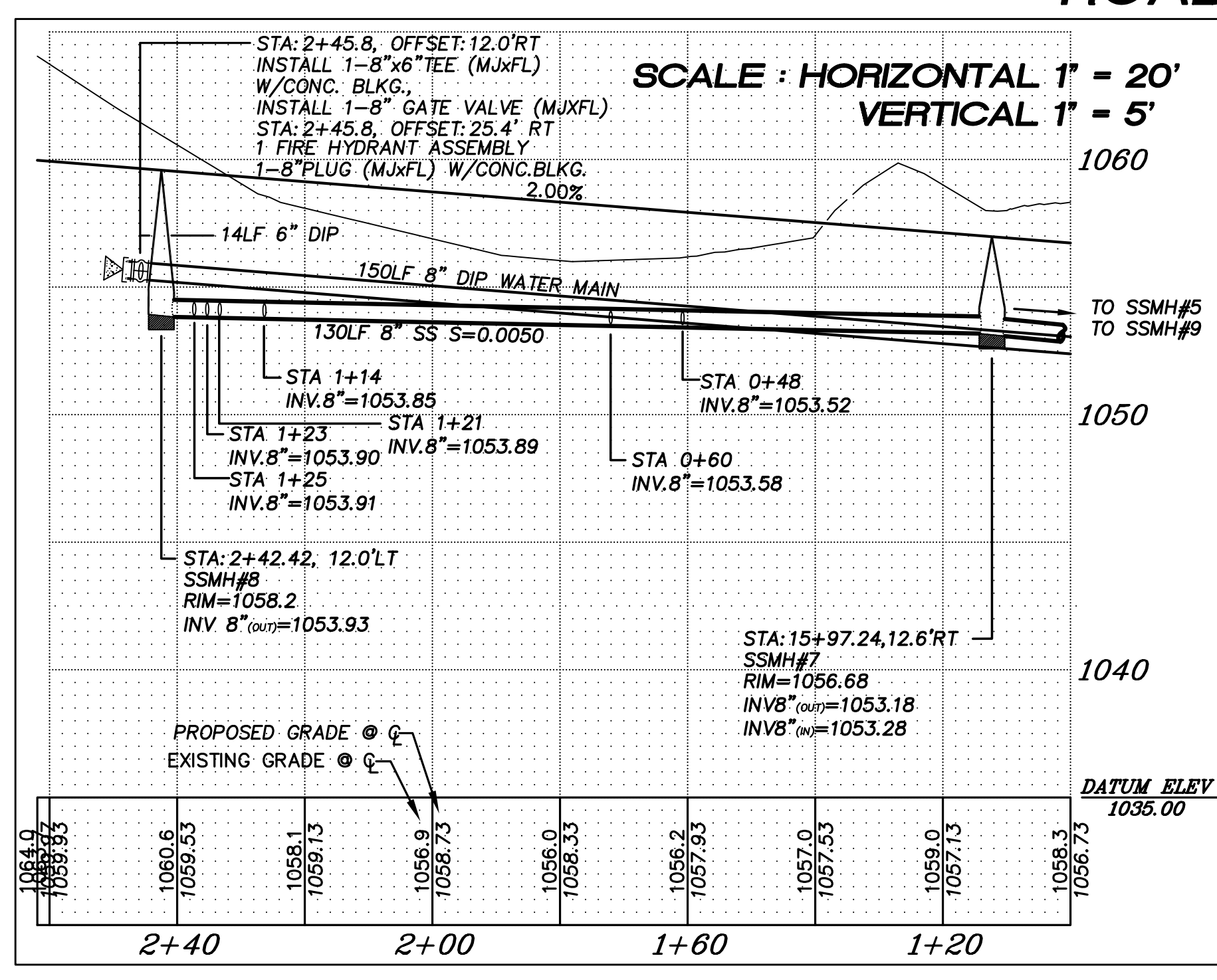
SANITARY SEWER AND WATER PROFILE

05063SW01-C11.DWG
C11

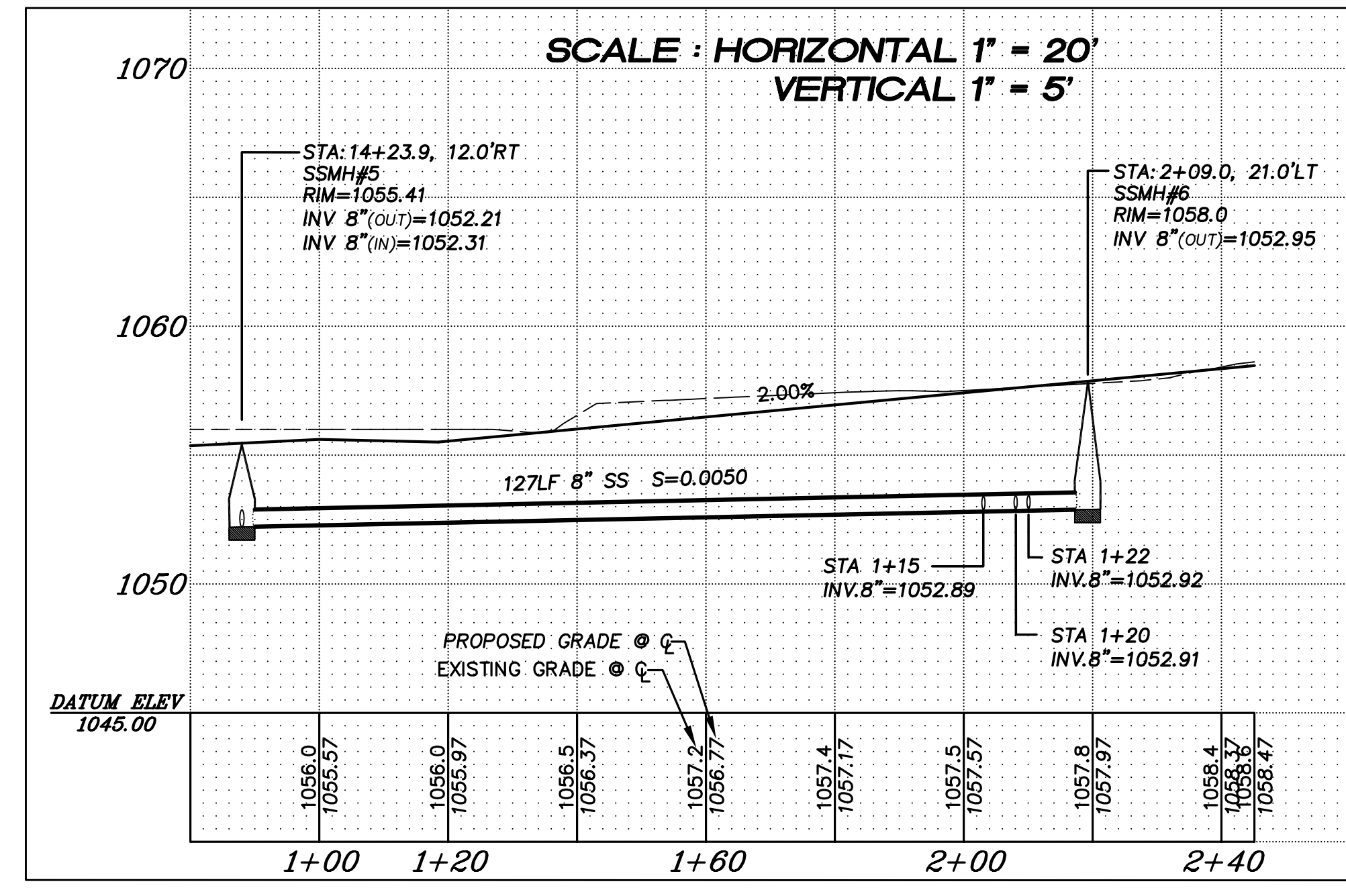


ROAD B

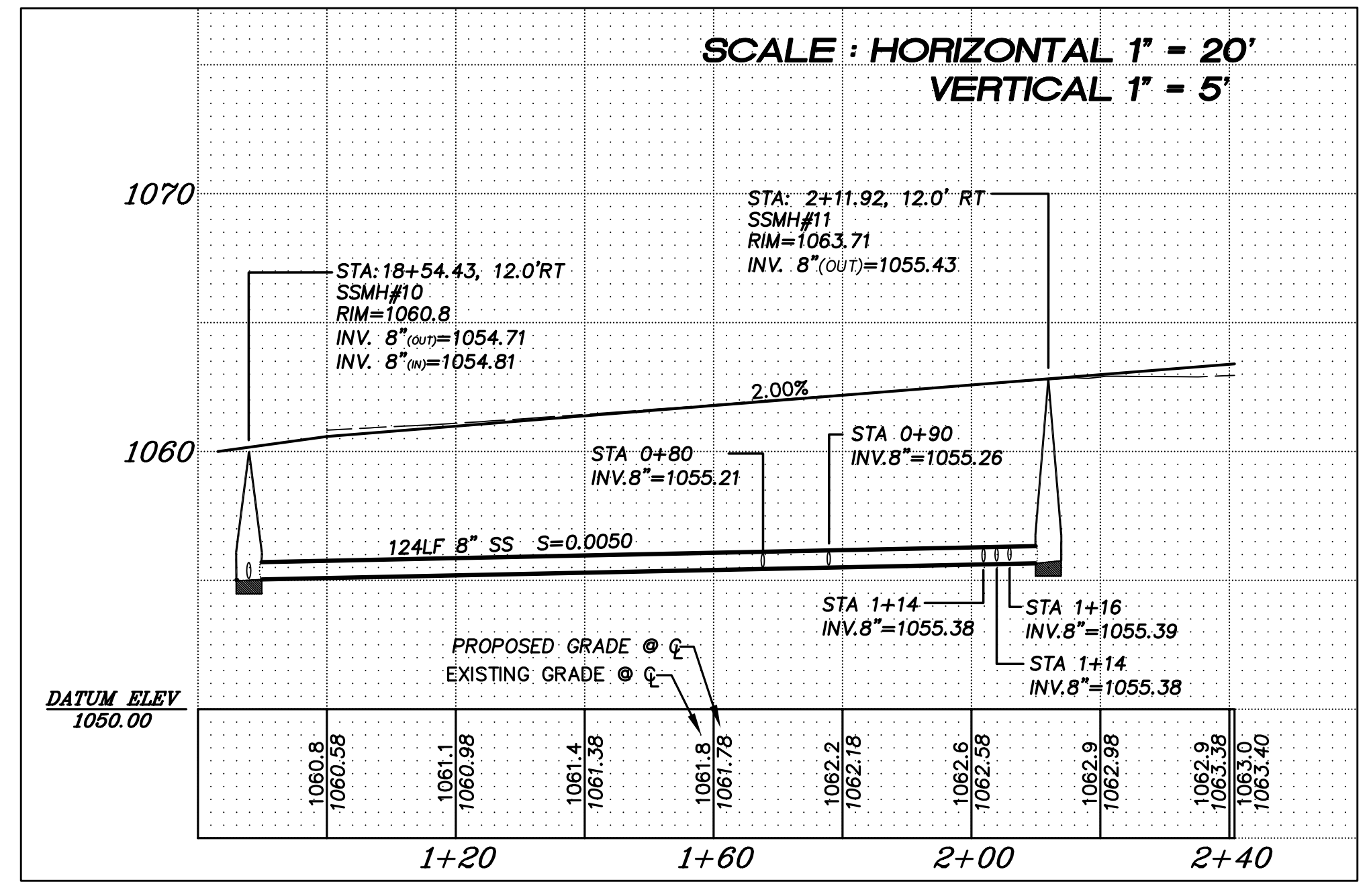
ROAD A



ROAD C



ROAD D



ROAD E