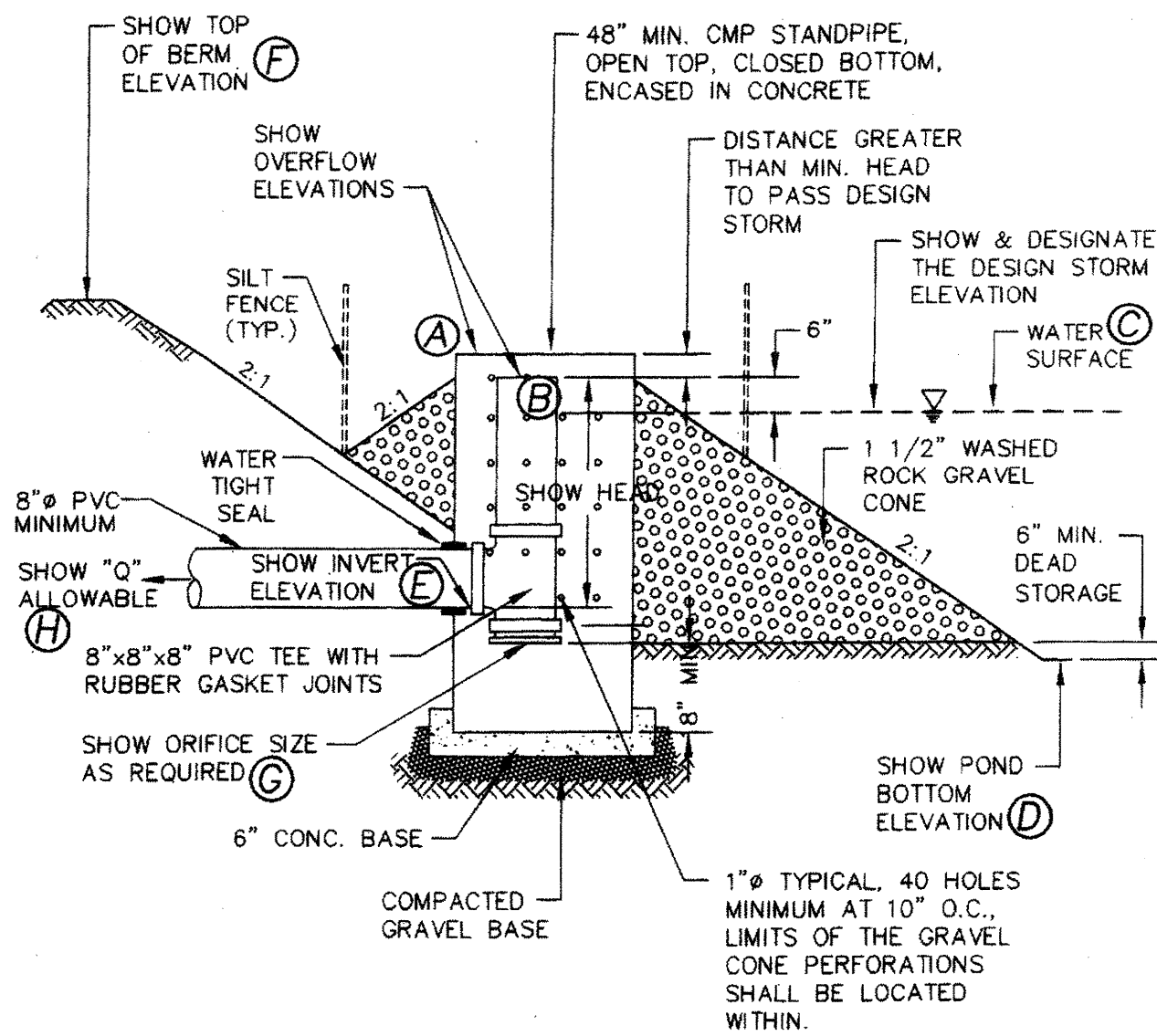
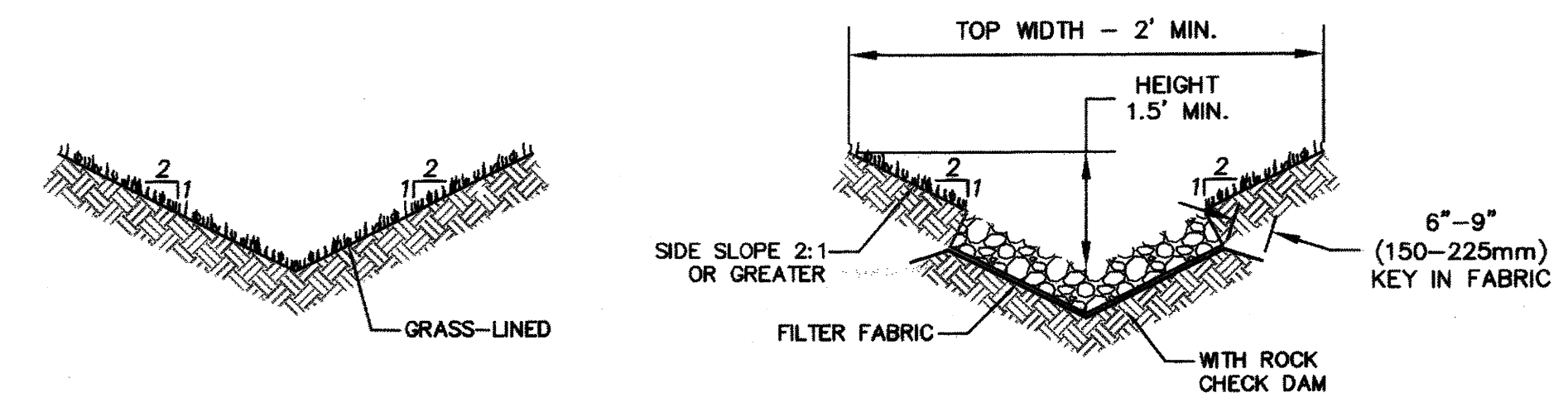


PORTION OF THE SW 1/4, SECTION 32, T. 21 N., R. 5 E., W.M.



ELEV. ITEM	POND 1	POND 2	POND 3	POND 4	POND 5	POND 6	POND 7	POND 8
A	293.00	280.00	320.00	305.00	360.00	355.00	390.00	440.00
B	292.50	279.50	319.50	304.50	359.50	354.50	389.50	439.50
C	292.00	279.00	319.00	304.00	359.00	354.00	389.00	439.00
D	287.50	274.50	314.50	299.50	354.50	349.50	384.50	434.50
E	289.00	276.00	316.00	301.00	356.00	351.00	386.00	436.00
F	293.00	280.00	320.00	305.00	360.00	355.00	390.00	440.00
G	0.7"	0.8"	0.7"	0.8"	0.7"	0.6"	0.8"	0.7"
H	0.04 CFS	0.06 CFS	0.04 CFS	0.06 CFS	0.04 CFS	0.02 CFS	0.06 CFS	0.04 CFS



INTERCEPTOR V-DITCH

NTS. PER COA FIGURE II-C-50 & BMP C200

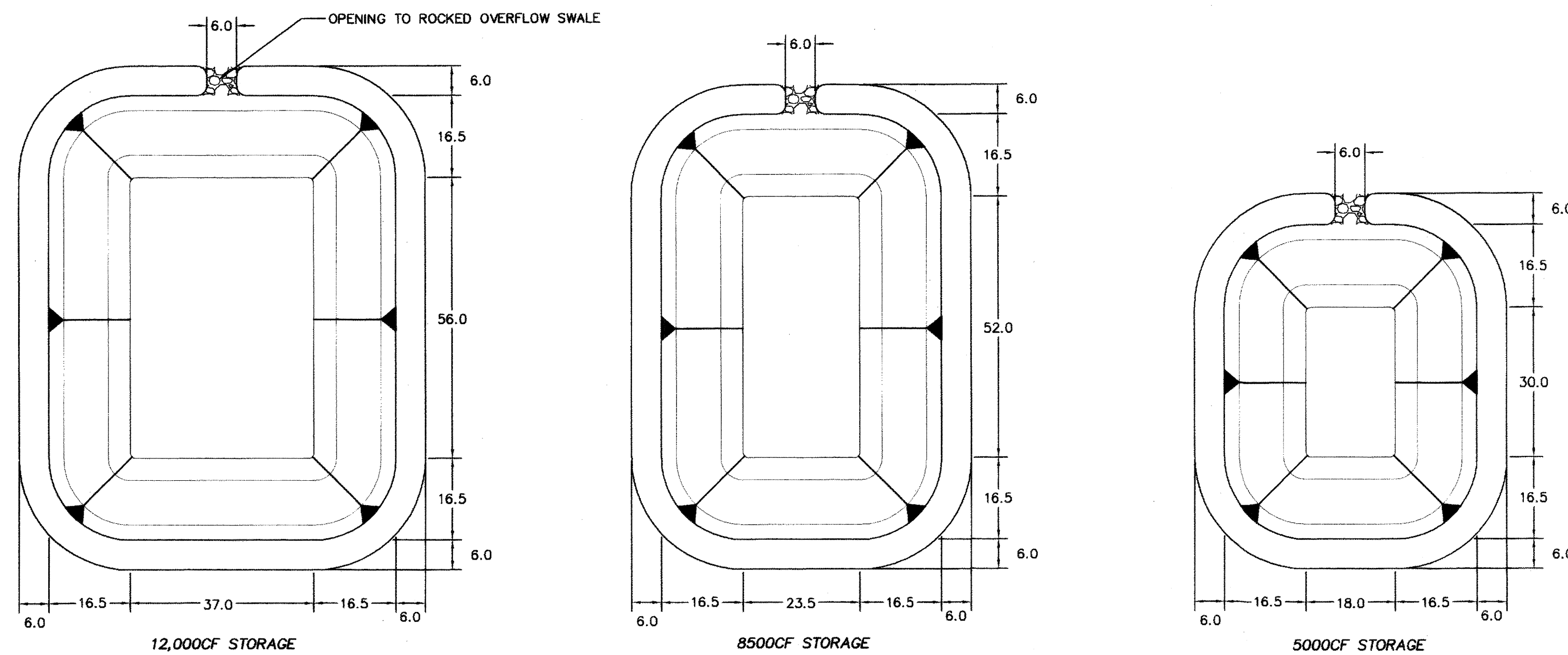
NOTES:

- 1) PROVIDE A RIP RAP LINED SPILLWAY, 6" MINIMUM ABOVE STANDPIPE, OPEN TOP.
- 2) A MULTIPLE PHASE POND SEPARATED BY PERVIOUS GRAVEL WINDOW MAY BE REQUIRED TO CONTROL AND TRAP SEDIMENT, AND TO REDUCE DISCHARGE ENERGY.
- 3) POND CHARACTERISTICS SUCH AS DESIGN VOLUME, INFLOW, OUTFLOW, AND MAXIMUM HEAD SHALL BE SHOWN ON PLANS.
- 4) THE OUTLET PIPE SHALL BE A MINIMUM OF 8".
- 5) INDICATE SEASONAL HIGH GROUND WATER ELEVATION.

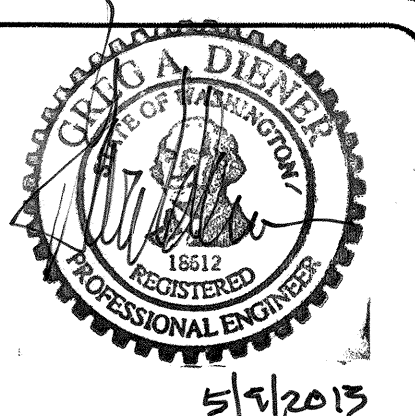
NOTE:  
PER SOILS INVESTIGATION OF THE SITE, SOILS ARE MADE UP OF PRIMARILY OUTWASH SANDS AND GRAVELS. TEST PITS DUG WERE TERMINATED AS DEEP AS 17 FEET WITH NO GROUNDWATER ENCOUNTERED. DUE TO THE OVERALL CUTS BEING PERFORMED FOR THIS DEVELOPMENT, GROUNDWATER (IF ENCOUNTERED) WILL BE DEALT WITH ON AN INDIVIDUAL BASIS.

EROSION DISCHARGE CONTROL STRUCTURE

NTS. PER COA STORM-04



INTERMEDIATE SEDIMENT TRAP



15445 53RD AVE. S.  
SEATTLE, WA 98188  
PHONE: (206) 431-7970  
FAX: (206) 388-1648  
WEB SITE: PACENG.COM

Pacific  
Engineering  
Design, LLC  
Civil Engineering and  
Planning Consultants

LAKELAND HILLS ESTATES  
CITY OF AUBURN  
FOR: DENOVA NORTHWEST, LLC  
C/O MILLENNIAL BUILDERS  
1800 1ST AVENUE, SUITE 100  
SEATTLE, WA 98101  
PHONE: (206) 432-3884  
FAX: (206) 296-9519

PROJECT NO.: 12022  
DRAWN BY: ENM  
ISSUE DATE: 07-17-07  
SHEET REV.: 3-20-2013

TEMPORARY  
EROSION AND  
SEDIMENT  
CONTROL DETAILS

RECORD DRAWING CERTIFICATION  
THESE DRAWINGS CONFORM TO THE CONTRACTOR'S  
CONSTRUCTION RECORDS.  
BY: \_\_\_\_\_ DATE \_\_\_\_\_  
TITLE/POSITION: \_\_\_\_\_  
CONFIRMED BY CITY: \_\_\_\_\_ DATE \_\_\_\_\_

PROJECT REF: FAC07-0016  
15 May 10, 2013  
THESE PLANS ARE "APPROVED" FOR CONFORMANCE WITH  
THE CITY OF AUBURN'S ENGINEERING DIVISION  
REQUIREMENTS.  
APPROVED BY: *Dennis Solle*  
DATE APPROVED: 5/15/13

05056TE03-C07.DWG  
**C14**  
SHEET 14 OF 55