

PORTION OF THE S.E. 1/4, S.E. 1/4, SECTION 4, TOWNSHIP 23 NORTH, RANGE 5 EAST, W.M.

DATE: \_\_\_\_\_ FILEBOOK: \_\_\_\_\_ PAGE: \_\_\_\_\_ DRAWING NO.: C03 OF 29 SHEET 3 OF 29

REEDSHAW PLAT

TEMPORARY EROSION AND SEDIMENTATION CONTROL DETAILS

CITY OF RENTON

VERTICAL AND HORIZONTAL SCALE: NONE

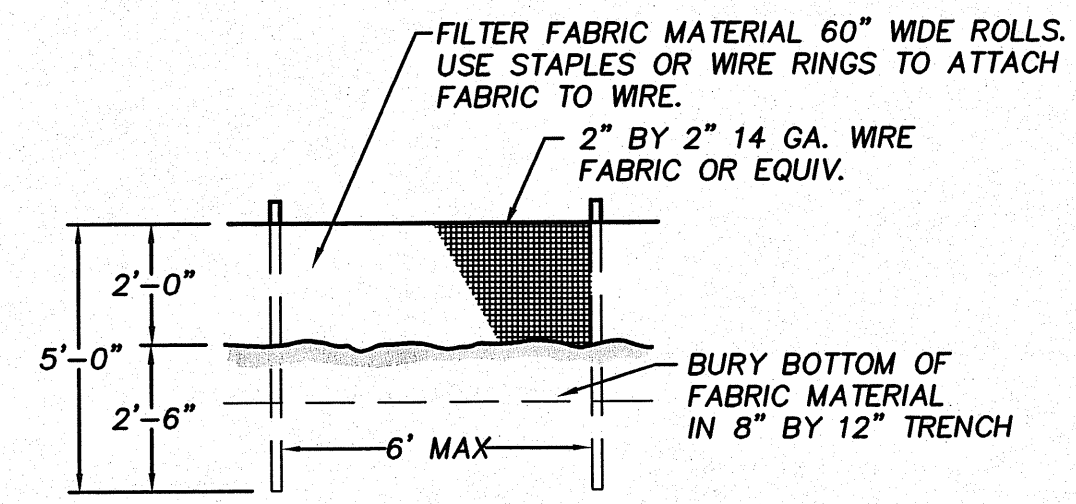
SCALE: ONE INCH = FIVE FEET

DESIGNED: LEL DRAWN: VK CHECKED: GAD APPROVED: \_\_\_\_\_

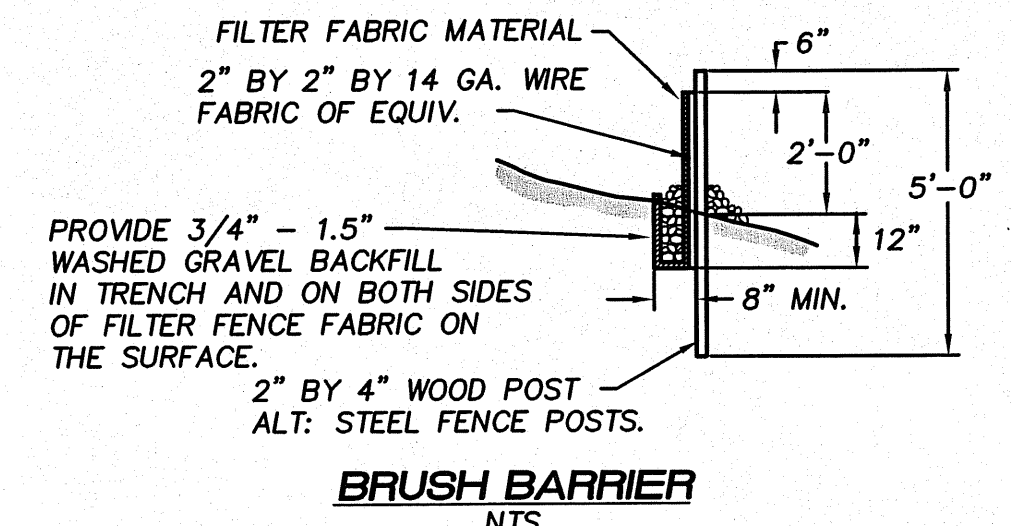
DATE: \_\_\_\_\_

PER CITY OF RENTON COMMENTS

NO. \_\_\_\_\_



- NOTES:**
- FOR SHEET RUNOFF OR FOLLOWING DISCHARGE FROM A SEDIMENT TRAP OR POND.
  - MAXIMUM SLOPE STEEPNESS PERPENDICULAR TO FENCE LINE IS 1:1.
  - MAXIMUM SHEET OR OVERLAND FLOW PATH LENGTH TO THE FENCE OF 100 FT.
  - IF 50% OR LESS OF THE SOIL, BY WEIGHT, IS FINE PARTICLES SMALLER THAN THE U.S. STANDARD SIEVE NO. 200, THE EOS SHOULD BE EQUAL TO OR SMALLER THAN THE SIEVE SIZE THAT 85% OF THE SOIL CAN PASS THROUGH.
  - THE TRENCH SHALL BE BACKFILLED WITH 3/4" MINIMUM DIAMETER WASHED GRAVEL.
  - FILTER FABRIC FENCES SHALL BE REMOVED WHEN THEY HAVE SERVED THEIR USEFUL PURPOSE, BUT NOT BEFORE THE UPSLOPE AREA HAS BEEN PERMANENTLY STABILIZED.
  - FILTER FABRIC FENCES SHALL BE INSPECTED IMMEDIATELY AFTER EACH RAINFALL AND AT LEAST DAILY DURING PROLONGED RAINFALL. ANY REPAIRS SHALL BE MADE IMMEDIATELY.

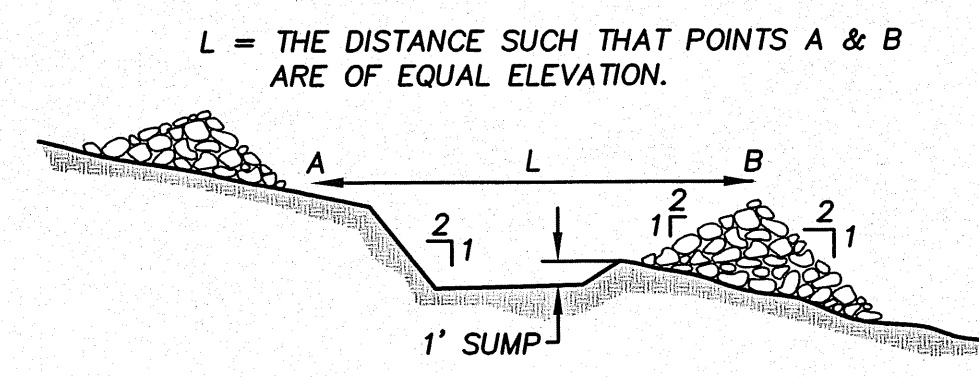


**BRUSH BARRIER**  
NTS

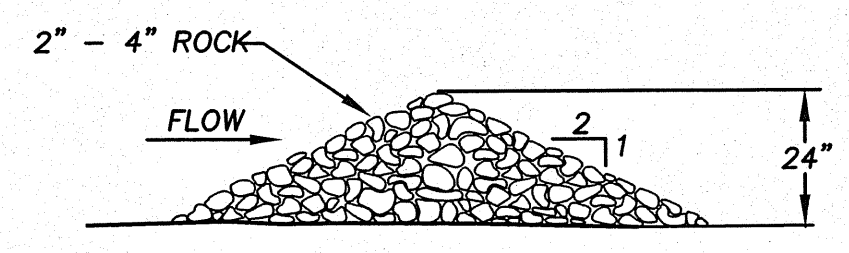


ADOPTED  
CITY OF RENTON  
Standard plans  
LST DATE: 12/96

**FILTER FABRIC FENCE DETAIL**  
DWG. NAME : BR21 SP. PAGE : B066



**SPACING BETWEEN CHECK DAMS**  
NTS

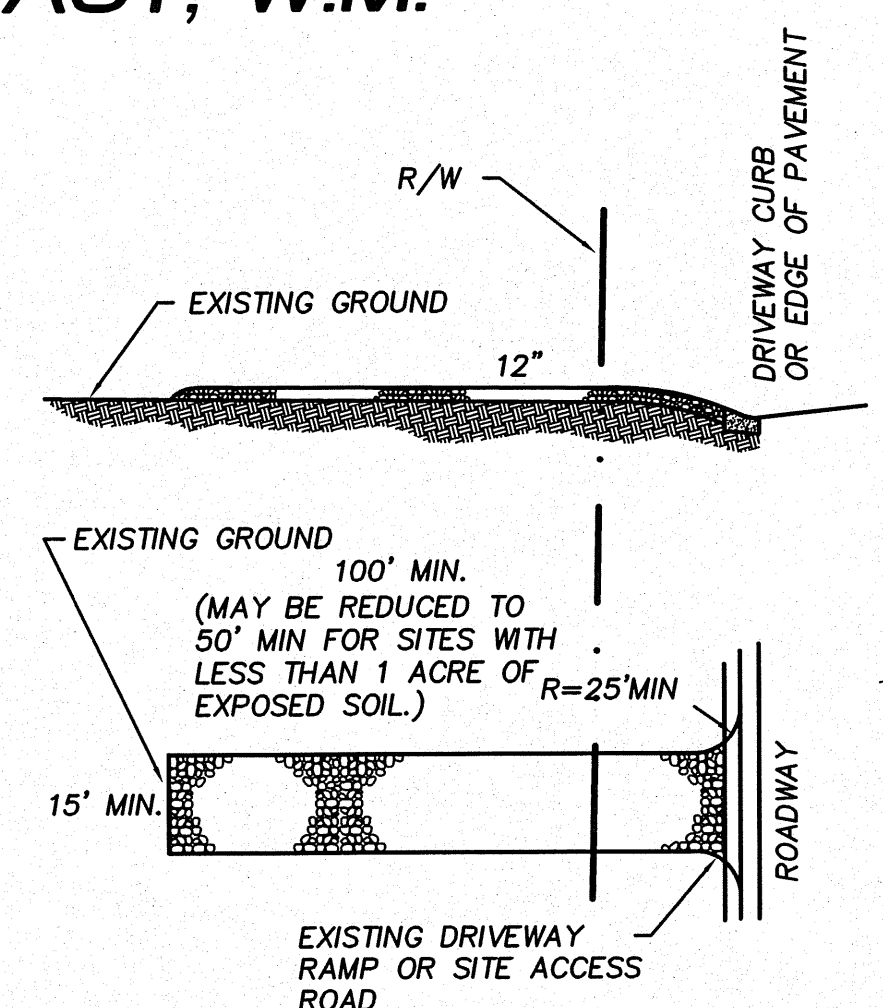


**ROCK CHECK DAM**  
NTS



ADOPTED  
CITY OF RENTON  
Standard plans  
LST DATE: 12/96

**CHECK DAMS**  
DWG. NAME : BR20 SP. PAGE : B067



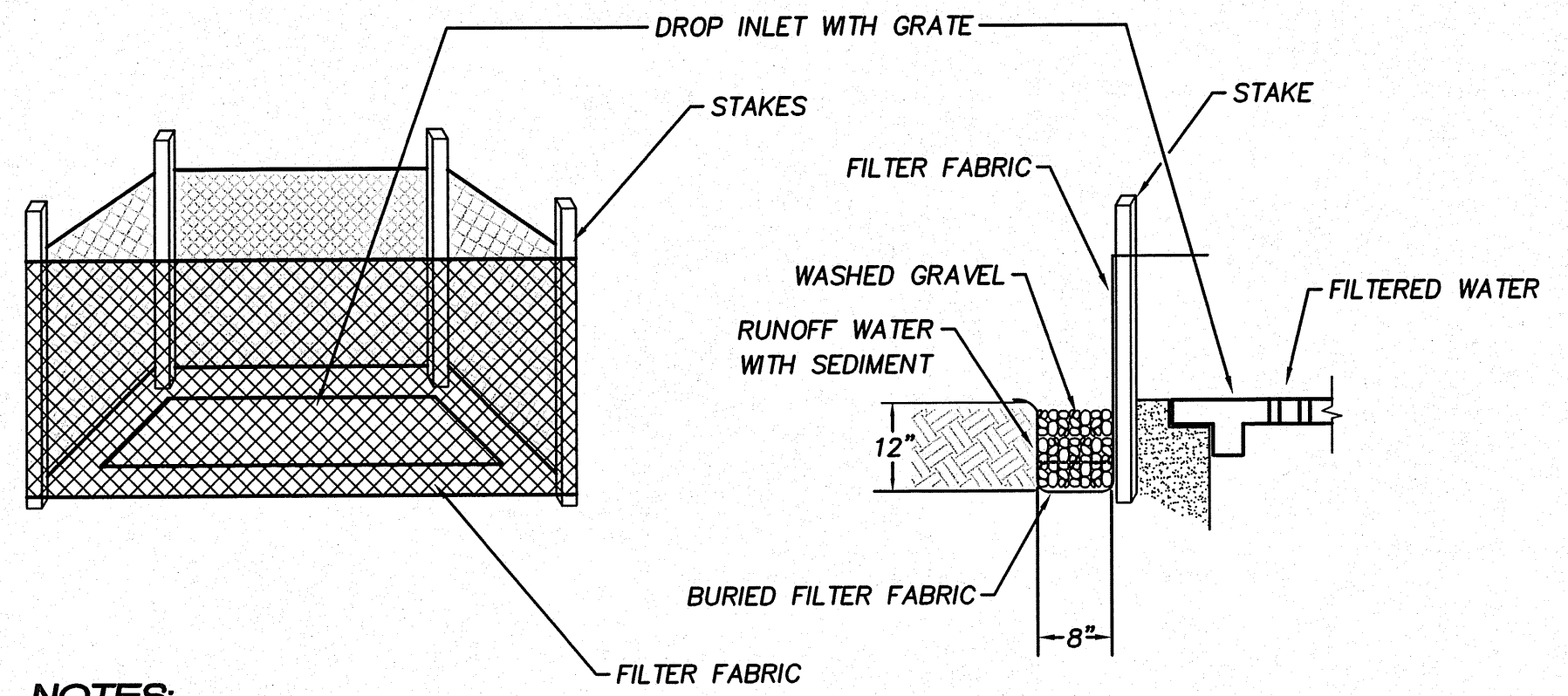
- Use 4" to 8" quarry spalls or crushed rock for surfacing as shown. Material with 'fines' is not acceptable.
- The 100' minimum length shall be lengthened as necessary to insure material is not tracked into the public right-of-way.

**PLAN**  
NTS



ADOPTED  
CITY OF RENTON  
Standard plans  
LST DATE: 12/96

**TEMPORARY CONSTRUCTION ENTRANCE**  
DWG. NAME : BR23 SP. PAGE : B068

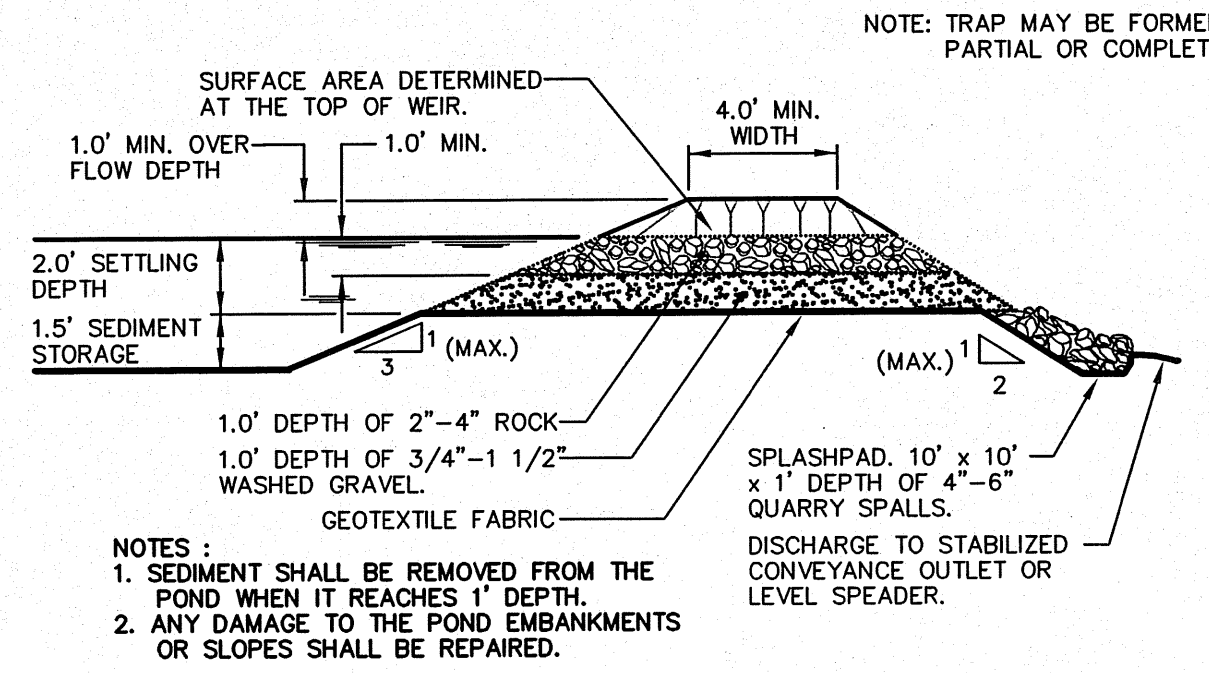


- NOTES:**
- EXTEND THE FILTER FENCE/WIRE MESH BEYOND THE INLET OPENING AT LEAST 18" ON ALL SIDES.
  - PLACE 3/4" TO 3" GRAVEL OVER THE FILTER FABRIC/WIRE MESH. THE DEPTH OF GRAVEL SHOULD BE AT LEAST 12" OVER THE ENTIRE INLET OPENING.
  - IF THE GRAVEL FILTER BECOMES CLOGGED WITH SEDIMENT, THE GRAVEL MUST BE PULLED AWAY FROM THE INLET AND CLEANED OR REPLACED. AN ALTERNATIVE APPROACH WOULD BE TO USE THE CLOGGED GRAVEL AS FILL AND PUT FRESH GRAVEL AROUND THE INLET.



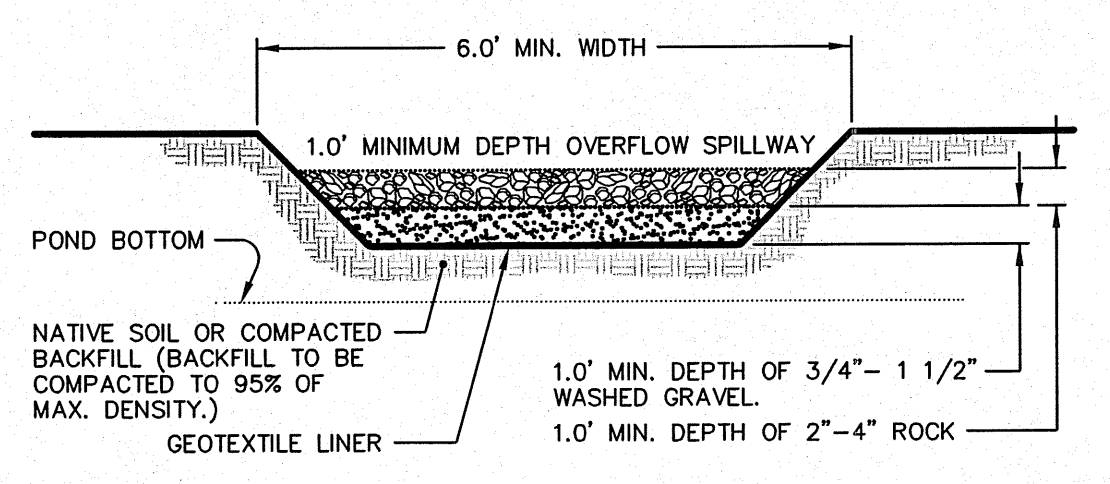
ADOPTED  
CITY OF RENTON  
Standard plans  
LST DATE: 12/96

**FILTER FABRIC FENCE INLET BARRIER**  
DWG. NAME : BR22A SP. PAGE : B069.1



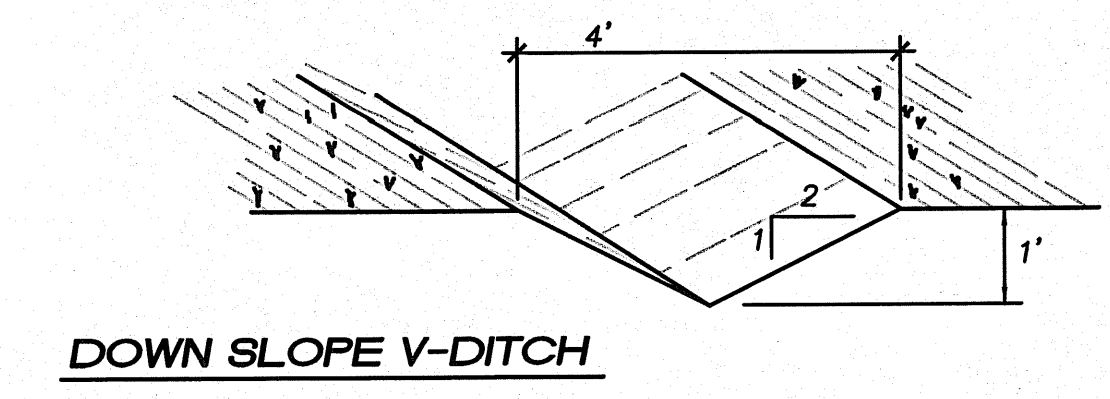
- NOTES:**
- SEDIMENT SHALL BE REMOVED FROM THE POND WHEN IT REACHES 1' DEPTH.
  - ANY DAMAGE TO THE POND EMBANKMENTS OR SLOPES SHALL BE REPAIRED.

**TEMPORARY EROSION CONTROL POND OUTFALL**

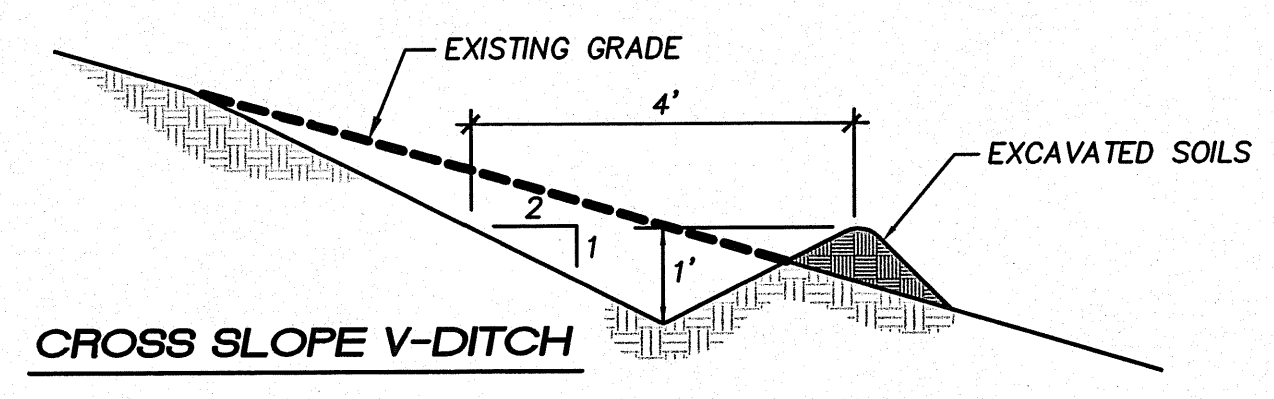


MAXIMUM FLOW RATE OF 500 GPM, INSERTS WILL NOT CAUSE PONDING. FITS ANY SIZE CATCHBASIN UP TO 30" x40".

**CATCH BASIN INSERT**



**DOWN SLOPE V-DITCH**



**CROSS SLOPE V-DITCH**

**V-DITCH**

**R-337203**

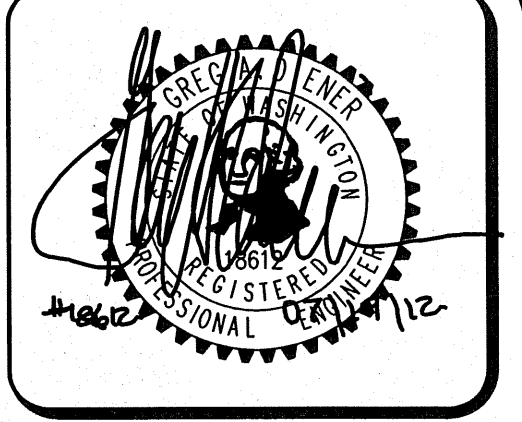
CHECKED FOR COMPLIANCE TO CITY STANDARDS

\_\_\_\_ Date \_\_\_\_\_ BY: \_\_\_\_\_

\_\_\_\_ Date \_\_\_\_\_ BY: \_\_\_\_\_

\_\_\_\_ Date \_\_\_\_\_ BY: \_\_\_\_\_

RECOMMENDED FOR APPROVAL



15445 53RD AVE. S.  
SEATTLE, WA 98188  
PHONE: (206) 431-7970  
FAX: (206) 388-1648  
WEB SITE: PACENG.COM

**Pacific Engineering Design, LLC**  
Civil Engineering and Planning Consultants

REEDSHAW PLAT

RENTON, WA

FOR: COLLIDUS DEVELOPMENT INC.  
16838 SE 48TH STREET  
ISSAQUAH, WA 98027  
PHONE: (425) 818-8829 FAX: (425) 818-8843

PROJECT NO.: 12007

DRAWN BY: VK

ISSUE DATE: 12/05/06

SHEET REV.: 07/19/2012

TEMPORARY EROSION AND SEDIMENTATION CONTROL DETAILS

06085TE02-C03.DWG

**C03**

SHEET 3 OF 29