

15445 53RD AVE. S.
SEATTLE, WA 98188
PHONE: (206) 431-7970
FAX: (206) 388-1648
WEB SITE: PACENG.COM

Pacific Engineering Design, LLC

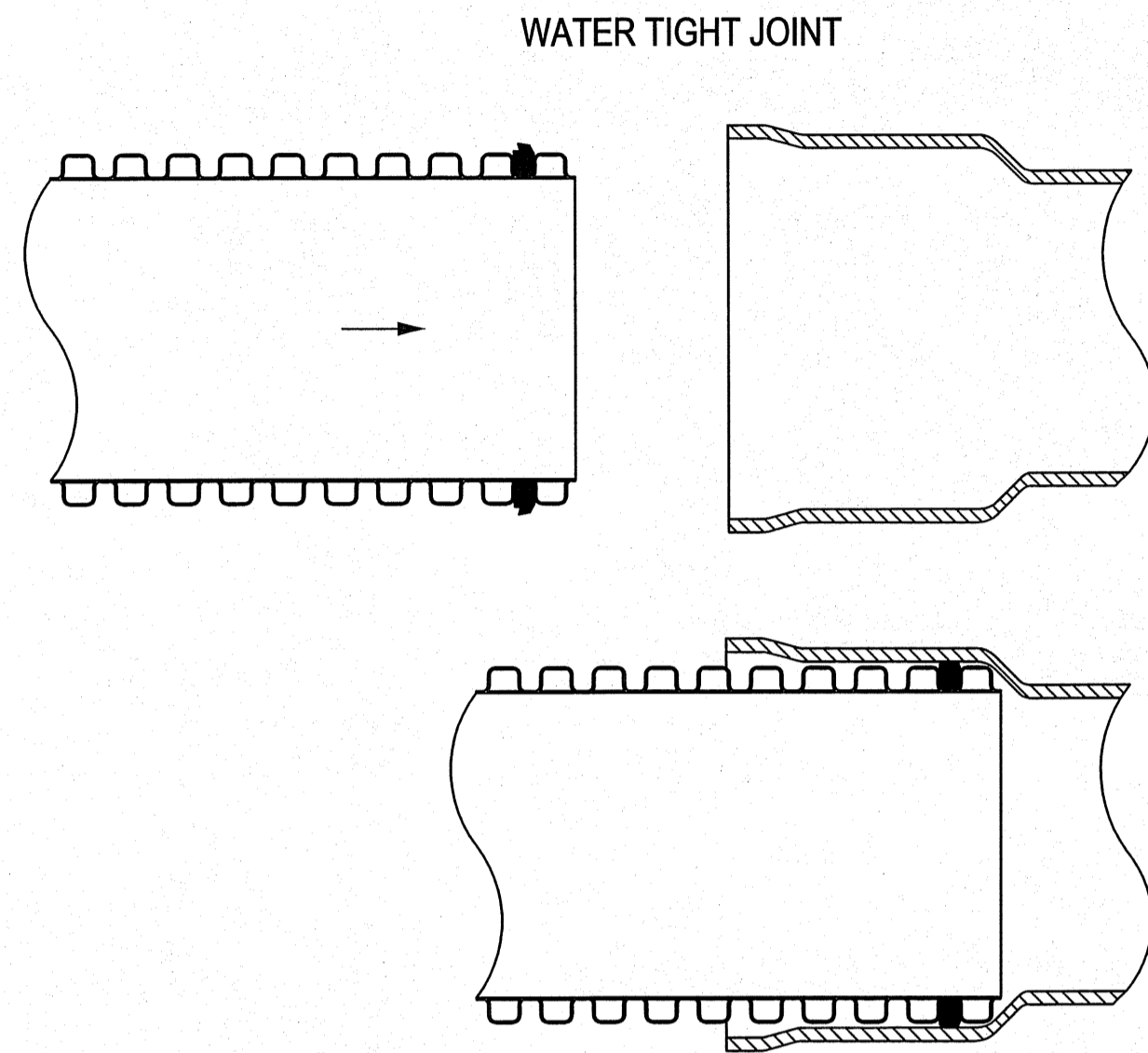
Civil Engineering and Planning Consultants

CITY OF SEATTLE, WA
UPS - SEATTLE HUB
FOR: UNITED PARCEL SERVICE
4455 7TH AVE. S.
SEATTLE, WA 98108

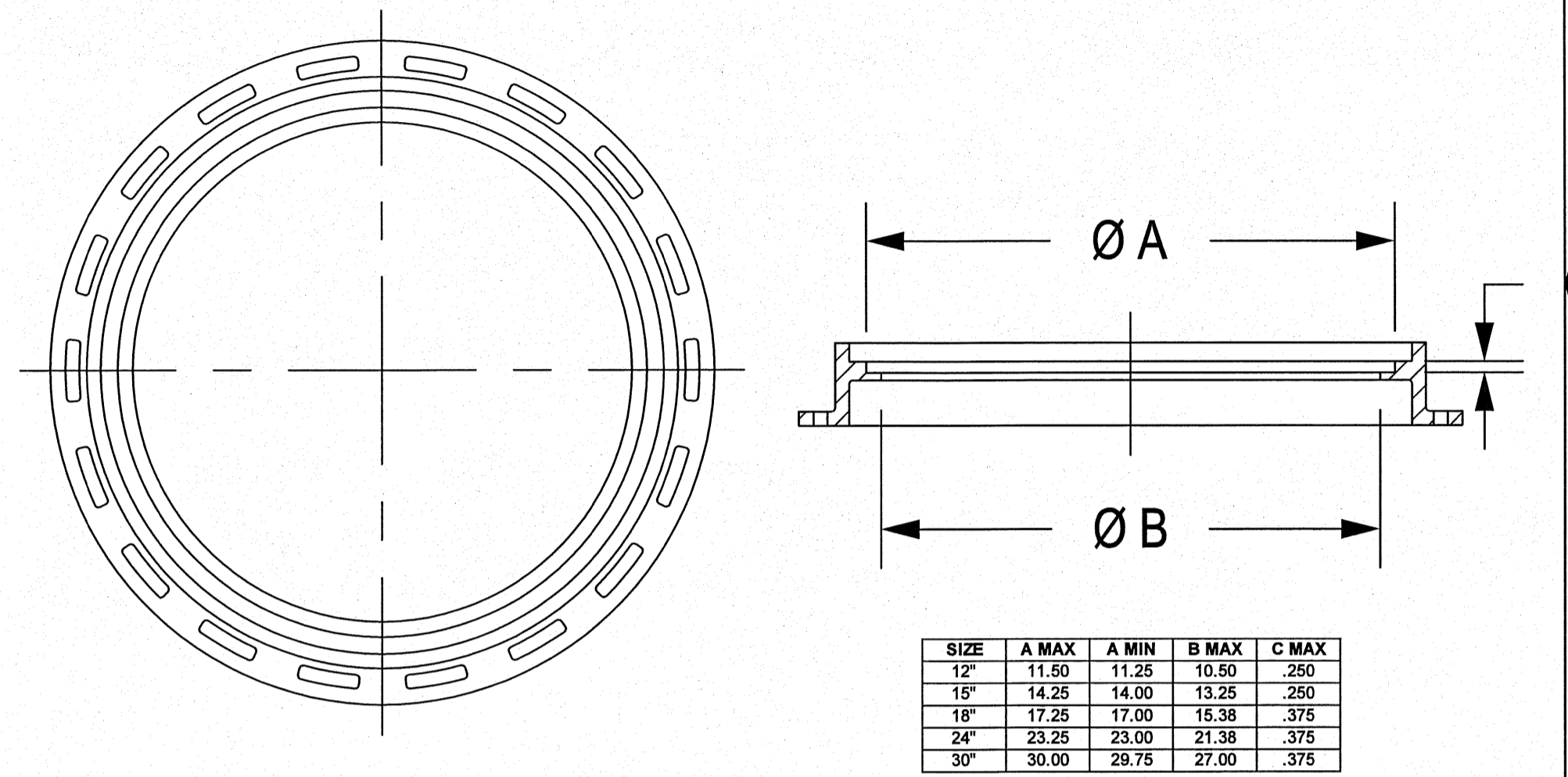
PROJECT NO.: 11057
DRAWN BY: ENM
ISSUE DATE: 6/15/2012
SHEET REV.:

NOTES AND DETAILS

11057D01.DWG
C07
SHEET 07 OF 08

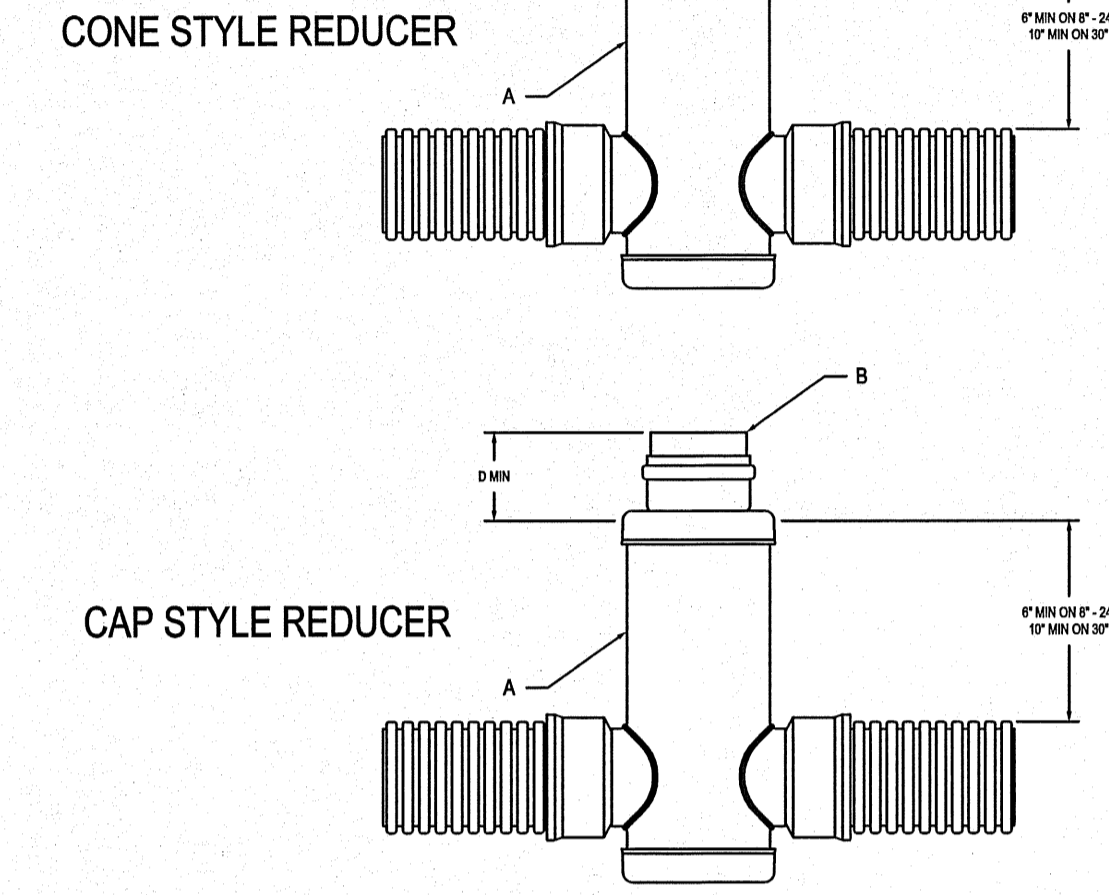


WATER TIGHT JOINT



SIZE	A MAX	A MIN	B MAX	C MAX
12"	11.50	11.25	10.50	.250
15"	14.25	14.00	13.25	.250
18"	17.25	17.00	16.38	.375
24"	23.25	23.00	21.38	.375
30"	30.00	29.75	27.00	.375

A	B	C	D
10"	8"	6.00	9.00
12"	8"	12.00	9.00
12"	10"	6.00	10.00
15"	8"	18.50	9.00
15"	10"	12.50	10.00
15"	12"	6.50	11.00
18"	8"	25.50	9.00
18"	10"	19.50	10.00
18"	12"	13.50	11.50
18"	15"	7.00	12.00
24"	8"	36.50	9.00
24"	10"	30.50	10.00
24"	12"	24.50	11.00
24"	15"	18.00	12.00
24"	18"	11.00	13.00
30"	8"	46.50	9.00
30"	10"	40.50	10.00
30"	12"	34.50	11.50
30"	15"	28.00	12.00
30"	18"	21.00	14.50
30"	24"	10.00	16.00



CONE STYLE REDUCER

CAP STYLE REDUCER

NOTE: DIMENSIONS ARE FOR REFERENCE ONLY. ACTUAL DIMENSIONS MAY VARY.

THIS PRINT DISCLOSES SUBJECT MATTER IN WHICH NYLOPLAST HAS PROPRIETARY RIGHTS. THE RECEIPT OR POSSESSION OF THIS PRINT DOES NOT CONFER, TRANSFER, OR LICENSE THE USE OF THE DESIGN OR TECHNICAL INFORMATION SHOWN HEREIN. REPRODUCTION OF THIS PRINT OR ANY INFORMATION CONTAINED HEREIN, OR MANUFACTURE OF ANY ARTICLE HEREFROM, FOR THE DISCLOSURE TO OTHERS IS FORBIDDEN, EXCEPT BY SPECIFIC WRITTEN PERMISSION FROM NYLOPLAST.

DRAWN BY: CJA
DATE: 2-25-03
MATERIAL: DUCTILE IRON
APPD BY: CJA
DATE: 2-25-03
PROJECT NO./NAME: 12 IN STANDARD GRATE ASSEMBLY
TITLE: 12 IN STANDARD GRATE ASSEMBLY
DWG NO.: 7001-110-293
SCALE: 1:8
SHEET: 1 OF 1
REV: B

1 - REFER TO TRANSITION PLATE DRAWING NO. 7007-100-069 & 7007-100-070 FOR CURB INLET INSTALLATION (TRANSITION PLATE FLANGE SITS DIRECTLY UNDER GRATE & SHOULD NOT EXCEED .06 THK)

2 - REFER TO TRANSITION PLATE DRAWING NO. 7007-100-066 & 7007-100-065 FOR ROAD & HIGHWAY INSTALLATION (TRANSITION PLATE FLANGE SITS DIRECTLY UNDER GRATE & SHOULD NOT EXCEED .06 THK)

3 - DIMENSIONS ARE FOR REFERENCE ONLY. ACTUAL DIMENSIONS MAY VARY.

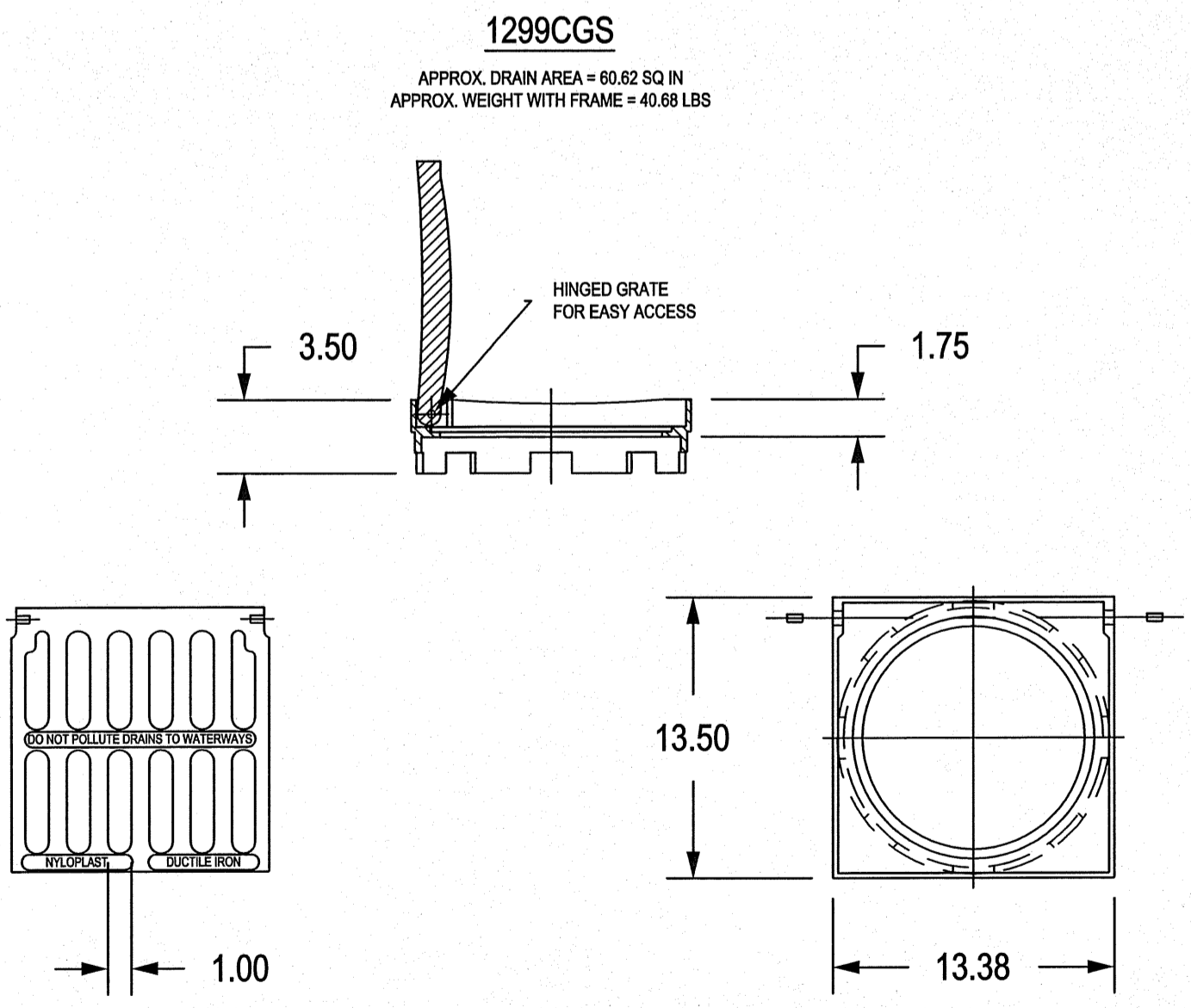
4 - DIMENSIONS ARE IN INCHES.

THIS PRINT DISCLOSES SUBJECT MATTER IN WHICH NYLOPLAST HAS PROPRIETARY RIGHTS. THE RECEIPT OR POSSESSION OF THIS PRINT DOES NOT CONFER, TRANSFER, OR LICENSE THE USE OF THE DESIGN OR TECHNICAL INFORMATION SHOWN HEREIN. REPRODUCTION OF THIS PRINT OR ANY INFORMATION CONTAINED HEREIN, OR MANUFACTURE OF ANY ARTICLE HEREFROM, FOR THE DISCLOSURE TO OTHERS IS FORBIDDEN, EXCEPT BY SPECIFIC WRITTEN PERMISSION FROM NYLOPLAST.

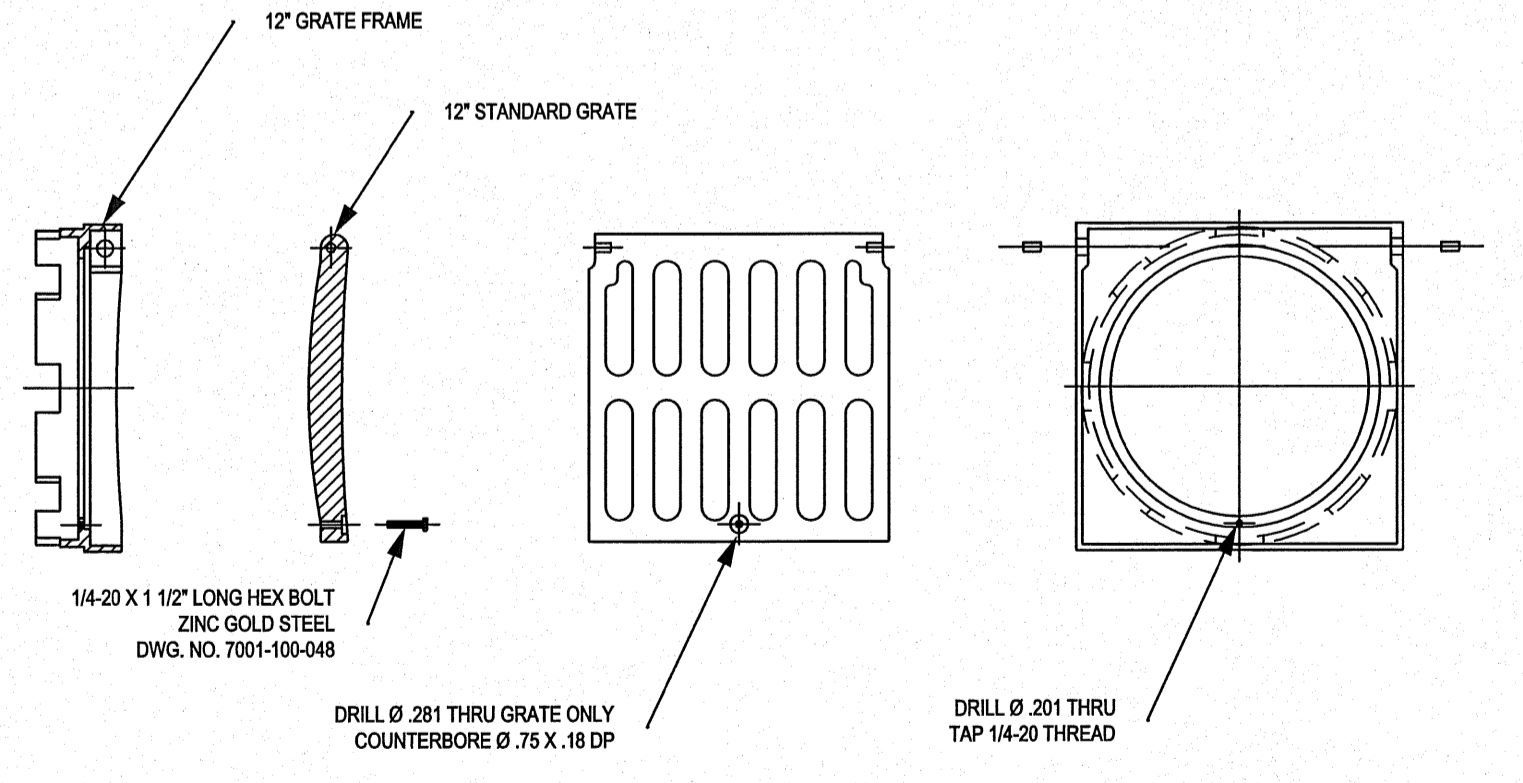
DRAWN BY: EBC
DATE: 9-20-06
MATERIAL: NYLOPLAST CASTING FRAME REFERENCE DIMENSIONS FOR INSERT COMPATIBILITY
APPD BY: CJA
DATE: 9-20-06
PROJECT NO./NAME: 12 IN STANDARD GRATE ASSEMBLY
TITLE: 12 IN STANDARD GRATE ASSEMBLY
DWG NO.: 7001-110-295
SCALE: NTS
SHEET: 1 OF 1
REV: B

THIS PRINT DISCLOSES SUBJECT MATTER IN WHICH NYLOPLAST HAS PROPRIETARY RIGHTS. THE RECEIPT OR POSSESSION OF THIS PRINT DOES NOT CONFER, TRANSFER, OR LICENSE THE USE OF THE DESIGN OR TECHNICAL INFORMATION SHOWN HEREIN. REPRODUCTION OF THIS PRINT OR ANY INFORMATION CONTAINED HEREIN, OR MANUFACTURE OF ANY ARTICLE HEREFROM, FOR THE DISCLOSURE TO OTHERS IS FORBIDDEN, EXCEPT BY SPECIFIC WRITTEN PERMISSION FROM NYLOPLAST.

DRAWN BY: CJA
DATE: 2-4-03
MATERIAL: DUCTILE IRON
APPD BY: EBC
DATE: 1-4-09
PROJECT NO./NAME: DRAIN BASIN WITH REDUCER OPTIONS
TITLE: DRAIN BASIN WITH REDUCER OPTIONS
DWG NO.: 7001-110-104
SCALE: 1:25
SHEET: 1 OF 1
REV: C

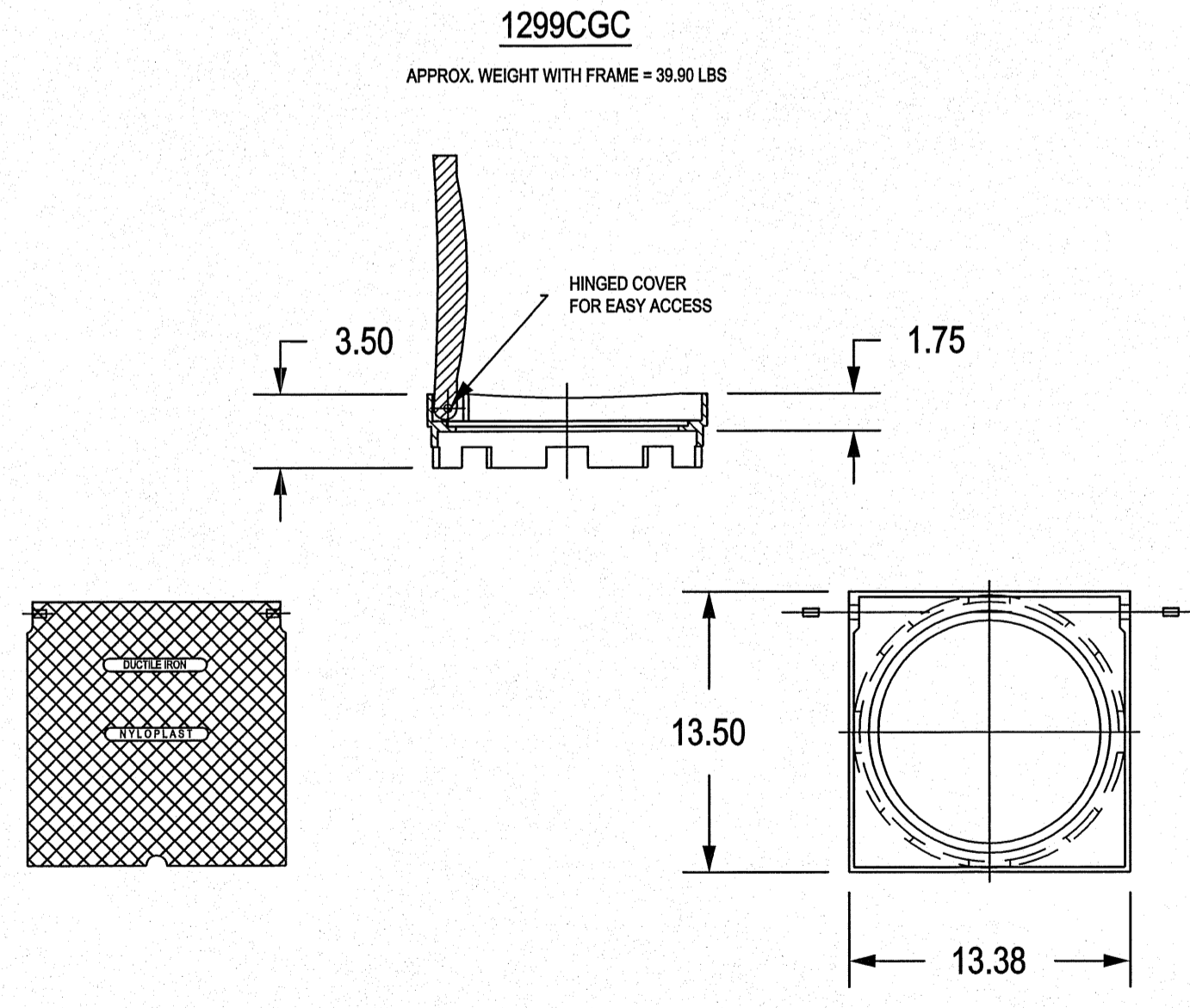


1299CGS
APPROX. DRAIN AREA = 60.82 SQ IN
APPROX. WEIGHT WITH FRAME = 40.88 LBS



1299CGSL

NOTE: LOCATION OF LOCKING DEVICE MAY VARY



1299CGC
APPROX. WEIGHT WITH FRAME = 39.90 LBS

ALL DIMENSIONS IN INCHES UNLESS NOTED OTHERWISE
GRATE MEETS H-20 LOAD RATING
QUALITY: MATERIALS SHALL CONFORM TO ASTM A536 GRADE 70-50-05
PAINT: CASTINGS ARE FURNISHED WITH A BLACK PAINT
LOCKING DEVICE AVAILABLE UPON REQUEST SEE DRAWING NO. 7001-110-035

THIS PRINT DISCLOSES SUBJECT MATTER IN WHICH NYLOPLAST HAS PROPRIETARY RIGHTS. THE RECEIPT OR POSSESSION OF THIS PRINT DOES NOT CONFER, TRANSFER, OR LICENSE THE USE OF THE DESIGN OR TECHNICAL INFORMATION SHOWN HEREIN. REPRODUCTION OF THIS PRINT OR ANY INFORMATION CONTAINED HEREIN, OR MANUFACTURE OF ANY ARTICLE HEREFROM, FOR THE DISCLOSURE TO OTHERS IS FORBIDDEN, EXCEPT BY SPECIFIC WRITTEN PERMISSION FROM NYLOPLAST.

DRAWN BY: EBC
DATE: 3-3-06
MATERIAL: DUCTILE IRON
APPD BY: CJA
DATE: 3-3-06
PROJECT NO./NAME: 12 IN STANDARD GRATE ASSEMBLY
TITLE: 12 IN STANDARD GRATE ASSEMBLY
DWG NO.: 7001-110-293
SCALE: 1:8
SHEET: 1 OF 1
REV: B

THIS PRINT DISCLOSES SUBJECT MATTER IN WHICH NYLOPLAST HAS PROPRIETARY RIGHTS. THE RECEIPT OR POSSESSION OF THIS PRINT DOES NOT CONFER, TRANSFER, OR LICENSE THE USE OF THE DESIGN OR TECHNICAL INFORMATION SHOWN HEREIN. REPRODUCTION OF THIS PRINT OR ANY INFORMATION CONTAINED HEREIN, OR MANUFACTURE OF ANY ARTICLE HEREFROM, FOR THE DISCLOSURE TO OTHERS IS FORBIDDEN, EXCEPT BY SPECIFIC WRITTEN PERMISSION FROM NYLOPLAST.

DRAWN BY: AWA
DATE: 7-5-00
MATERIAL: NYLOPLAST CASTING FRAME REFERENCE DIMENSIONS FOR INSERT COMPATIBILITY
APPD BY: CJA
DATE: 7-5-00
PROJECT NO./NAME: 12 IN STANDARD GRATE ASSEMBLY
TITLE: 12 IN STANDARD GRATE ASSEMBLY
DWG NO.: 7001-110-035
SCALE: 1:8
SHEET: 1 OF 1
REV: B

ALL DIMENSIONS IN INCHES UNLESS NOTED OTHERWISE
COVER MEETS H-20 LOAD RATING
QUALITY: MATERIALS SHALL CONFORM TO ASTM A536 GRADE 70-50-05
PAINT: CASTINGS ARE FURNISHED WITH A BLACK PAINT
LOCKING DEVICE AVAILABLE UPON REQUEST SEE DRAWING NO. 7001-110-035

THIS PRINT DISCLOSES SUBJECT MATTER IN WHICH NYLOPLAST HAS PROPRIETARY RIGHTS. THE RECEIPT OR POSSESSION OF THIS PRINT DOES NOT CONFER, TRANSFER, OR LICENSE THE USE OF THE DESIGN OR TECHNICAL INFORMATION SHOWN HEREIN. REPRODUCTION OF THIS PRINT OR ANY INFORMATION CONTAINED HEREIN, OR MANUFACTURE OF ANY ARTICLE HEREFROM, FOR THE DISCLOSURE TO OTHERS IS FORBIDDEN, EXCEPT BY SPECIFIC WRITTEN PERMISSION FROM NYLOPLAST.

DRAWN BY: EBC
DATE: 3-3-06
MATERIAL: DUCTILE IRON
APPD BY: CJA
DATE: 3-3-06
PROJECT NO./NAME: 12 IN SOLID COVER ASSEMBLY
TITLE: 12 IN SOLID COVER ASSEMBLY
DWG NO.: 7001-110-294
SCALE: 1:8
SHEET: 1 OF 1
REV: B

PRELIMINARY