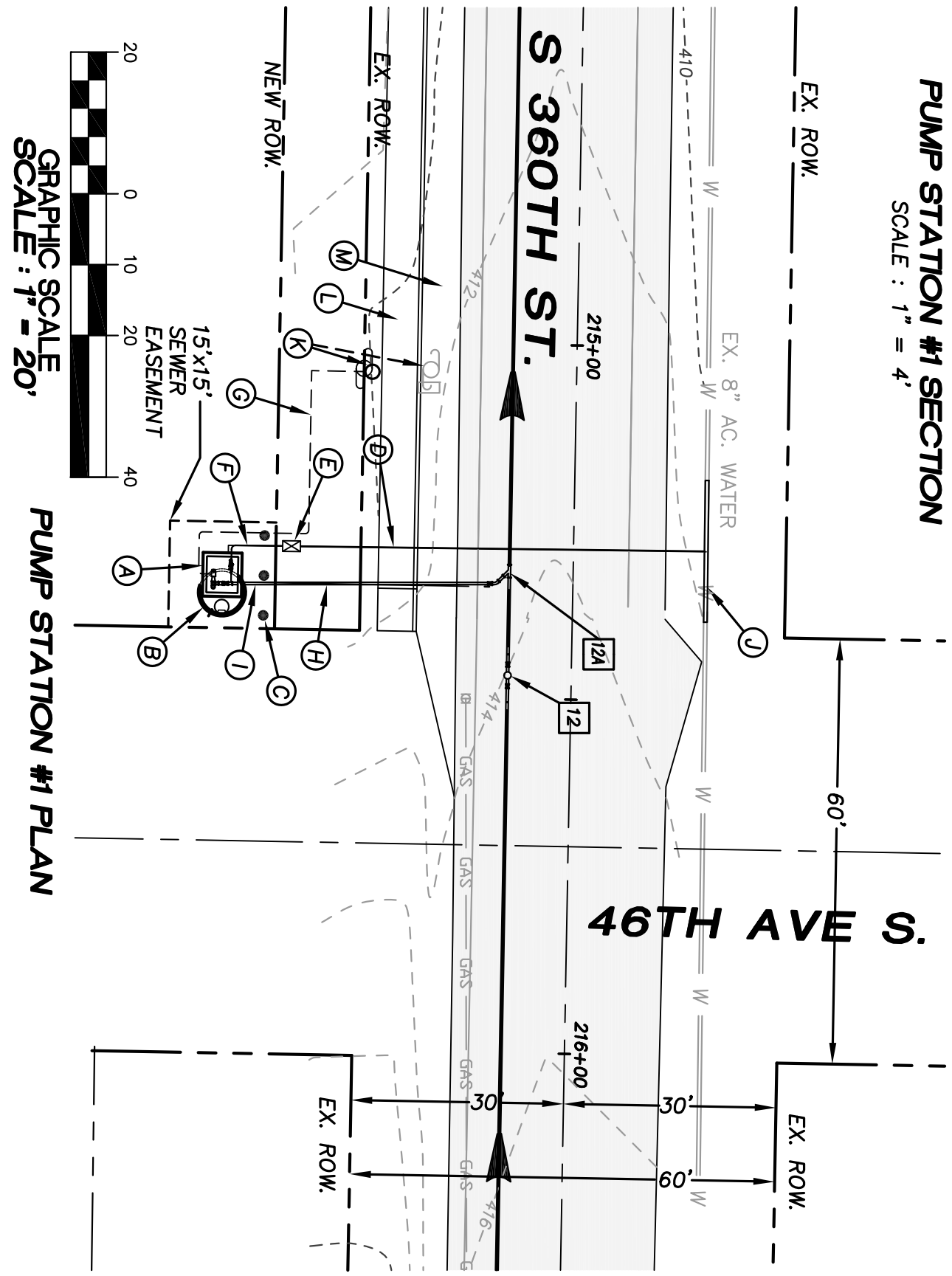
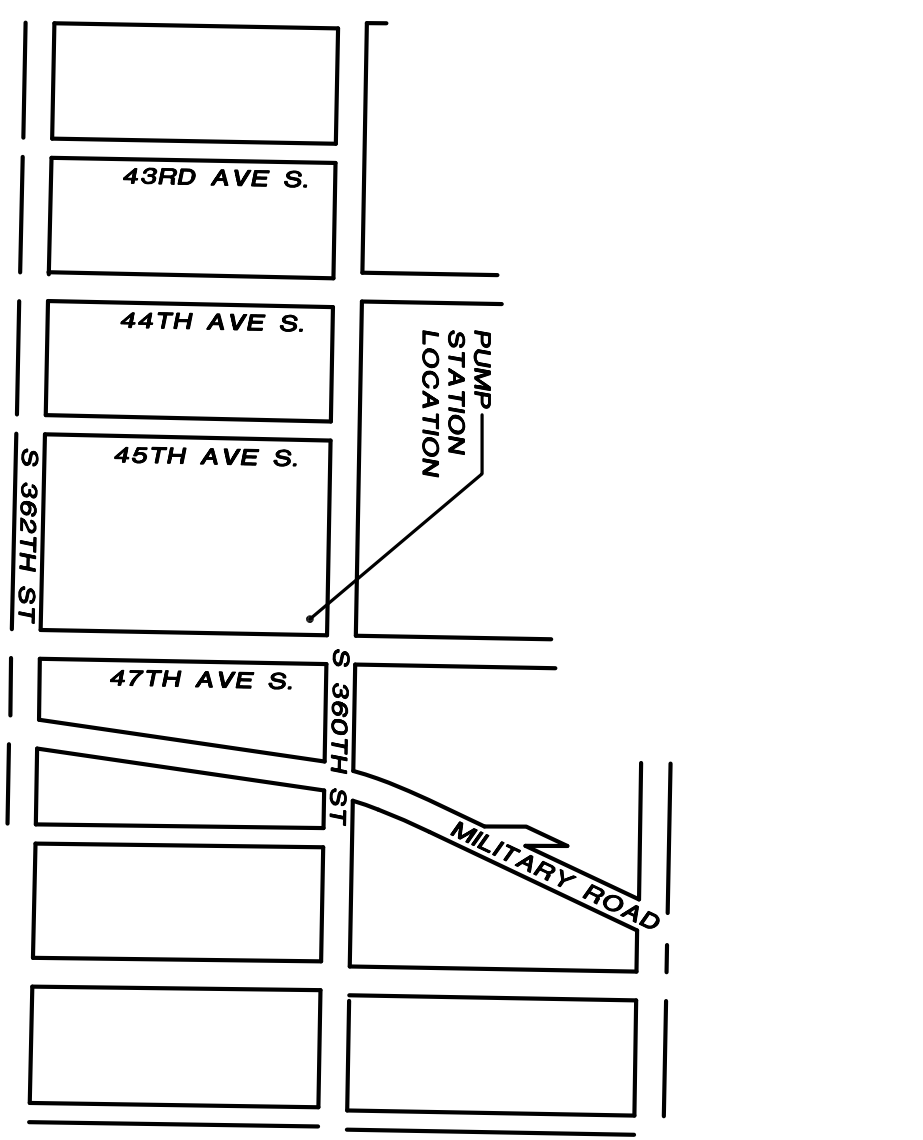
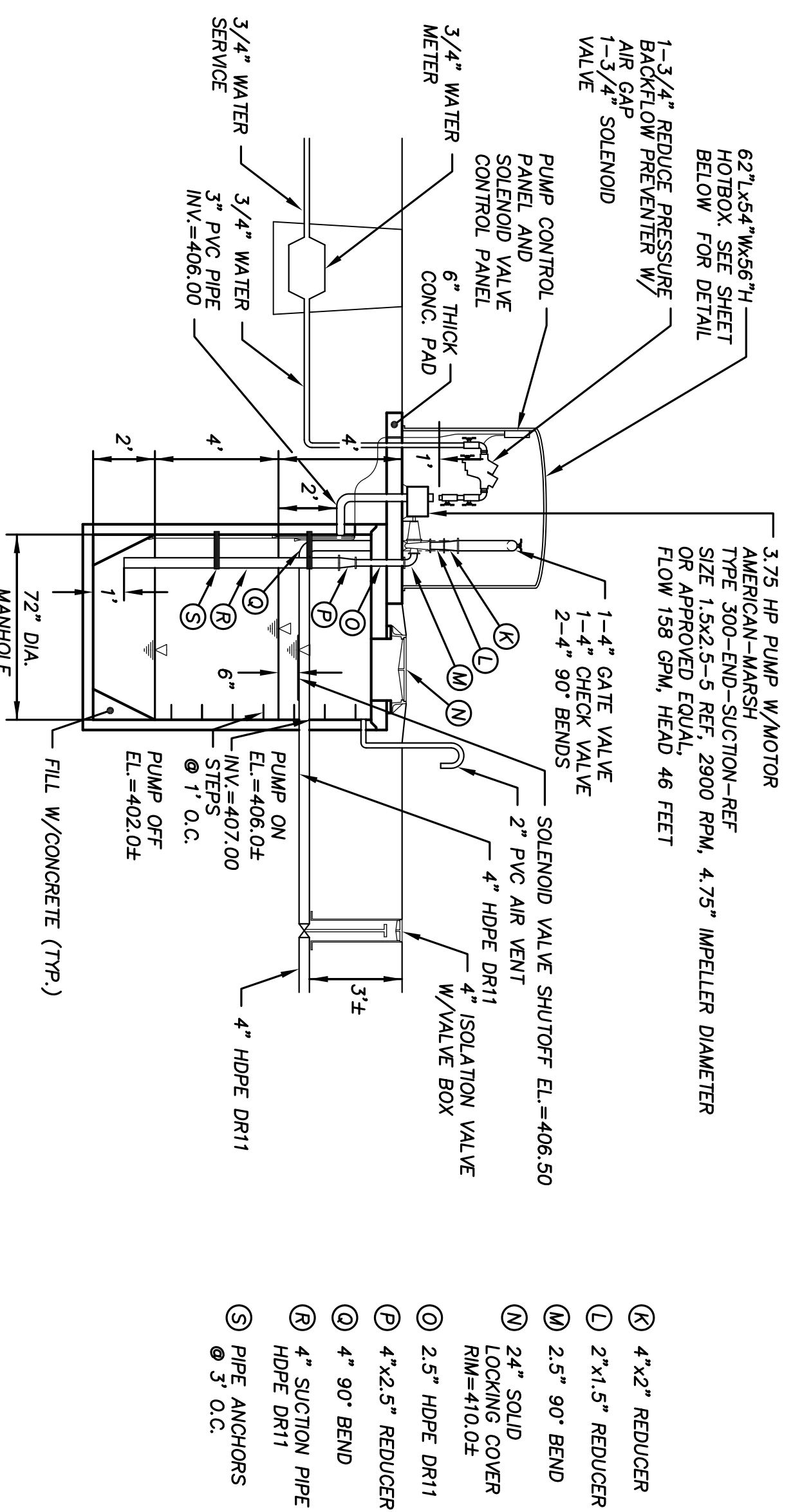
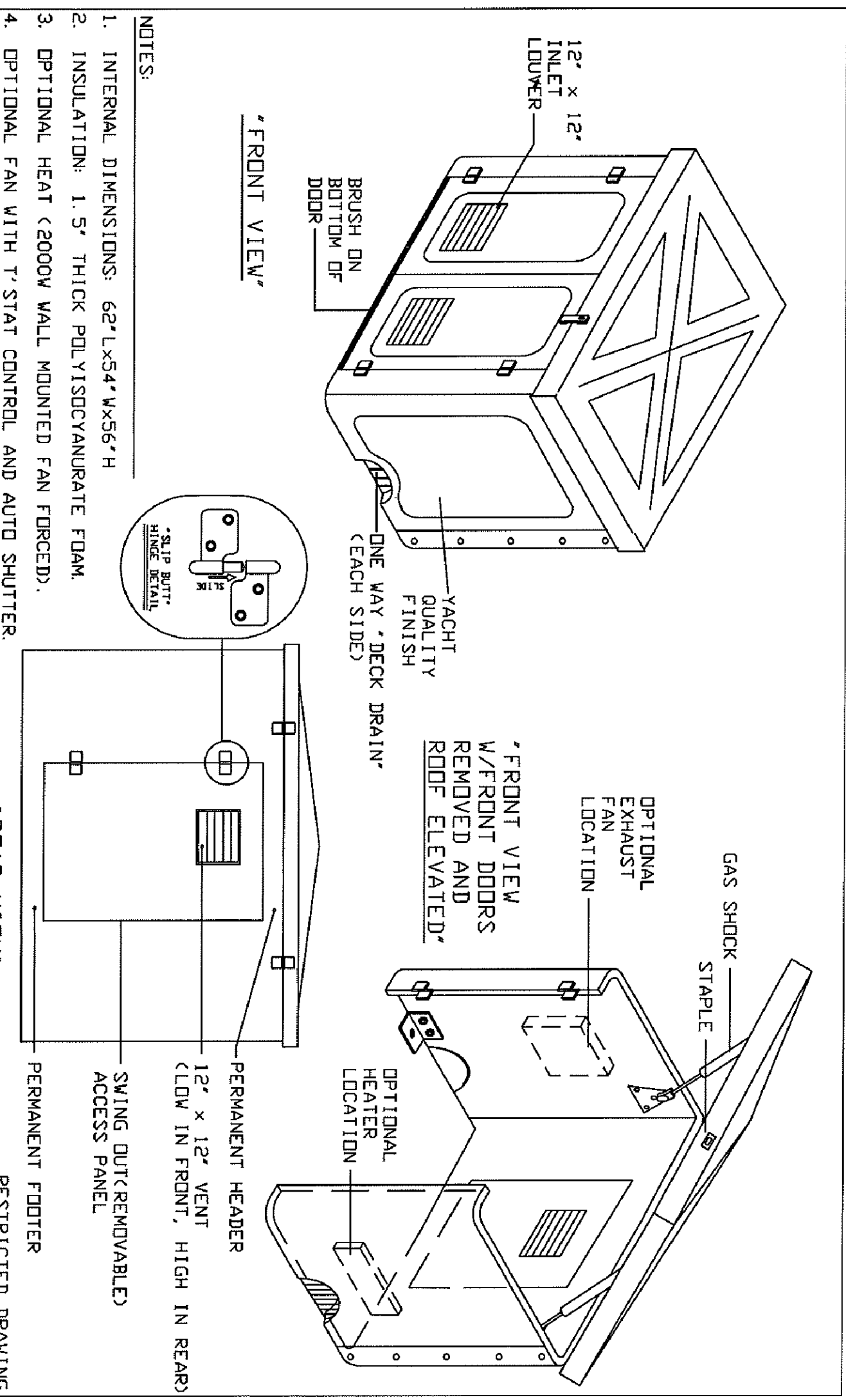


N.W. 1/4, SEC. 26, T. 21 N., R. 4 E., W.M.

LAKEHAVEN UTILITY DISTRICT  
 0 Water Plan  
 6 Sewer Plan  
 Dated \_\_\_\_\_  
 APPROVED FOR CONSTRUCTION  
 SUBJECT TO CHANGES NOTED  
 The District's review is not a check of any dimension or quantity and will not relieve the Developer from responsibility for errors of any sort. No changes shall be made in the plans except by the consent of the District.  
 General Manager/District Engineer \_\_\_\_\_ Date \_\_\_\_\_  
 This construction plan will expire one year from plan approval date, if construction has not commenced.



- Ⓐ HOTBOX 62 1/2 x 54 x 56 1/4 (SEE DETAIL BELOW)
- Ⓑ FLUSHING PUMP STATION IN 72\"/>
- Ⓒ GUARD POST (3 REQUIRED)
- Ⓓ 49L 3/4\"/>
- Ⓔ 3/4\"/>
- Ⓕ 3/4\"/>
- Ⓖ ROUTE POWER SUPPLY TO PUMP STATION (UNDER GROUND WIRING)
- Ⓗ 4\"/>
- Ⓘ 4\"/>
- Ⓚ INSTALL 20L 8\"/>
- Ⓛ RELOCATE EX. POWER POLE. SEE RAM NIWAS CHURCH PLANS.
- Ⓜ NEW CONCRETE SIDEWALK WITH CURB AND GUTTER. SEE RAM NIWAS CHURCH PLANS.
- Ⓝ NEW ASPHALT PAVEMENT. SEE RAM NIWAS CHURCH PLANS.
- Ⓞ 215+33.33, 24.00' R
- Ⓟ 1-6 x 4\"/>
- Ⓠ 1-4\"/>
- Ⓡ 1-4\"/>
- Ⓢ 215+40, 24.00' R
- Ⓣ 2-6\"/>
- Ⓤ 1-6\"/>



- NOTES:
- INTERNAL DIMENSIONS: 62 1/2 x 54 x 56 1/4
  - INSULATION: 1.5\"/>
  - OPTIONAL HEAT (2000W WALL MOUNTED FAN FORCED).
  - OPTIONAL FAN WITH T-STAT CONTROL AND AUTO SHUTTER.

REV 1: \_\_\_\_\_  
 REV 2: \_\_\_\_\_  
 REV 3: \_\_\_\_\_  
 SCALE: 1\"/>

HOT BOX  
 250 LANE AVE N  
 JACKSONVILLE, FLORIDA 32254  
 (904) 786-0204 FAX (904) 783-6965  
 WWW.PACENG.COM

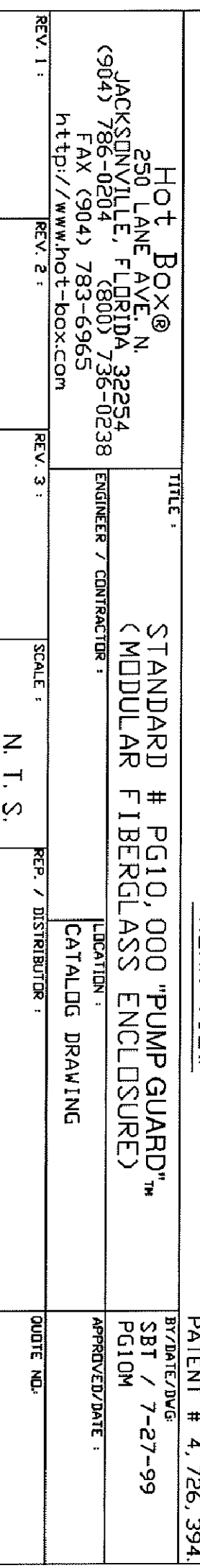
STANDARD # PG10, 000 "PUMP GUARD"  
 (MODULAR FIBERGLASS ENCLOSURE)  
 CATALOG DRAWING  
 RESTRICTED DRAWING  
 PATENT # 4,726,394  
 SBT / 7-27-99  
 APPROVED DATE

FORCE MAIN  
 SANITARY SEWER  
 PUMP STATION  
 DETAILS

PROJECT NO.: 05082  
 DRAWN BY: JQC  
 ISSUE DATE: 7-23-2010  
 SHEET REV: 8-24-2010

LAKEHAVEN UTILITY DISTRICT PROJECT No. 6308021  
 RAM NIWAS CHURCH  
 KING COUNTY, WA.  
 FOR: SATGURU RAM SINGH STANG  
 15701 138TH PLACE SE  
 RENTON, WA 98058  
 PHONE: (206) 304-1911

Pacific Engineering Design, LLC  
 Civil Engineering and Planning Consultants  
 15445 53RD AVE. S.  
 SEATTLE, WA 98188  
 PHONE: (206) 431-7970  
 FAX: (206) 388-1648  
 WEB SITE: PACENG.COM



SS08  
 06035522-SS22.DWG