



QUANTUM CONSULTING ENGINEERS

1511 THIRD AVENUE SUITE 323 SEATTLE, WA 98101 TEL 206.957.3900 FAX 206.957.3901 www.quantumce.com

SEAL:



PROJECT:

RAM NIWAS CHURCH

AUBURN, WA 98001

OWNER: SATGURU RAM SINGH SATSUNGH Contact Person: Mr. Sukhdev Aulakh Contact Phone: (425) 255-6476

SHEET NOTES:

PERMIT SUBMITTAL	8/2/11
------------------	--------

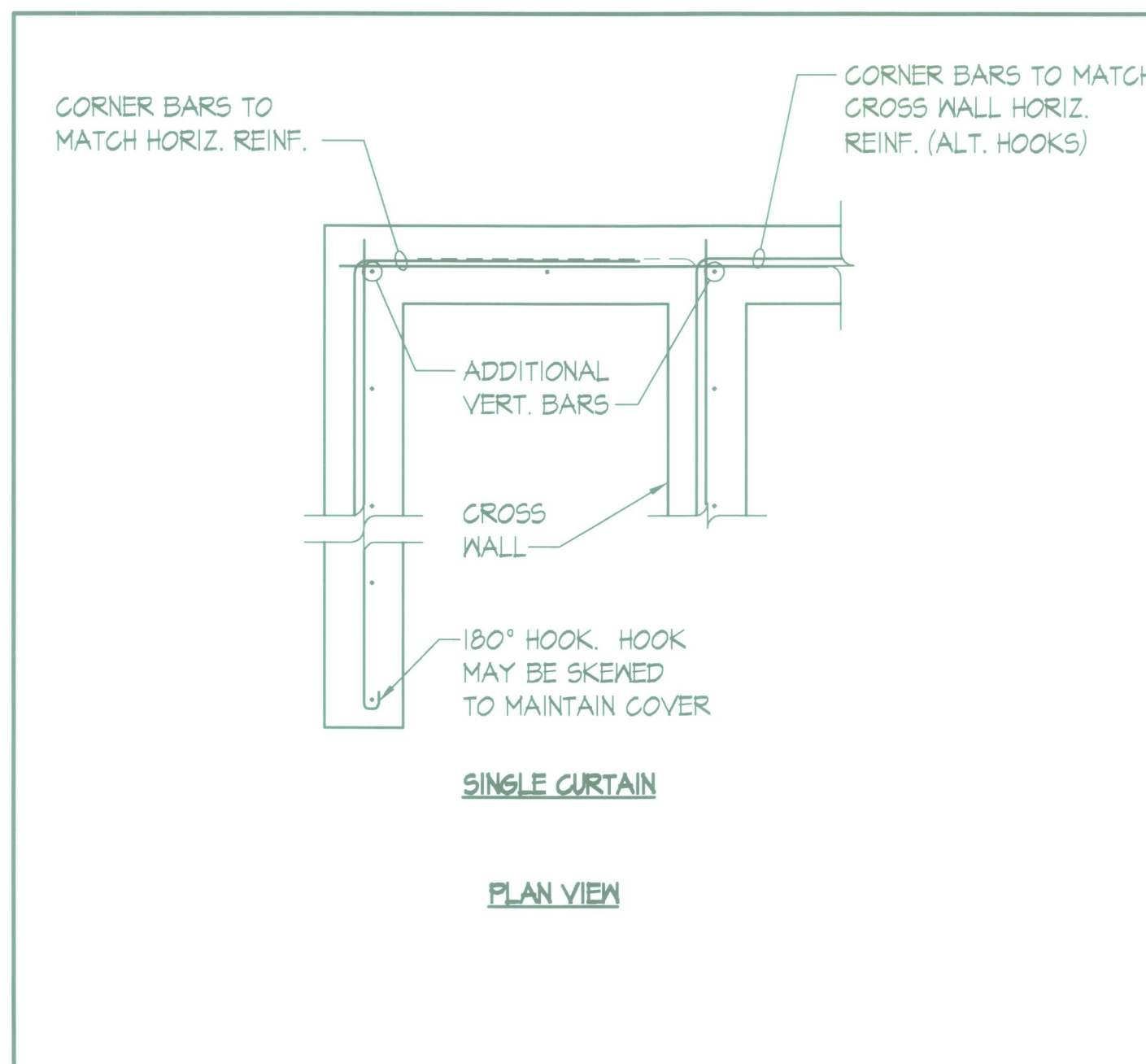
NO.	DESCRIPTION	DATE	BY
ISSUES: 0	REVISIONS: 1		
P.M.	DPF		
P.E.	WI		
DRAWN BY:	SC		
SCALE:	AS SHOWN		
DATE:	8/2/2011		
JOB NO.	11136.01		

TYPICAL CONCRETE DETAILS

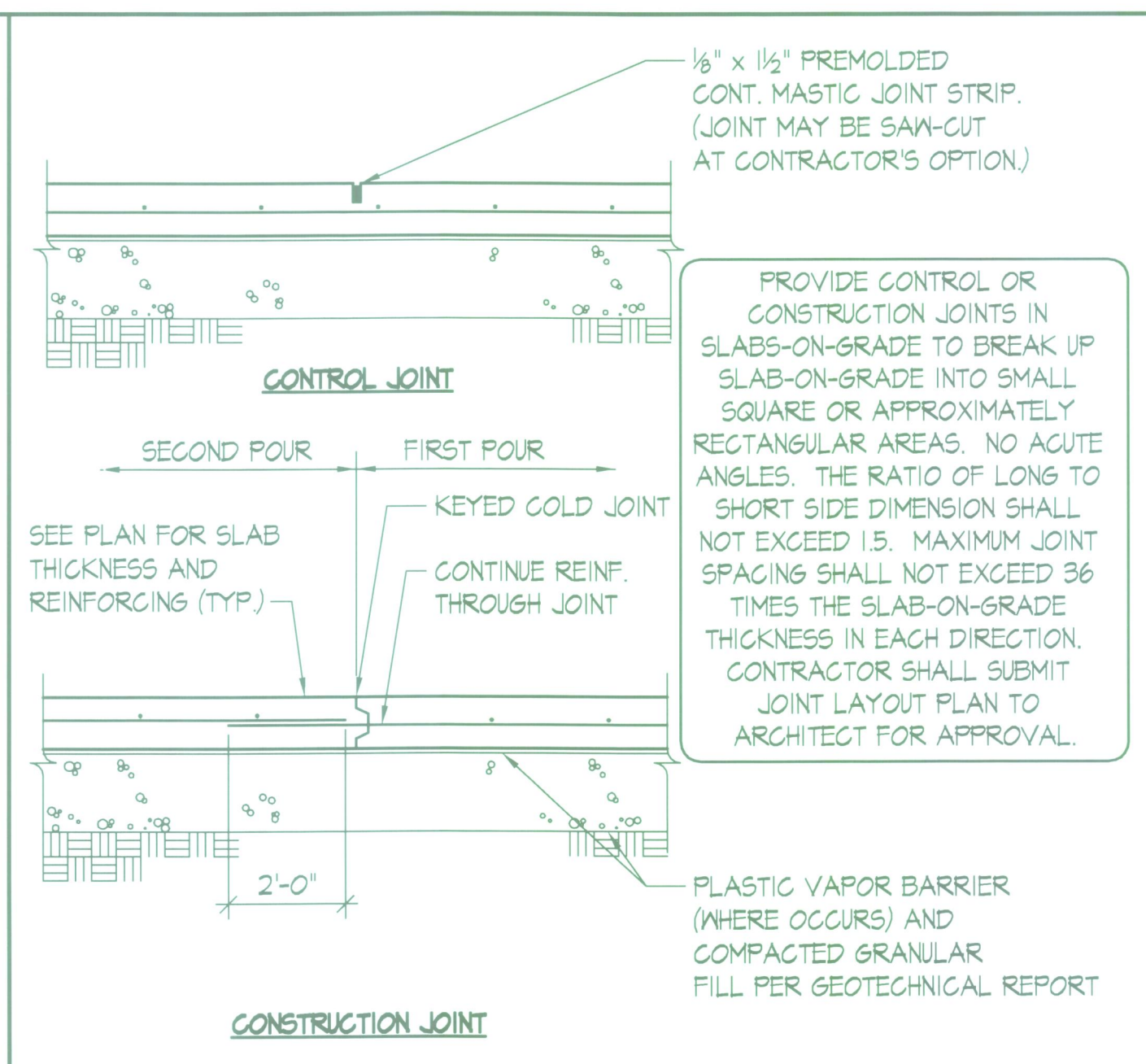
SHEET NO.

S3.0R

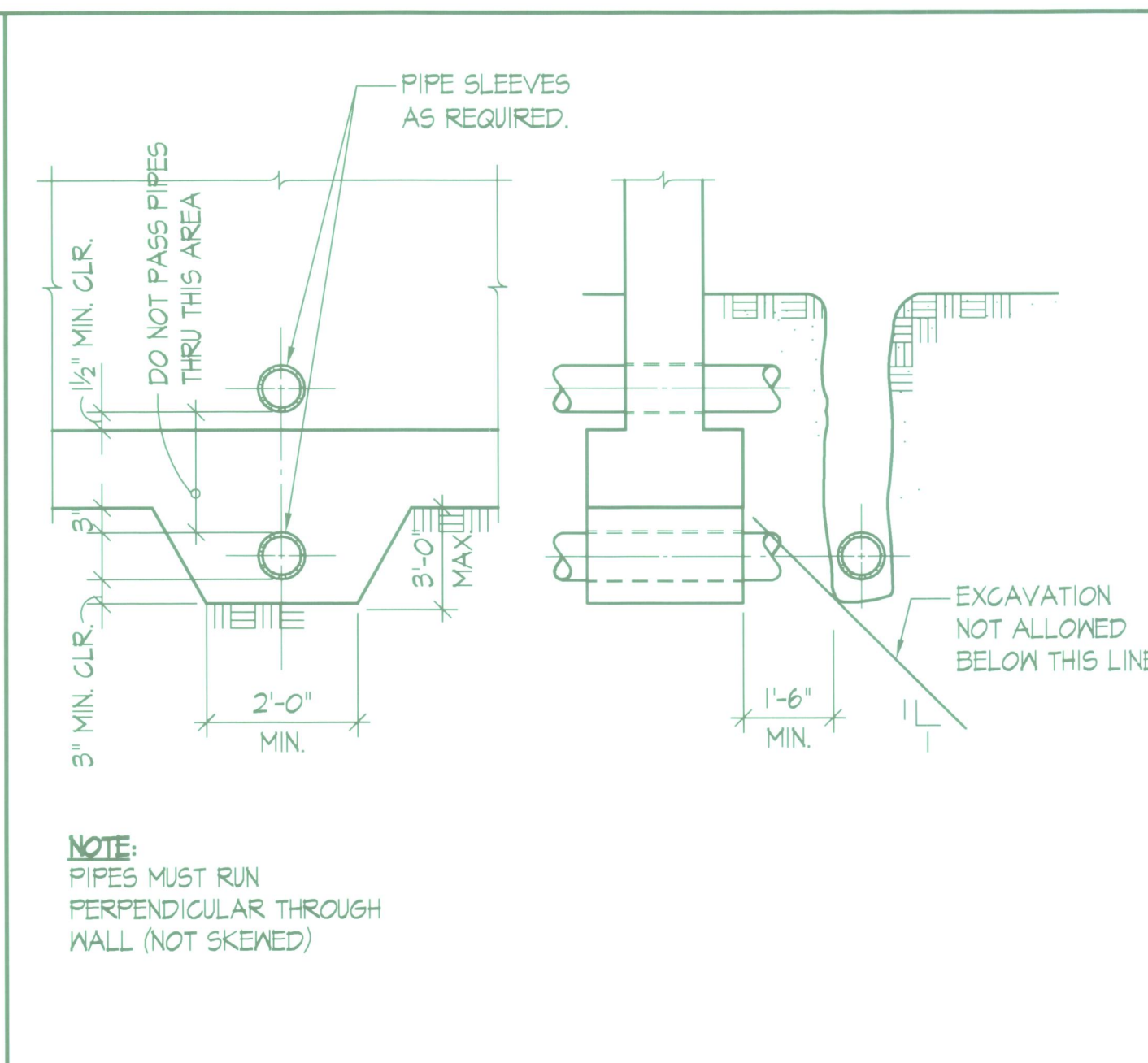
REVISION



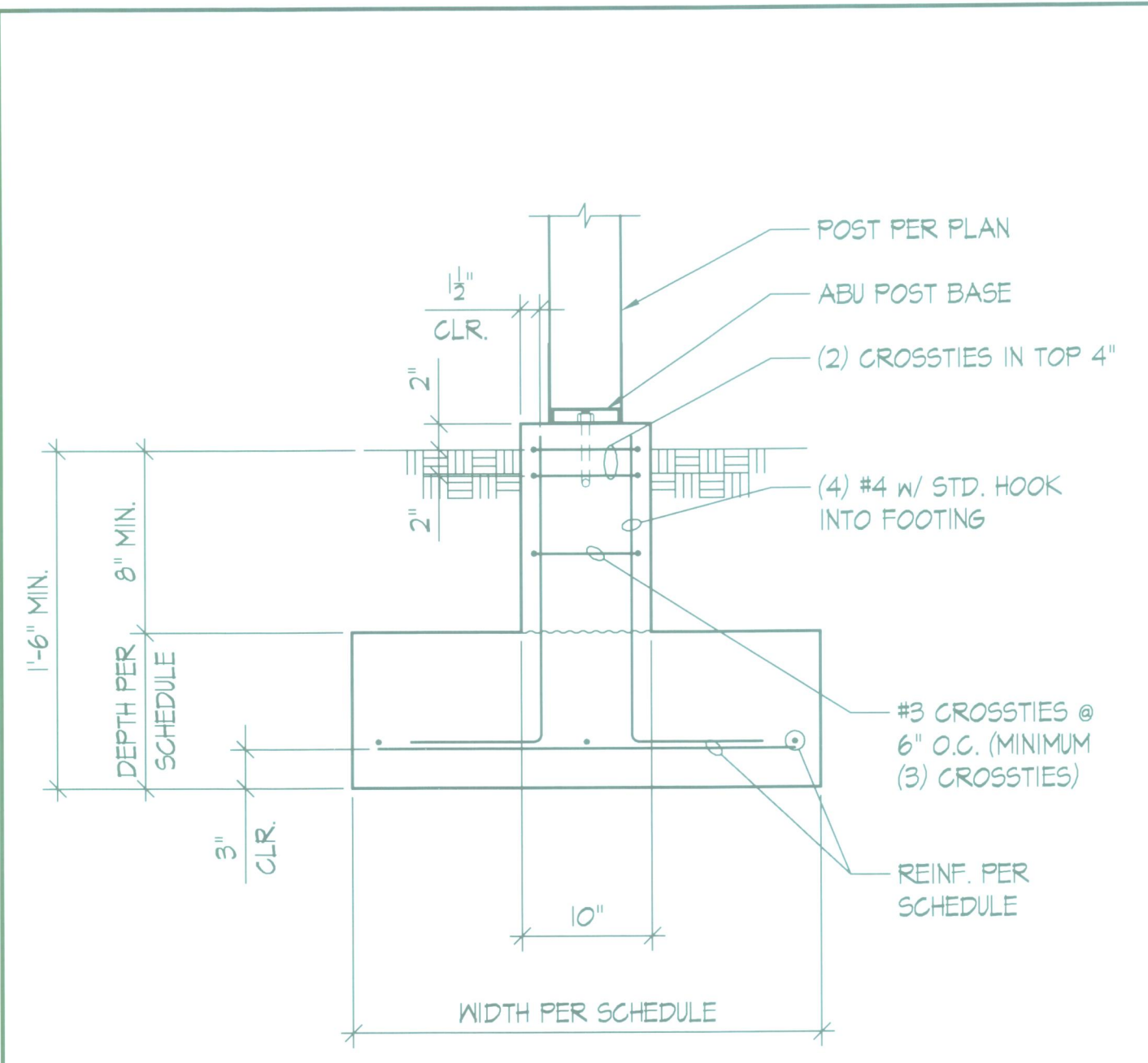
TYPICAL CORNER BAR AND WALL END BAR ARRANGEMENT AT CONCRETE WALLS OR FOOTINGS SCALE: NONE 1



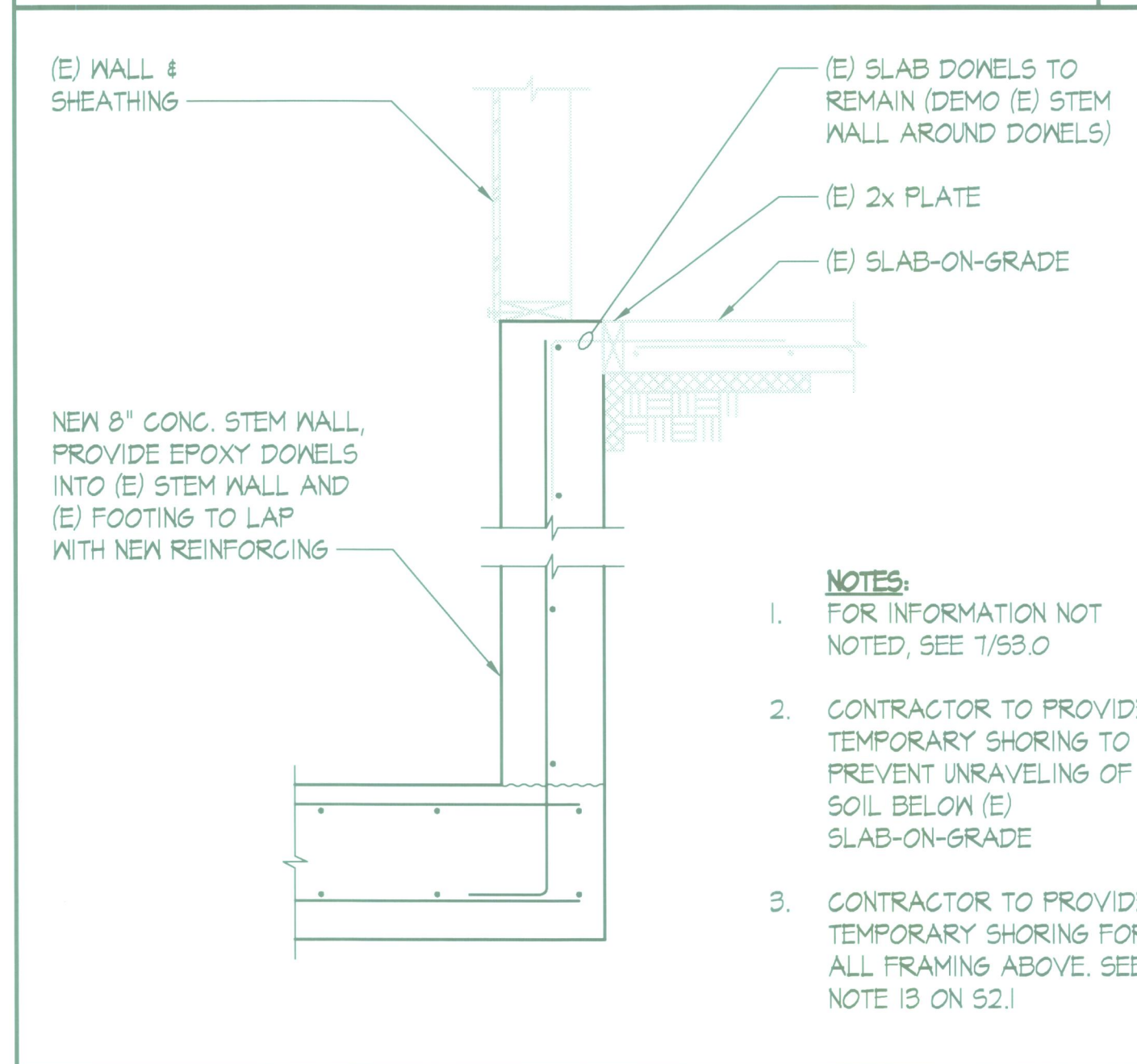
TYPICAL SLAB-ON-GRADE JOINTS SCALE: NONE 2



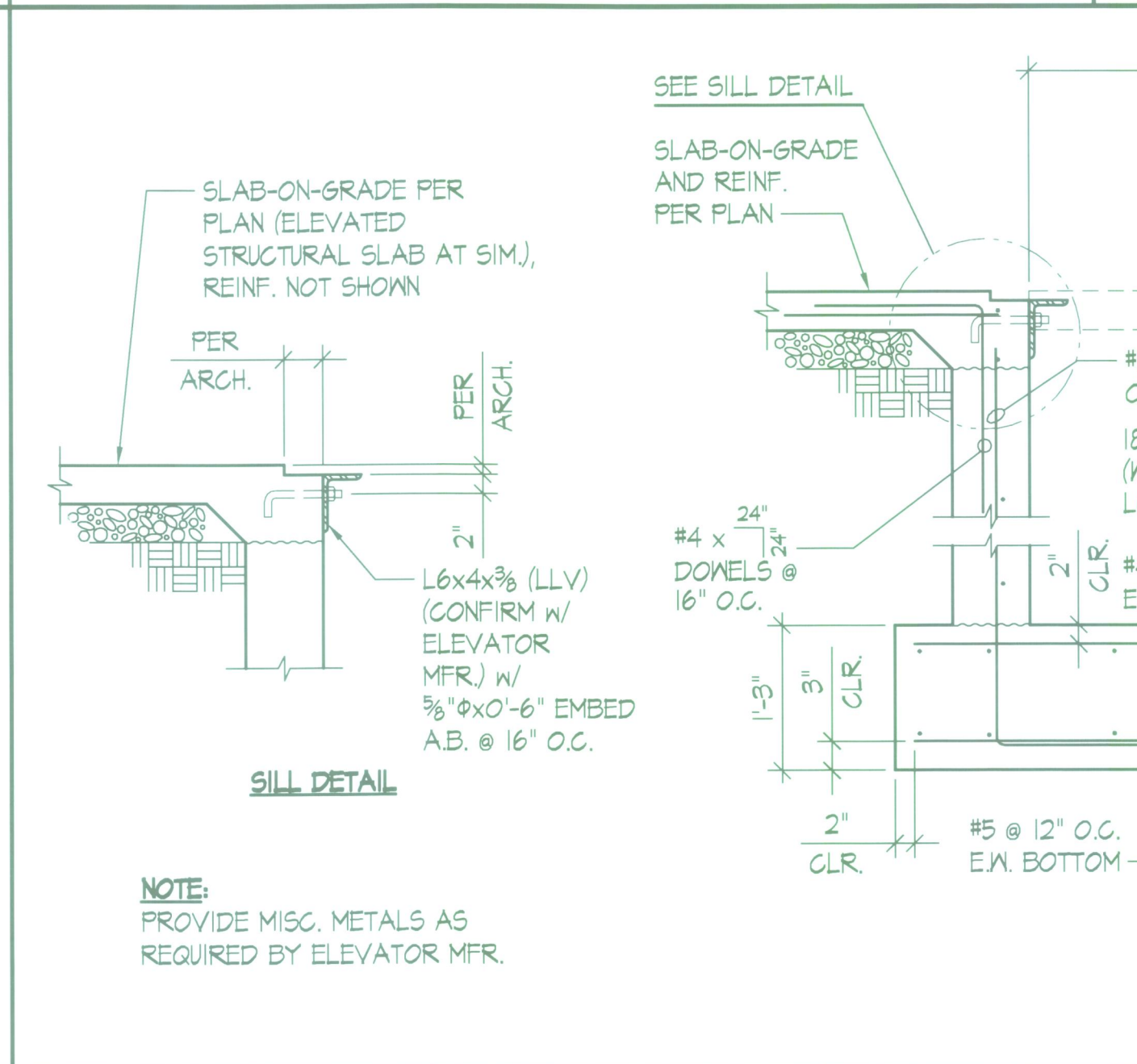
TYPICAL PIPE AND TRENCH LOCATIONS PERPENDICULAR TO FOOTING SCALE: NONE 3



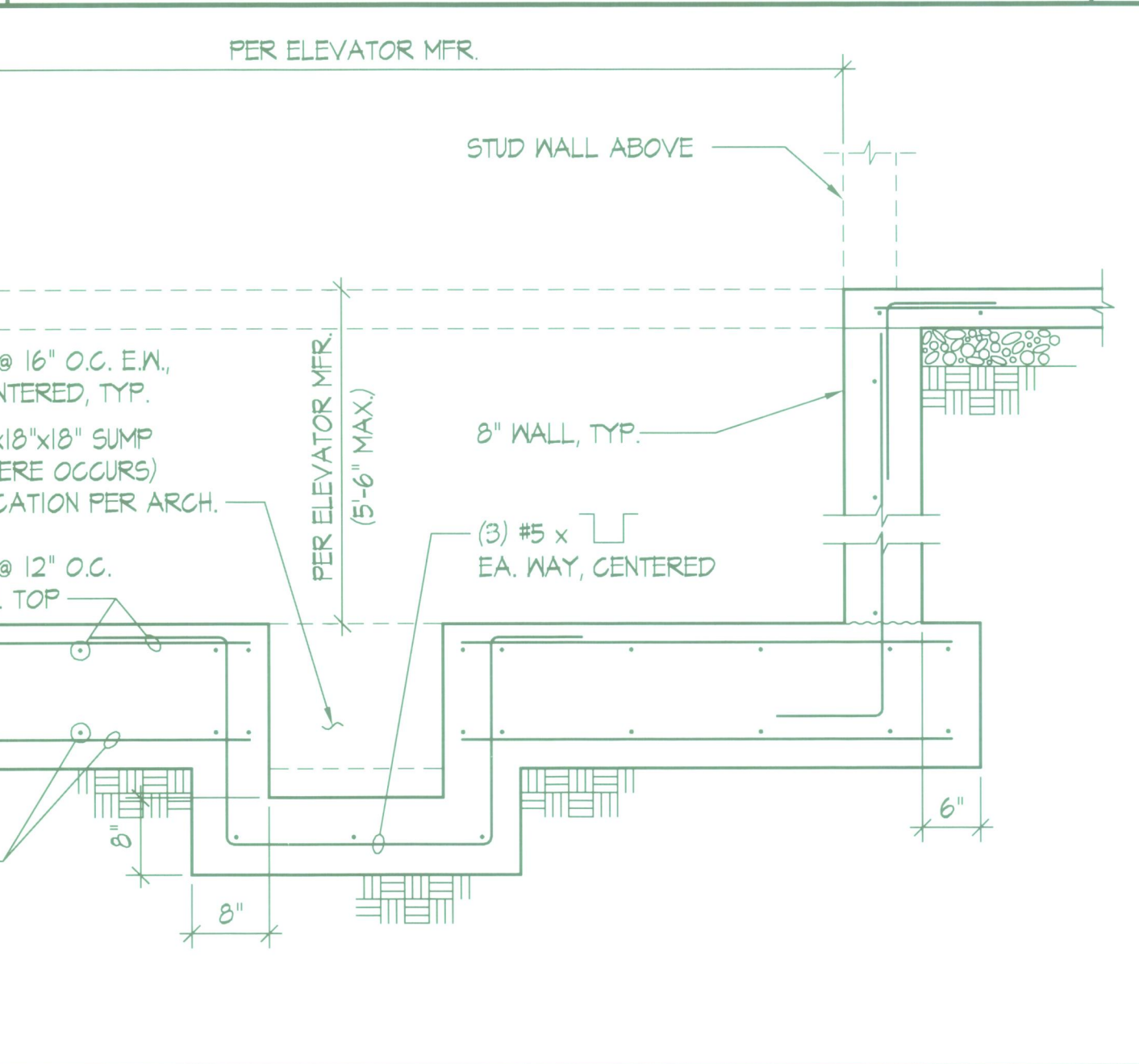
ISOLATED POST FOOTINGS SCALE: NONE 4



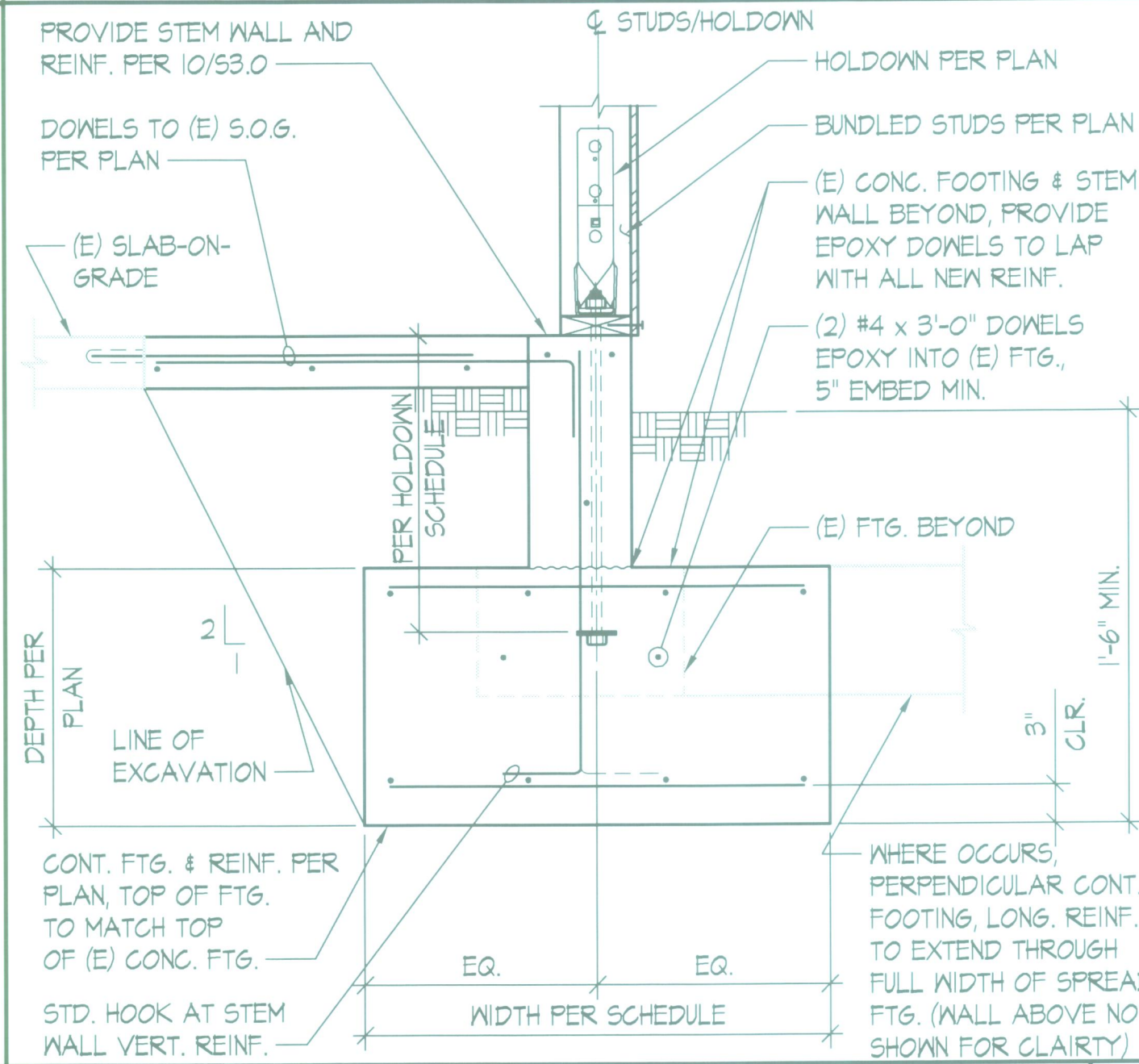
DETAIL SCALE: NONE 5



TYPICAL ELEVATOR PIT SCALE: NONE 6

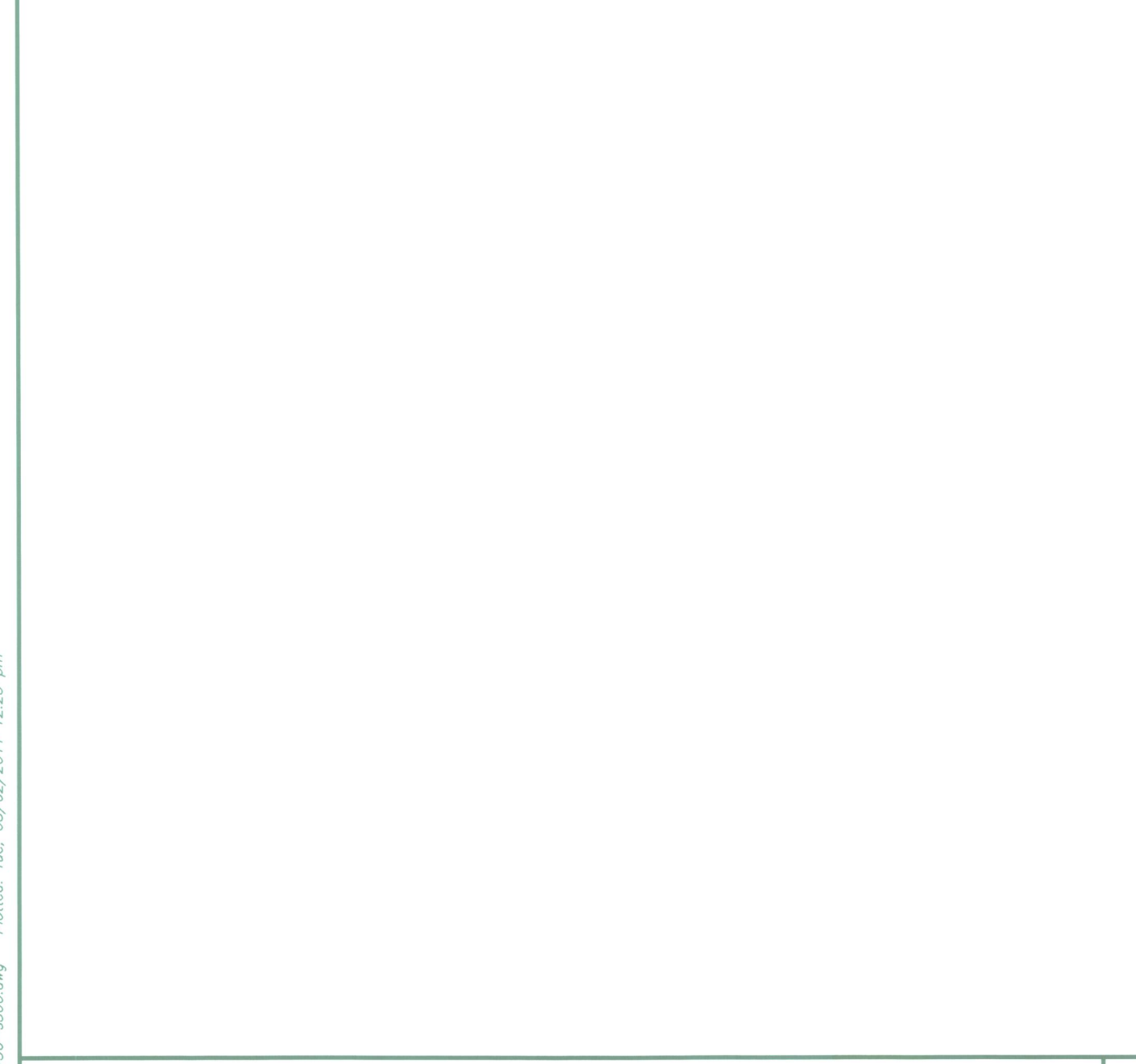


TYPICAL THICKENED SLAB AT DOOR SCALE: NONE 7

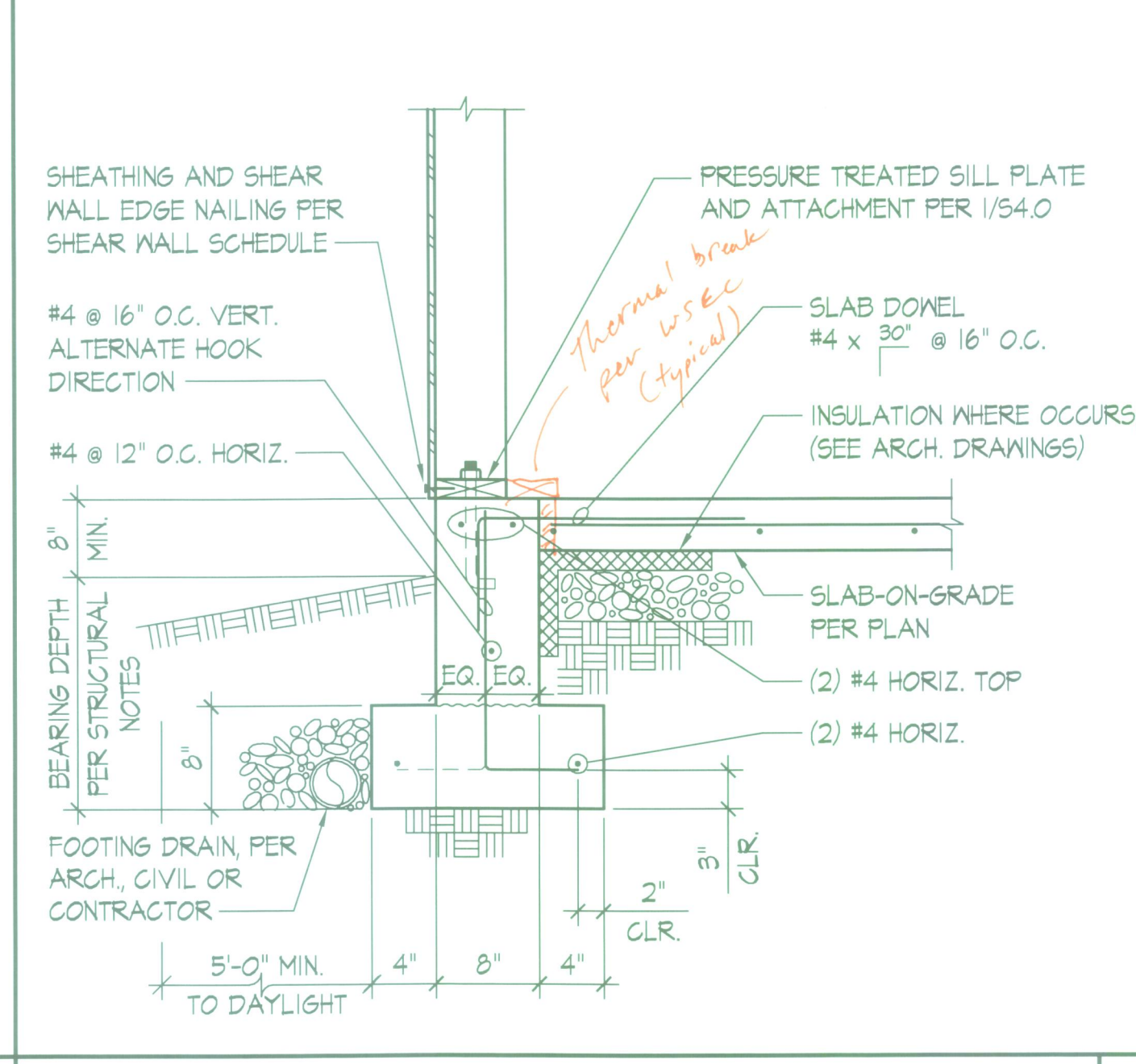


DETAIL SCALE: NONE 8

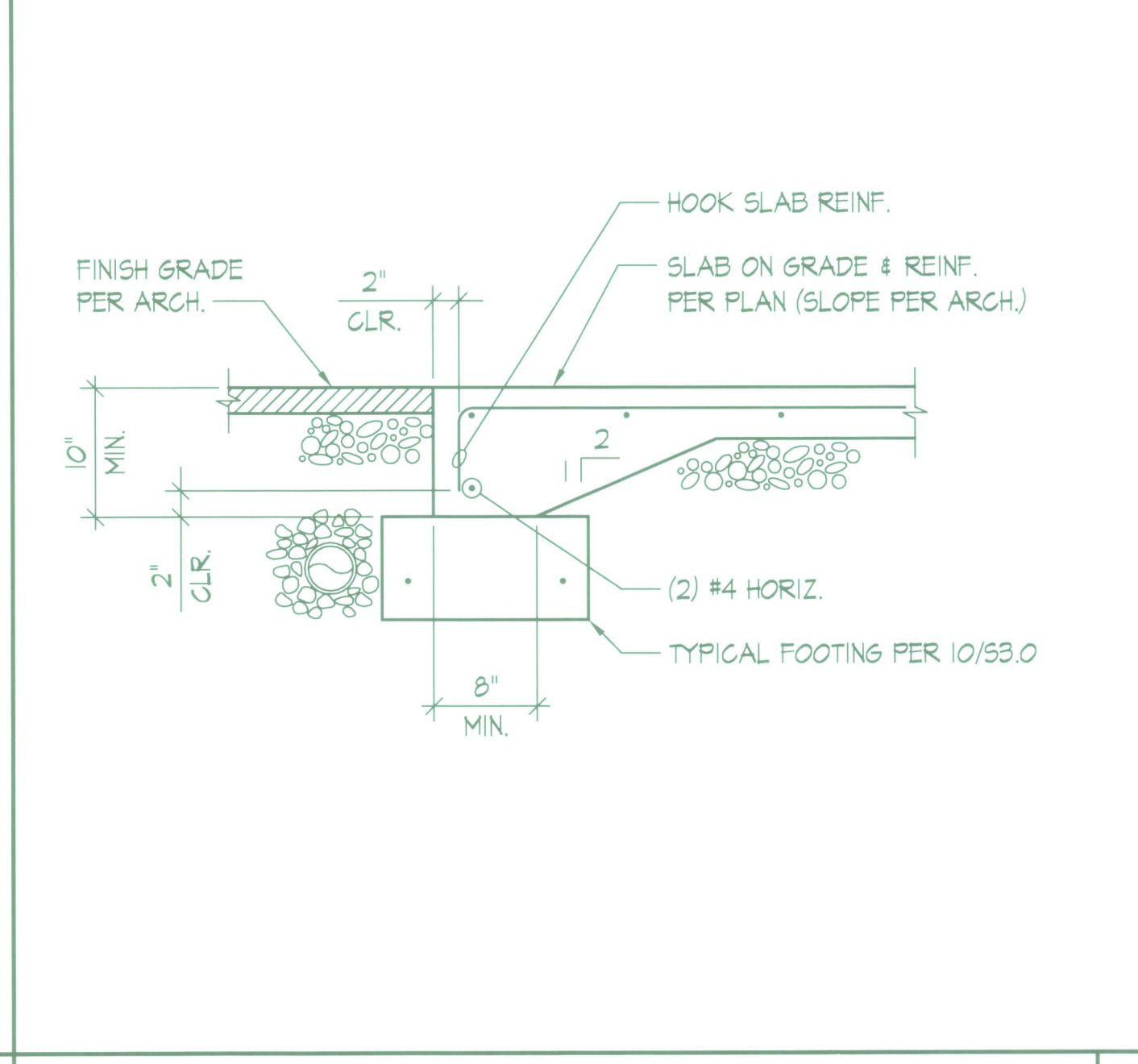
MARK	SIZE	DEPTH	REINFORCING	REMARKS
F3.0	3'-0" x 3'-0"	12"	(4) #4 EA. WAY	SEE 4/53.0



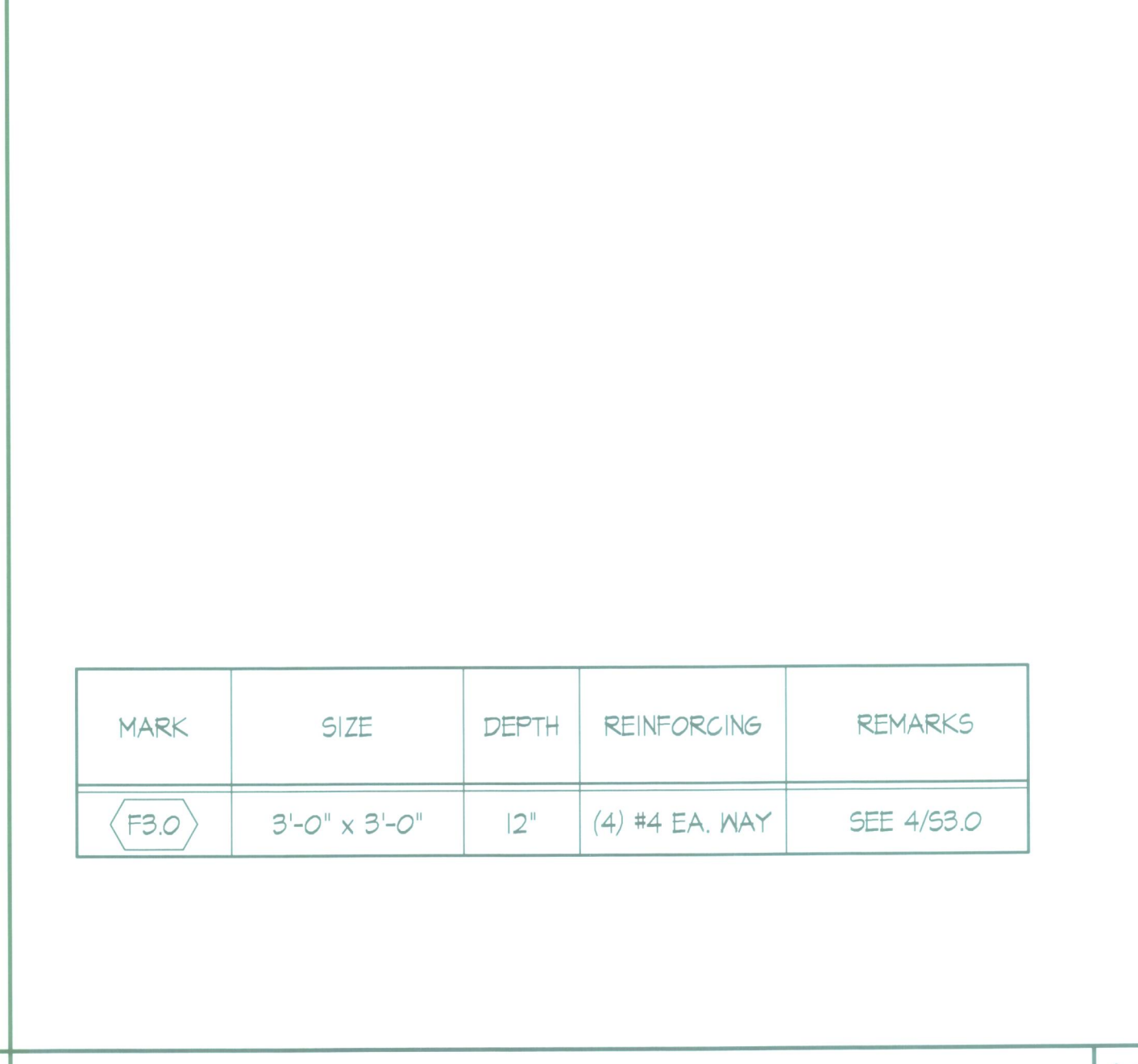
DETAIL SCALE: NONE 9



TYPICAL PERIMETER WALL FOUNDATION AT SLAB-ON-GRADE SCALE: NONE 10



TYPICAL THICKENED SLAB AT DOOR SCALE: NONE 11



SPREAD FOOTING SCHEDULE SCALE: NONE 12

File: S3.0-300.dwg Plotmed: Tue, 08/02/2011 12:23 pm