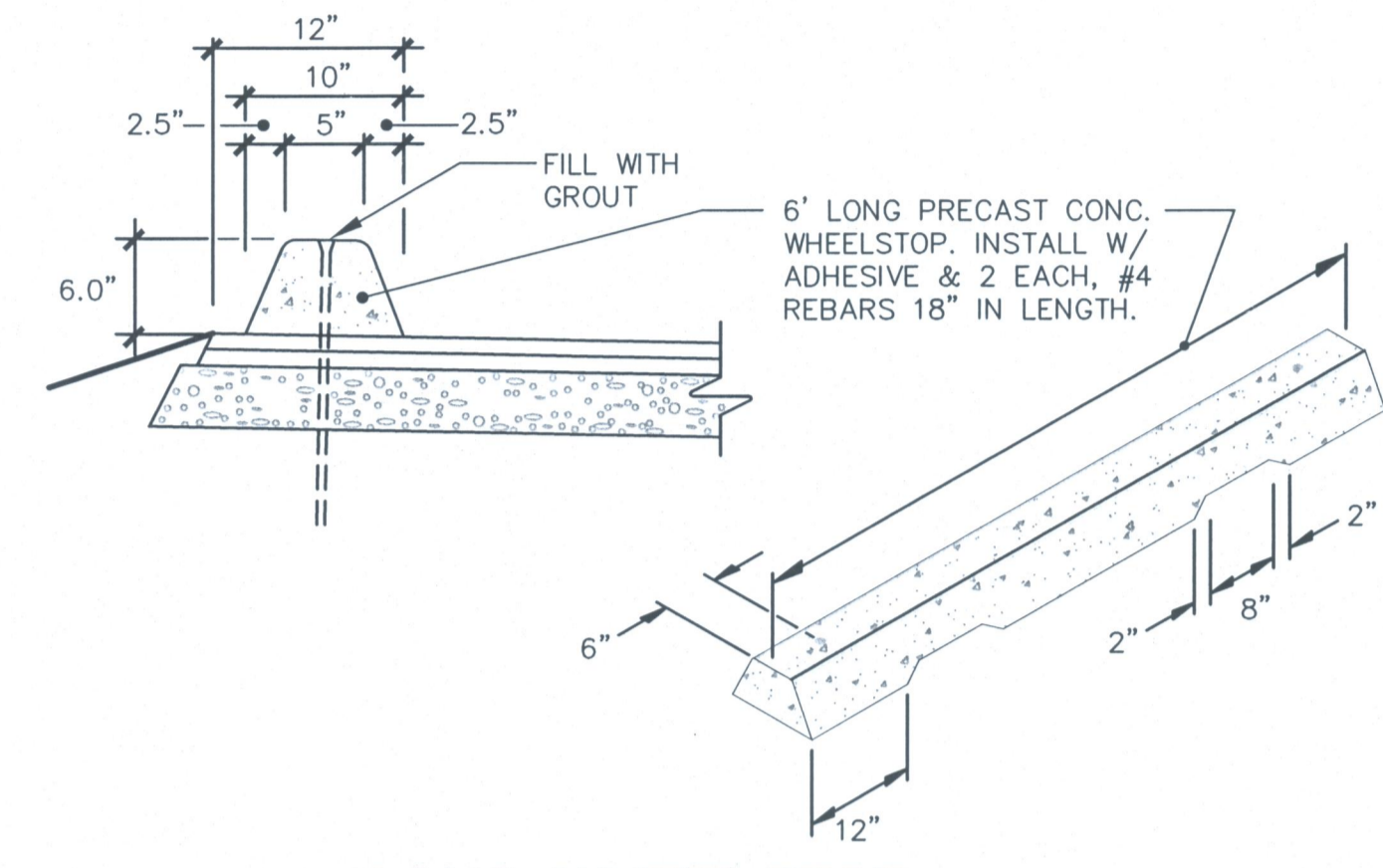
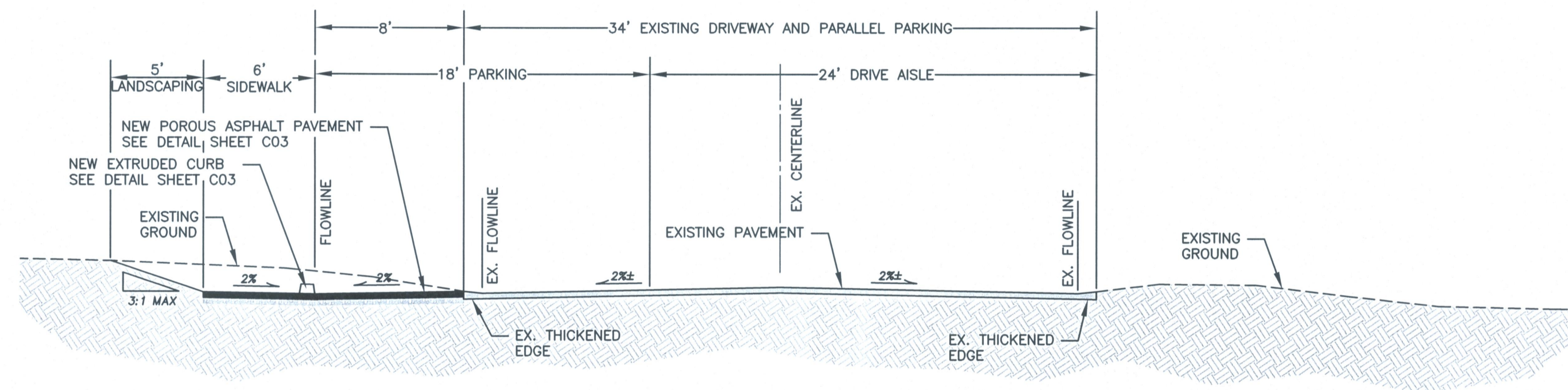


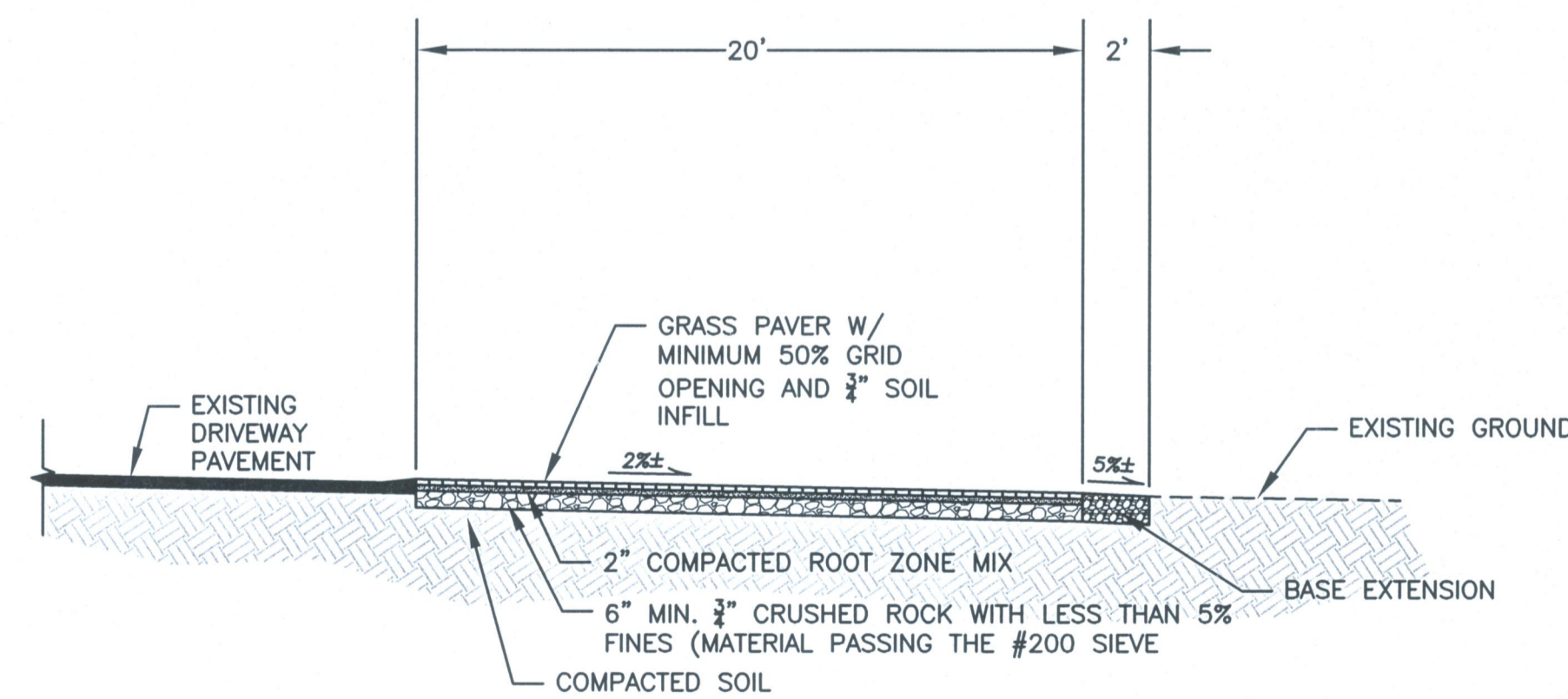
ROAD SECTION C
SCALE: 1"=5'



CONC. WHEELSTOP
SCALE: 1"=1'



ROAD SECTION D
SCALE: 1"=5'



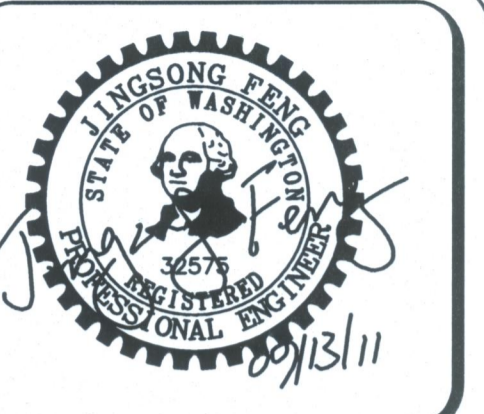
GRASSED MODULAR GRID PAVEMENT SECTION
SCALE: 1"=5'

NOTE:
FREE DRAINING BASE SHALL HAVE LESS THAN 5% FINES (MATERIAL PASSING THE #200 SIEVE).

KING COUNTY D.D.E.S.
BUILDING SERVICES DIVISION
COMMERCIAL PROJECT APPROVAL
Project No. B10M1373
Project Name: RAM NIWAS CHURCH
 SITE ENGINEERING/DRAWING APPROVAL
DATE: 9/21/11 SIGNED: [Signature]
 TRAFFIC PLANNING APPROVAL
DATE: 9/21/11 SIGNED: [Signature]
 LAND USE/ZONING/PARKING
DATE: 9/21/11 SIGNED: [Signature]
 SPECIAL CONDITIONS

REVISION

REVISIONS	
DATE	NATURE
7/20/2011	ADDED GRASSED MODULAR GRID SECTION, REVISED SECTION D
9/13/2011	ADDED NOTE FOR FREE DRAINING BASE. CHANGE ROAD SECTION D DETAIL REFERENCE TO SHEET C03 AND ADDED CONCRETE WHEEL STOP DETAIL.



15445 53RD AVE. S.
SEATTLE, WA 98188
PHONE: (206) 431-7970
FAX: (206) 388-1648
WEB SITE: PACENG.COM

Pacific Engineering Design, LLC
Civil Engineering and Planning Consultants

BUILDING PERMIT B10M1373
RAM NIWAS CHURCH
KING COUNTY, WA.
FOR: SATGURU RAM SINGH STANG
PROJECT: B10M1373, SEE SHEET B10M1373.01
PHONE: (206) 304-1911

PROJECT NO.: **10021**
DRAWN BY: **CJB**
ISSUE DATE: **7-23-2010**
SHEET REV.: **09-13-2011**

DRIVEWAY AND PARKING SECTIONS

10021SEC01.DWG
C06
Sheet 7 of 8