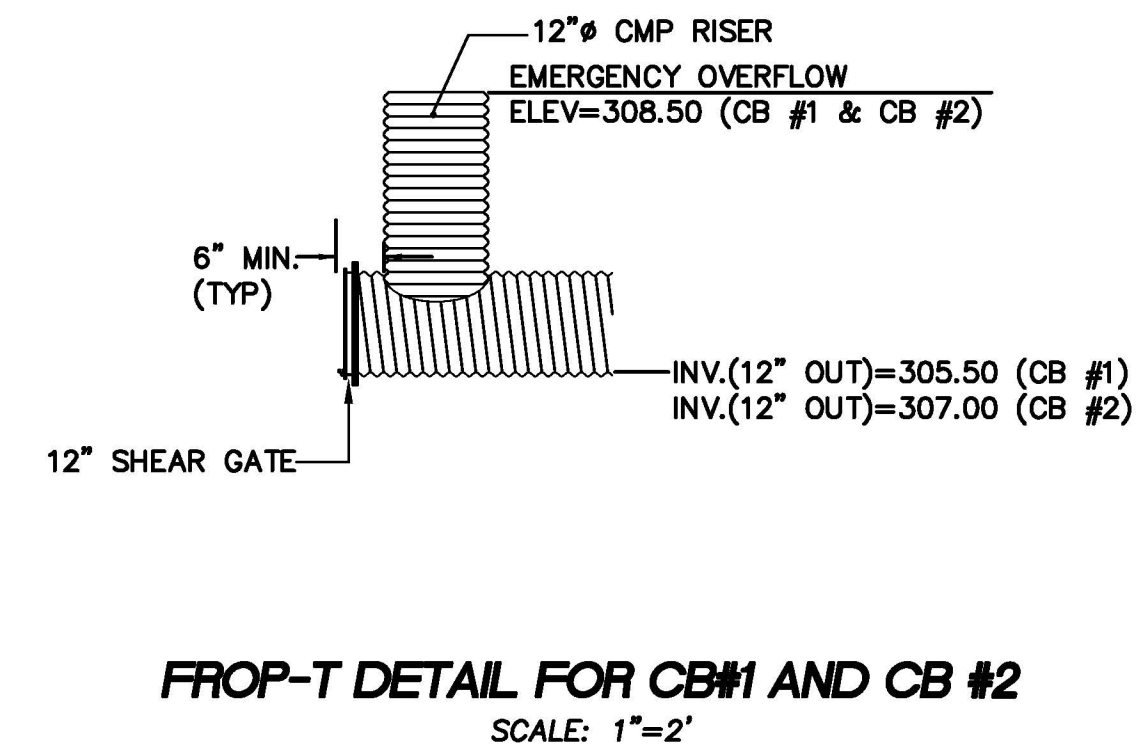
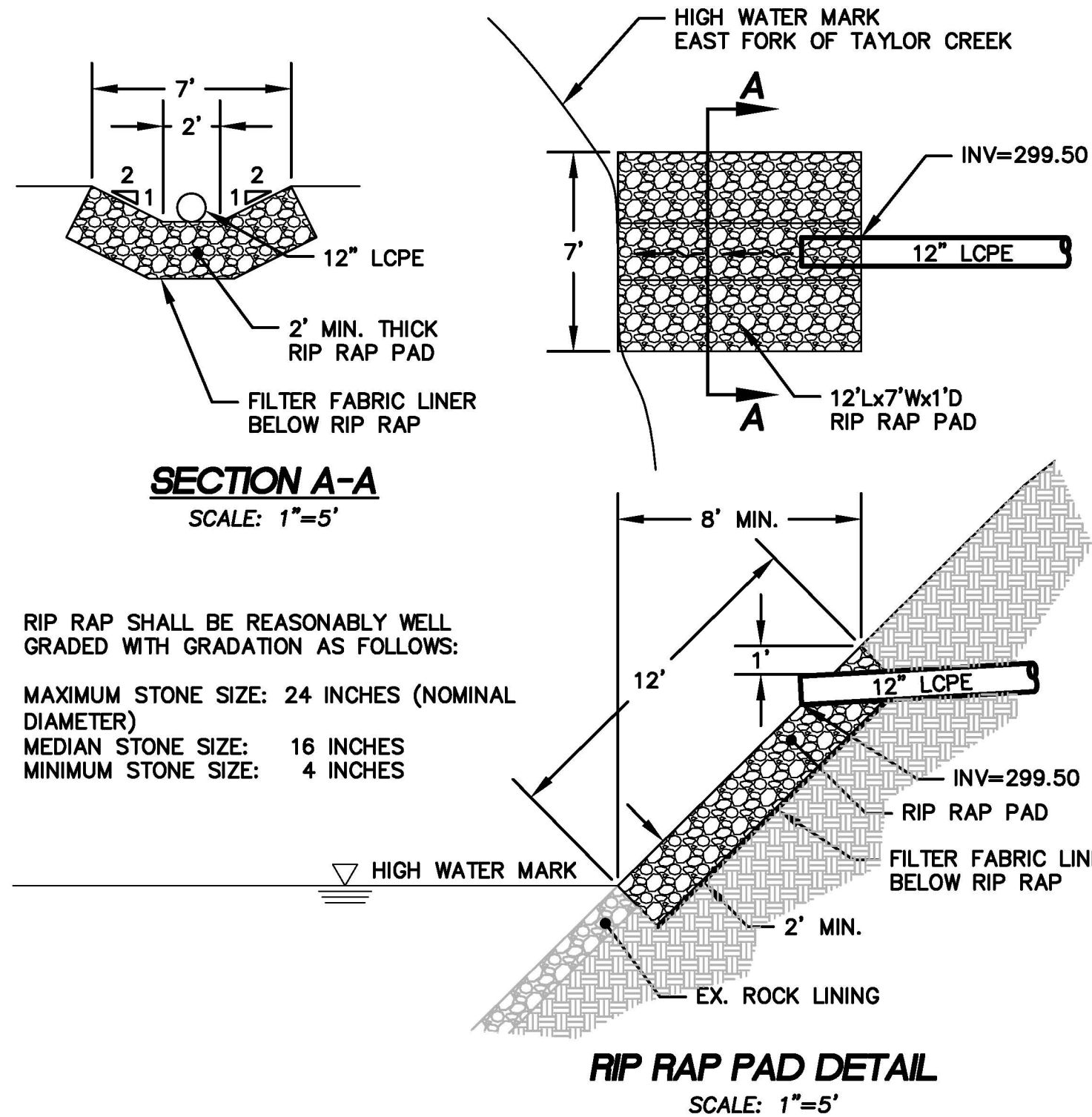
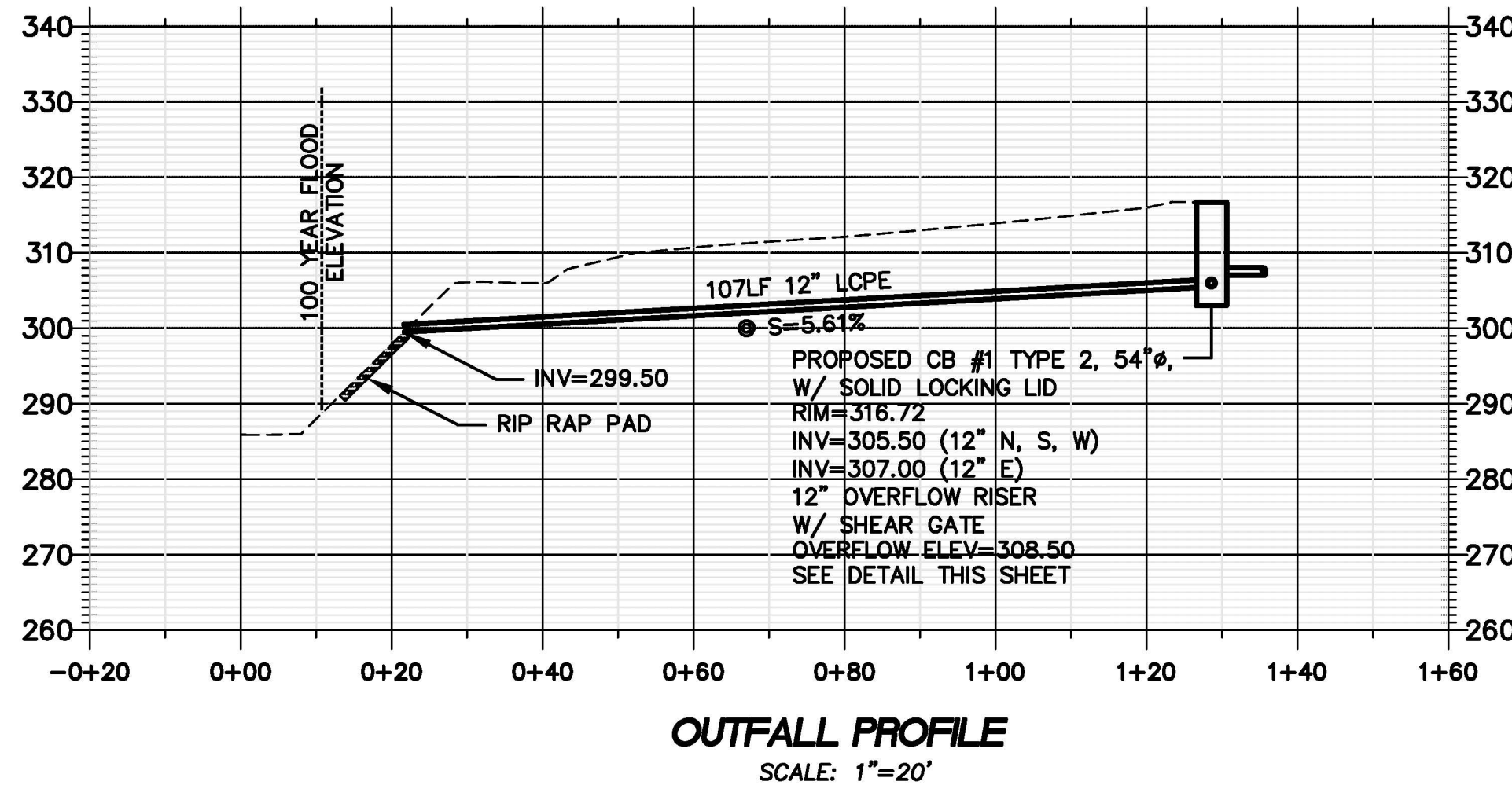


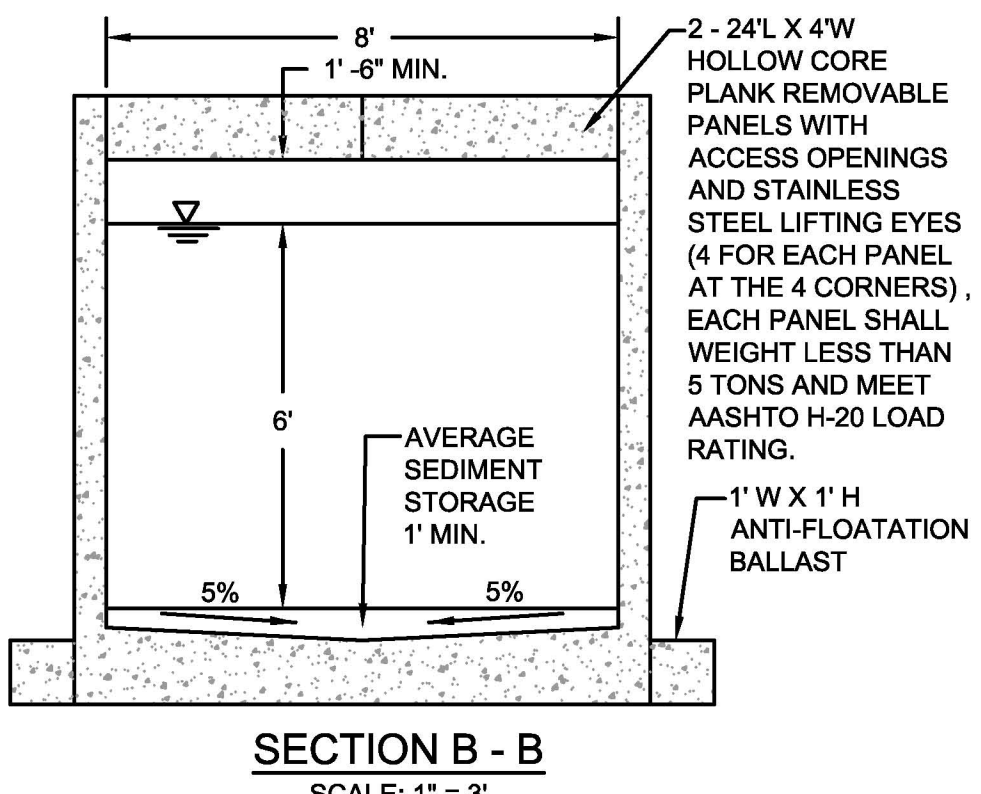
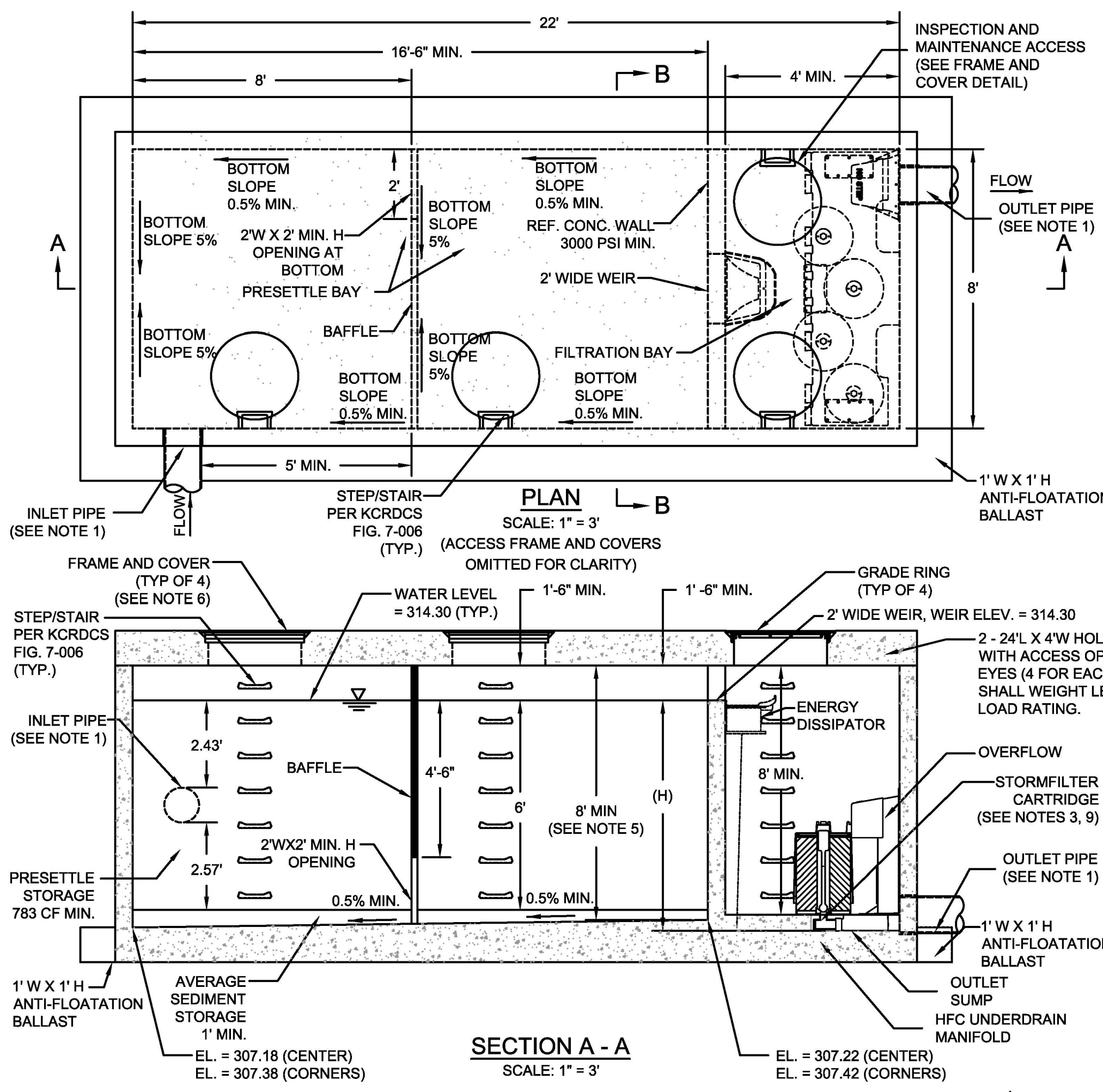
THE SW CORNER OF THE SW 1/4, NW 1/4, SEC. 12, TWP. 23 N., RGE. 04 E., W.M.



| STORMFILTER DESIGN TABLE                |                       |
|---|-----------------------|
| CARTRIDGE HEIGHT                        | 27"                   |
| SYSTEM HYDRAULIC DROP (H - REQ'D. MIN.) | 3.05'                 |
| TREATMENT BY MEDIA SURFACE AREA         | 1 gpm/ft <sup>2</sup> |
| CARTRIDGE FLOW RATE (gpm)               | 11.25                 |

• THE 8'X22' STORMFILTER TREATMENT CAPACITY VARIES BY NUMBER OF FILTER CARTRIDGES INSTALLED AND BY REGION SPECIFIC INTERNAL FLOW CONTROLS. CONVEYANCE CAPACITY IS RATED AT 1.8 CFS.  
• THE STANDARD CONFIGURATION IS SHOWN. ACTUAL CONFIGURATION OF THE SPECIFIED STRUCTURE(S) PER CIVIL ENGINEER WILL BE SHOWN ON SUBMITTAL DRAWING(S).  
• ALL PARTS PROVIDED AND INTERNAL ASSEMBLY BY CONTECH STORMWATER SOLUTIONS UNLESS OTHERWISE NOTED.

- GENERAL NOTES**
- INLET AND OUTLET PIPING SHALL BE SPECIFIED BY SITE CIVIL ENGINEER (SEE PLANS) AND PROVIDED BY CONTRACTOR. STORMFILTER IS PROVIDED WITH OPENINGS AT INLET AND OUTLET LOCATIONS. PIPES SHALL BE SEALED WITH NON-POROUS, NON-SHRINKING GROUT.
  - IF THE PEAK FLOW RATE, AS DETERMINED BY THE SITE CIVIL ENGINEER, EXCEEDS THE PEAK HYDRAULIC CAPACITY OF THE PRODUCT, AN UPSTREAM BYPASS STRUCTURE IS REQUIRED. PLEASE CONTACT CONTECH STORMWATER SOLUTIONS FOR OPTIONS.
  - THE FILTER CARTRIDGE(S) IS SIPHON-ACTUATED AND SELF-CLEANING. THE STANDARD DETAIL DRAWING SHOWS THE MAXIMUM NUMBER OF CARTRIDGES. THE ACTUAL NUMBER SHALL BE SPECIFIED BY THE SITE CIVIL ENGINEER ON SITE PLANS OR IN DATA TABLE BELOW. PRECAST STRUCTURE TO BE CONSTRUCTED IN ACCORDANCE WITH ASTM C857 AND C858.
  - SEE STORMFILTER DESIGN TABLE FOR REQUIRED HYDRAULIC DROP. FOR SHALLOW, LOW DROP OR SPECIAL DESIGN CONSTRAINTS, CONTACT CONTECH STORMWATER SOLUTIONS FOR DESIGN OPTIONS.
  - ALL WATER QUALITY PRODUCTS REQUIRE PERIODIC MAINTENANCE AS OUTLINED IN THE O&M GUIDELINES. PROVIDE MINIMUM CLEARANCE FOR MAINTENANCE ACCESS.
  - STRUCTURE AND ACCESS COVERS TO MEET AASHTO H-20 LOAD RATING.
  - THE STRUCTURE THICKNESSES SHOWN ARE FOR REPRESENTATIONAL PURPOSES AND VARY REGIONALLY.
  - ANY BACKFILL DEPTH, SUB-BASE, AND OR ANTI-FLOTATION PROVISIONS ARE SITE-SPECIFIC DESIGN CONSIDERATIONS AND SHALL BE SPECIFIED BY SITE CIVIL ENGINEER.
  - STANDARD CARTRIDGE HEIGHT IS 27" (SHOWN). CARTRIDGE HEIGHT AND ASSOCIATED DESIGN PARAMETERS PER STORMFILTER DESIGN TABLE.
  - STORMFILTER BY CONTECH STORMWATER SOLUTIONS: (800) 925-5240.



**SITE SPECIFIC DATA REQUIREMENTS**

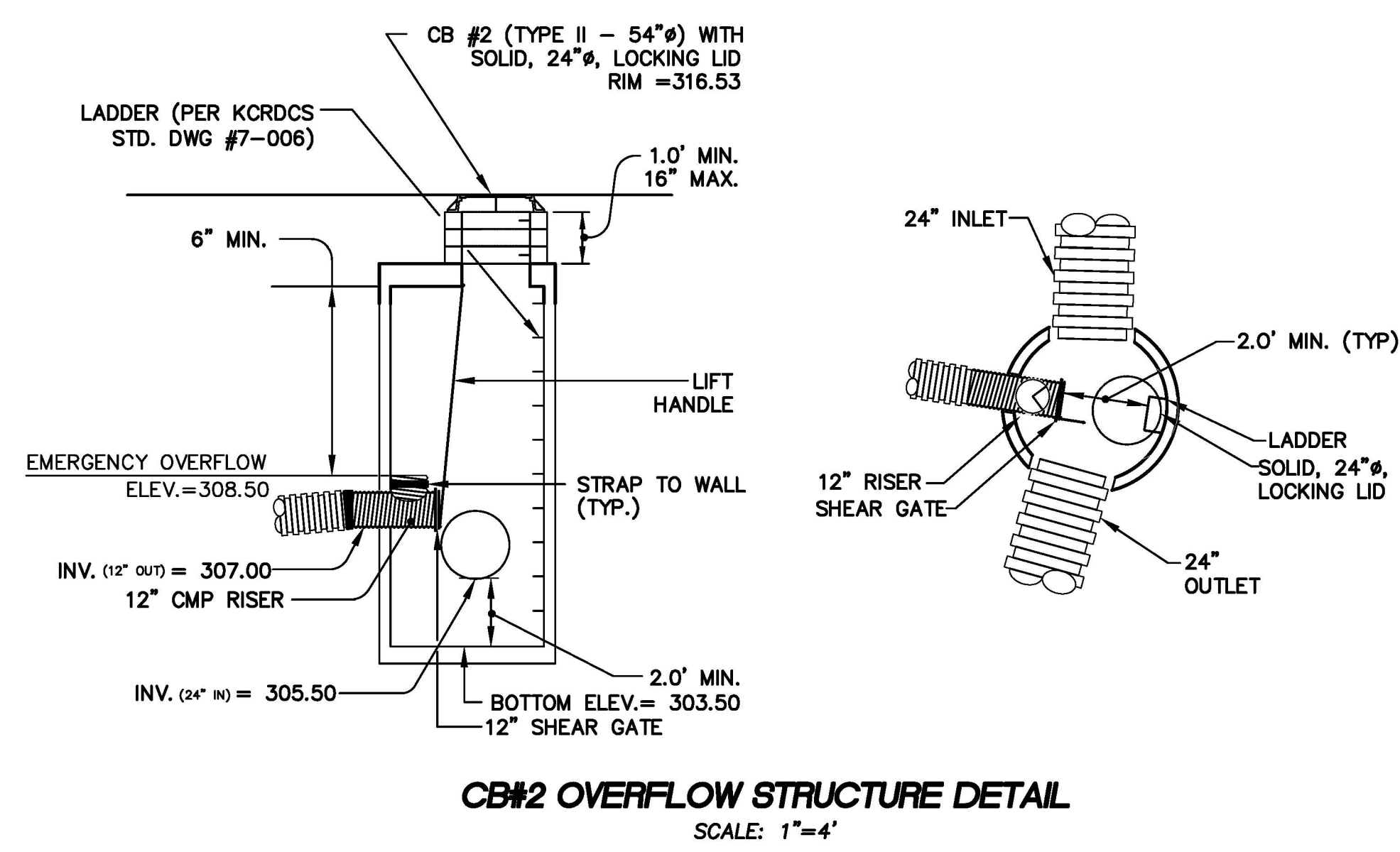
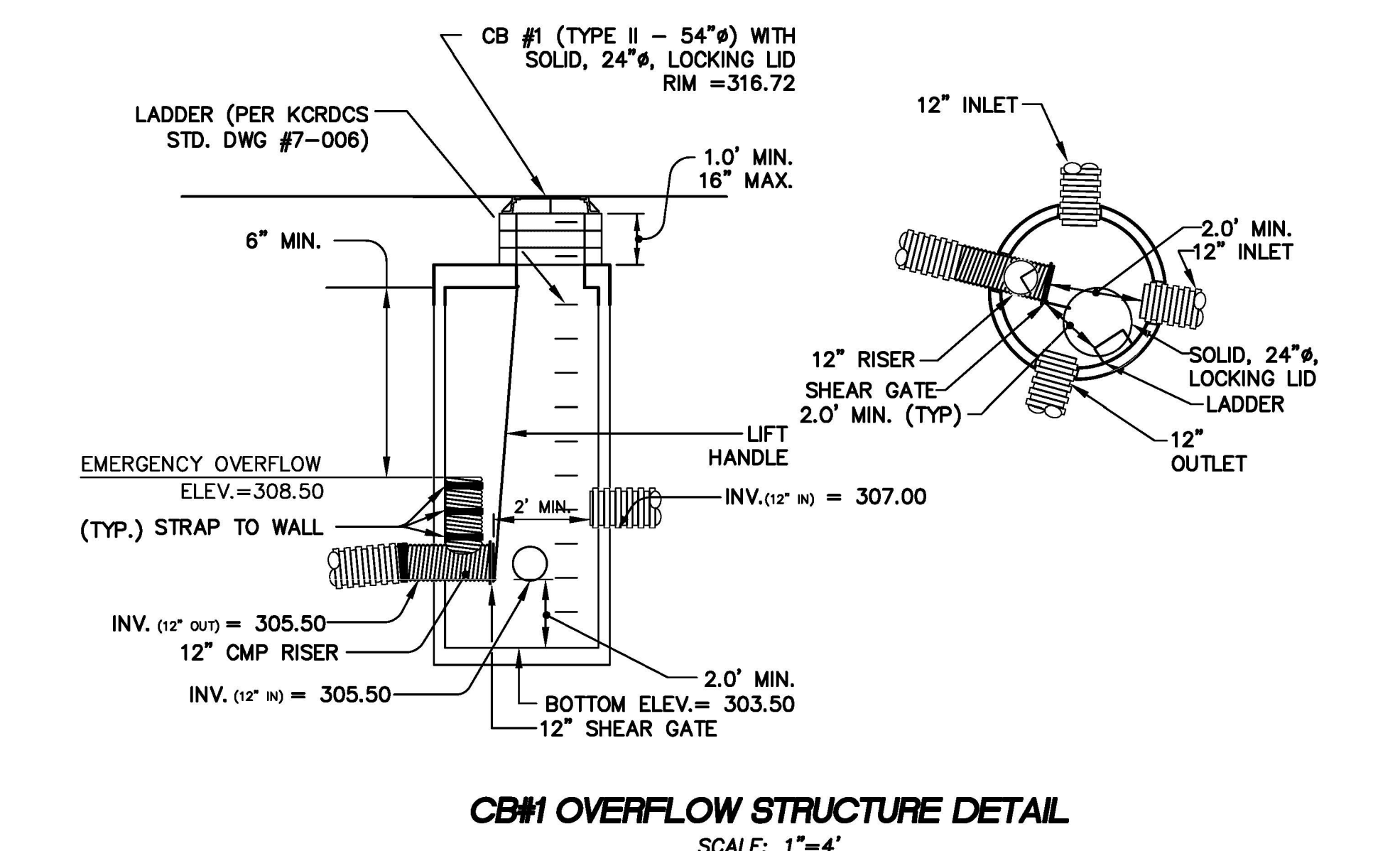
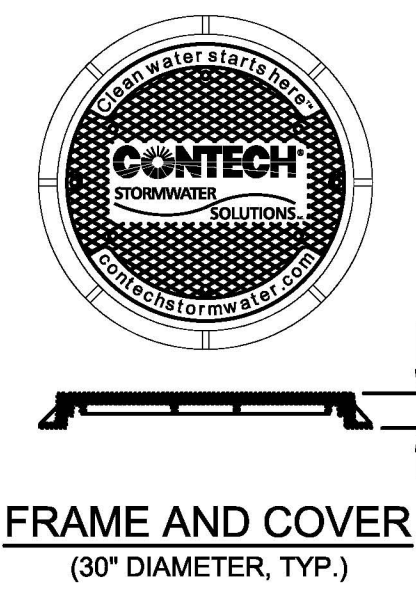
| STRUCTURE ID                     | SF#1     |
|----------------------------------|----------|
| WATER QUALITY FLOW RATE (cfs)    | 0.099    |
| PEAK FLOW RATE (cfs)             | 0.870    |
| RETURN PERIOD OF PEAK FLOW (yrs) | 100      |
| # OF CARTRIDGES REQUIRED         | 4        |
| CARTRIDGE FLOW RATE              | 11.25GPM |
| MEDIA TYPE (CSF, PERLITE, ZPG)   | ZPG      |

| PIPE DATA:    | I.E.   | MATERIAL | DIAMETER |
|---------------|--------|----------|----------|
| INLET PIPE #1 | 311.00 | LCPE     | 12       |
| INLET PIPE #2 | N/A    | N/A      | N/A      |
| OUTLET PIPE   | 307.10 | LCPE     | 12       |

| UPSTREAM RIM ELEVATION   | 316.80 |
|--------------------------|--------|
| CENTER RIM ELEVATION     | 316.70 |
| DOWNSTREAM RIM ELEVATION | 316.70 |

| ANTI-FLOTATION BALLAST | WIDTH | HEIGHT |
|------------------------|-------|--------|
|                        | 12"   | 12"    |

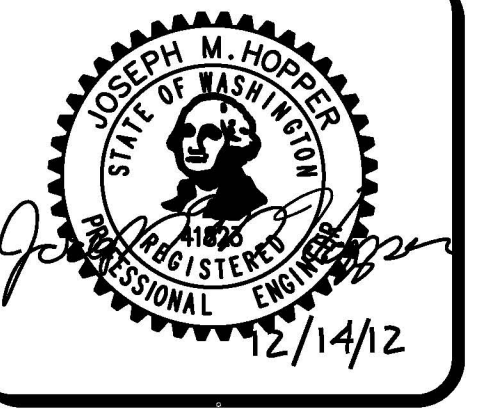
NOTES/SPECIAL REQUIREMENTS:  
\* PER SITE CIVIL ENGINEER



**CONTECH STORMWATER SOLUTIONS**

**THE STORMWATER MANAGEMENT STORMFILTER®**  
8' x 22' STORMFILTER  
DETAIL

This drawing and/or electronic file shall not be modified without the approval of CONTECH Stormwater Solutions. This product may be protected by one or more of the following US patents: 5,322,629; 5,624,576; 5,707,527; 5,985,157; 6,027,639; 6,649,048; related foreign patents, or other patents pending.



**Pacific Engineering Design, LLC**  
Civil Engineering & Planning Consultants

Phone: (206) 431-7970 Fax: (206) 388-1648  
15445 53RD Ave. S. Seattle, WA 98188 www.paceng.com

**Taylor Creek Apartments**  
KING COUNTY

RYAN GROUWS  
G3 INVESTMENTS, LLC  
P.O. BOX 78448  
SEATTLE, WA 98178  
Phone: (425) 255-5747  
Fax: (425) 255-4882

PROJECT NO.: 10018  
DRAWN BY: ENM  
ISSUE DATE: 2010-12-01  
SHEET REV.: 2012-12-14

**STORM DRAIN NOTES AND DETAILS**

10018RSEC01.DWG  
**C06**  
SHEET 06 OF 11