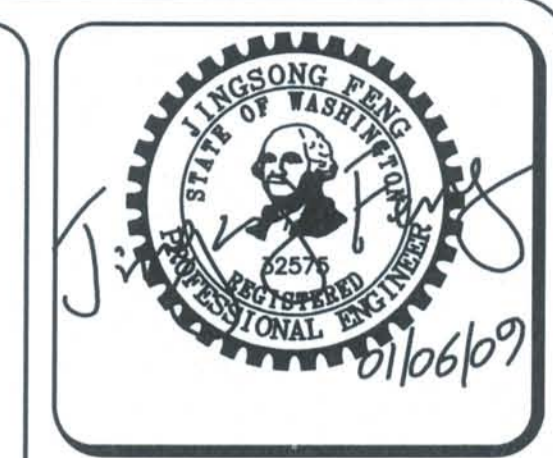
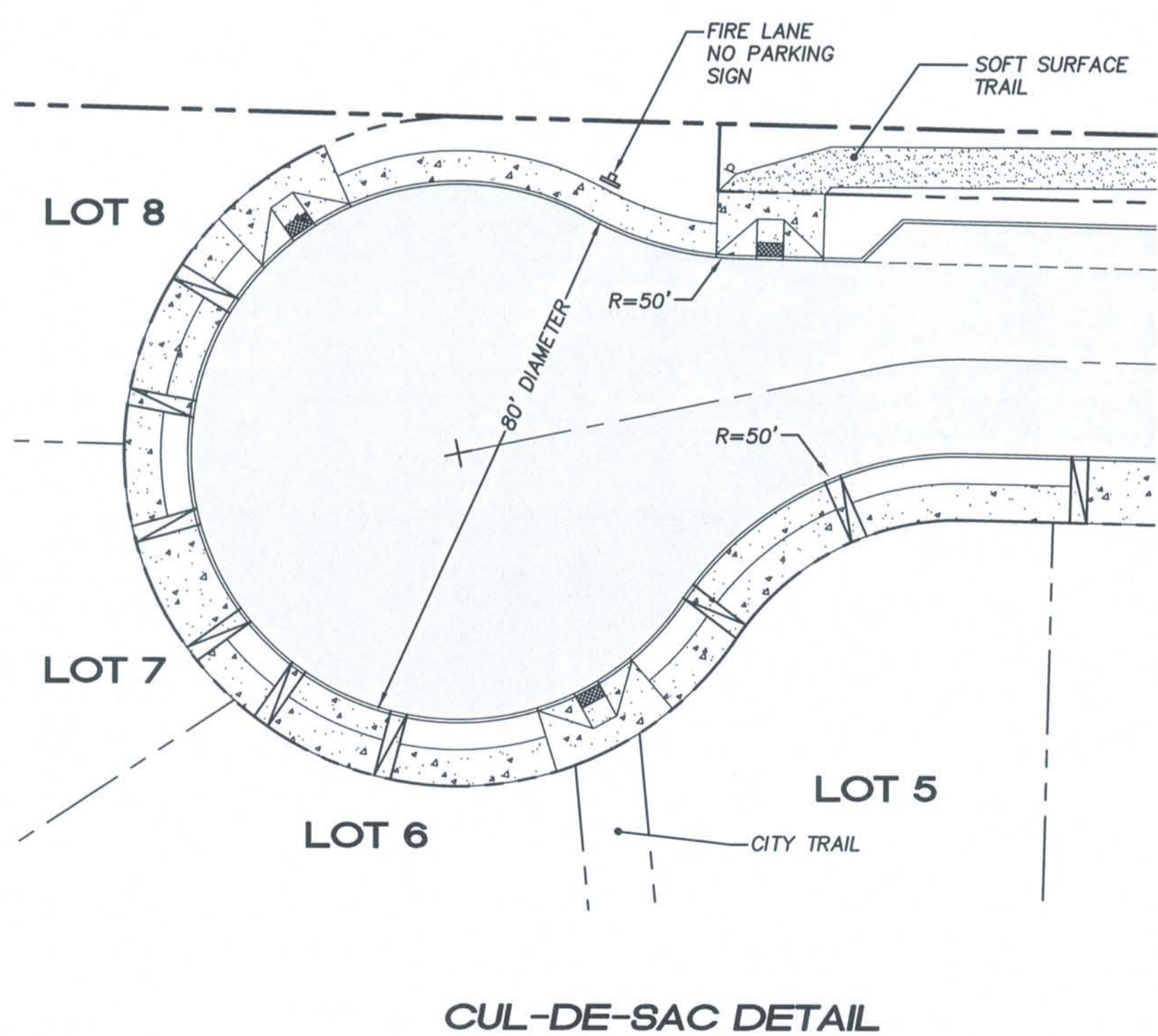
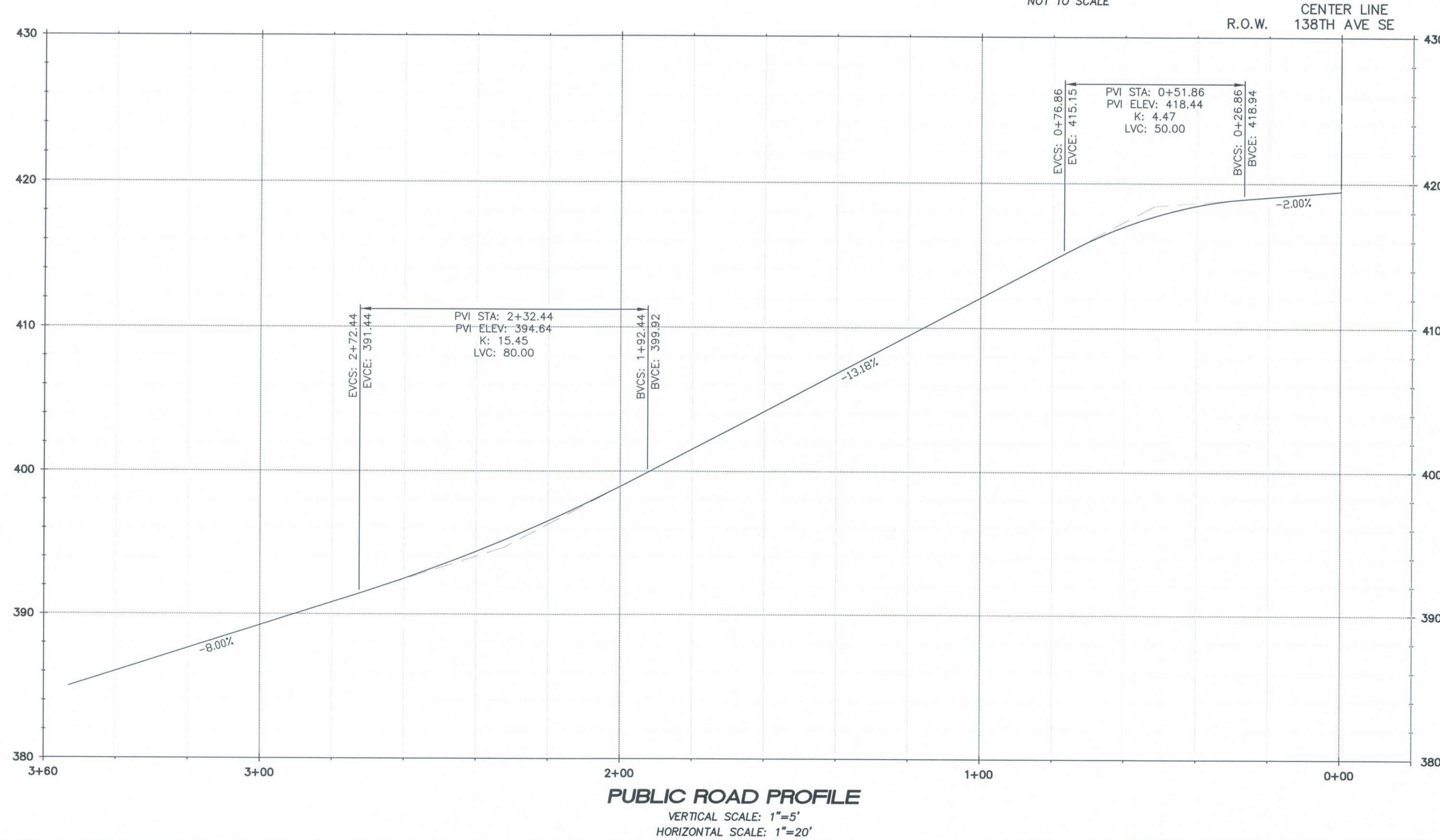
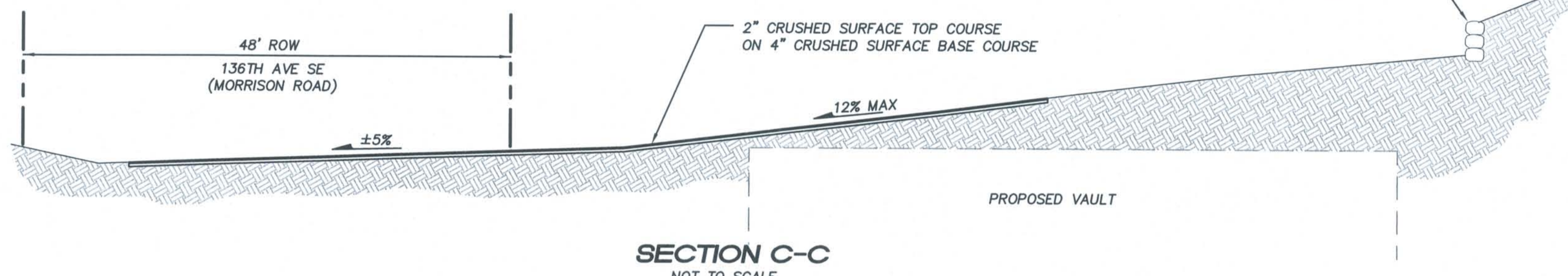
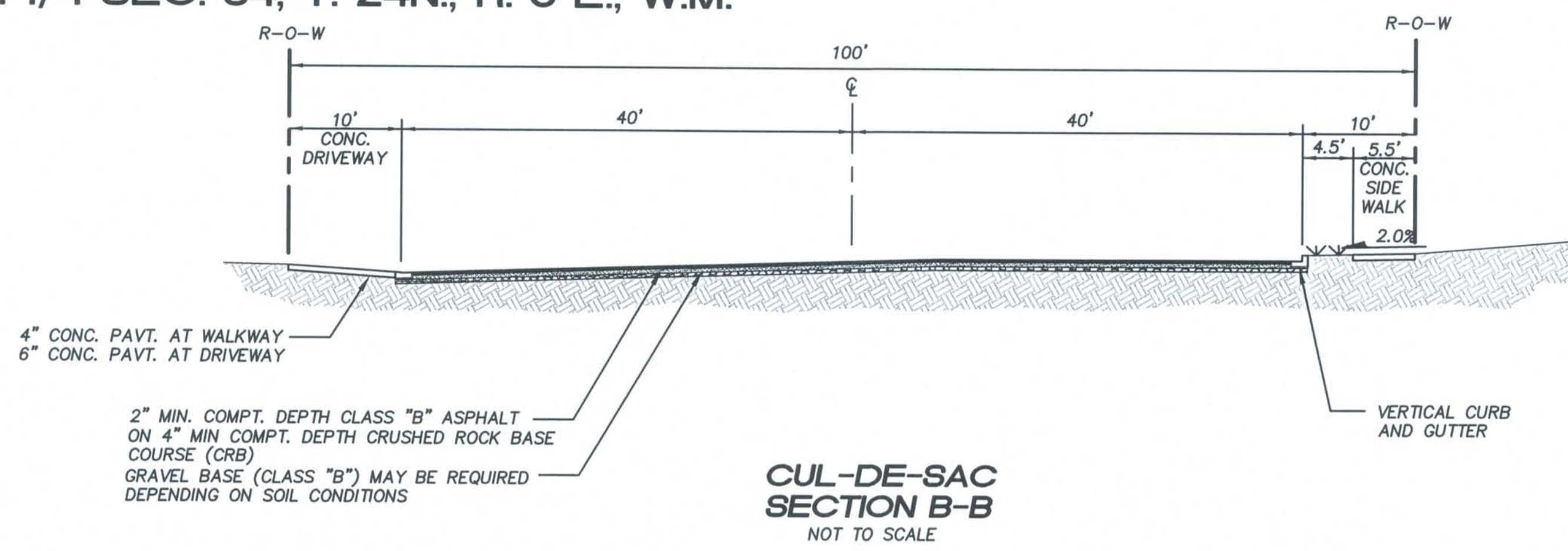
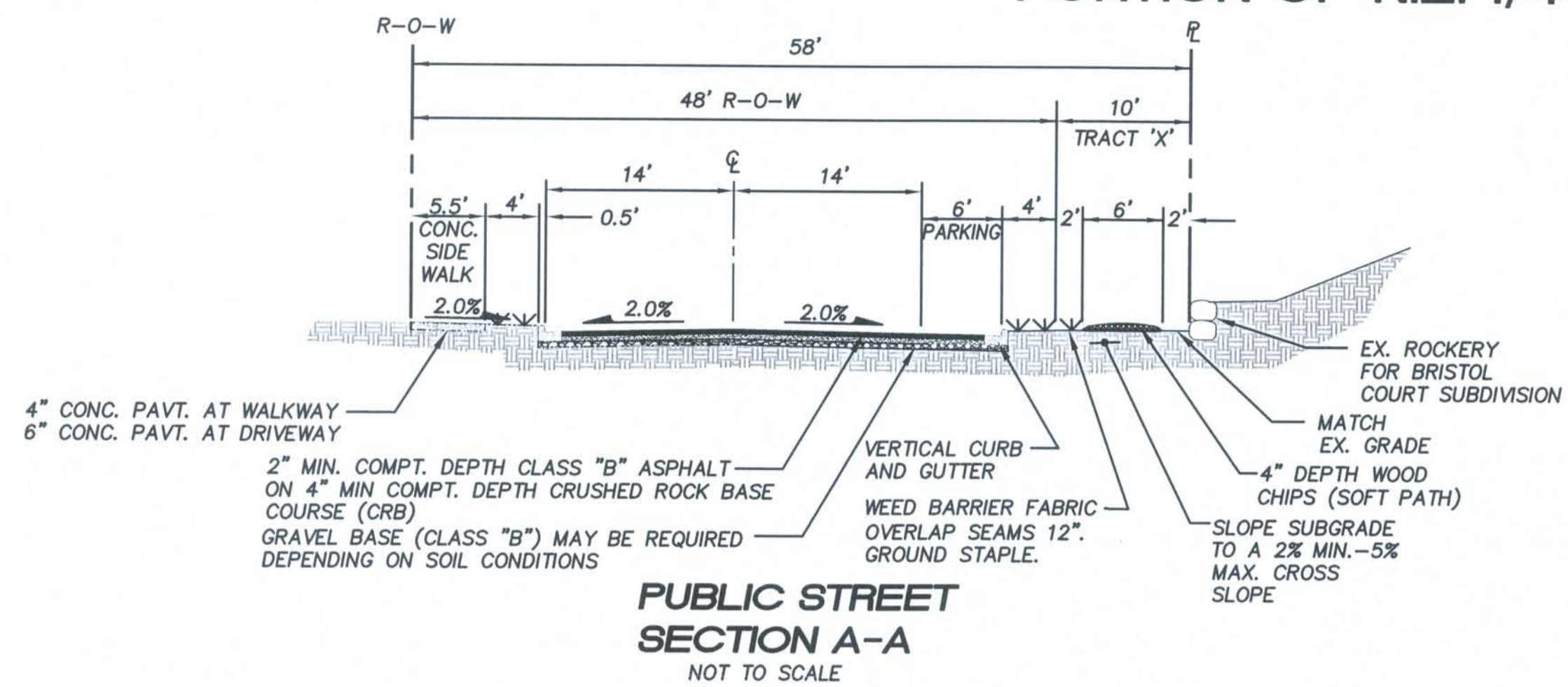


REVISIONS:

PORTION OF N.E. 1/4 S.W. 1/4 SEC. 34, T. 24N., R. 5 E., W.M.



15445 53RD AVE. S.  
SEATTLE, WA 98188  
PHONE: (206) 431-7970  
FAX: (206) 388-1648  
WEB SITE: PACENG.COM

**Pacific Engineering Design, LLC**  
Civil Engineering and Planning Consultants

**TRACT 'J' SUBDIVISION**  
CITY OF NEWCASTLE

FOR THE HIGHLANDS AT NEWCASTLE, LLC  
BELLEVUE, WA 98004-1447  
PHONE: (425) 739-3850  
FAX: (425) 827-0462

PROJECT NO.: 07052  
DRAWN BY: ENM  
ISSUE DATE: 07-02-08  
SHEET REV.: 01-08-09

NOTES AND DETAILS

07052NT01-P07-P08.DWG  
**P08**