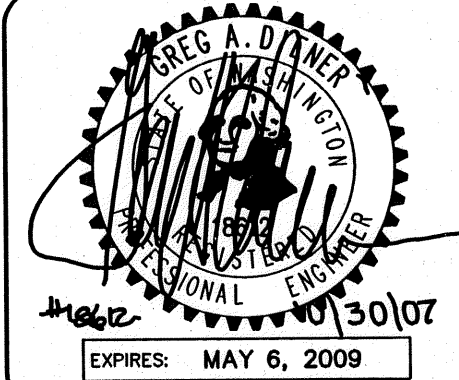


PORTION OF THE S.E. 1/4, S.E. 1/4, SECTION 4, TOWNSHIP 23 NORTH, RANGE 5 EAST, W.M.

DATE:	FILEBOOK:	PAGE:	DRAWING NO.:	SHEET:	OF:
			CO3	3	28
REEDSHAW PLAT					
TEMPORARY EROSION AND SEDIMENTATION CONTROL DETAILS					
CITY OF RENTON					
REEDSHAW PLAT					
RENTON, WA					
FOR: MASTRO PROPERTIES SOUTH SEATTLE, WA 98144 PHONE: (206) 276-7124 FAX: (206) 735-4689					
PROJECT NO.: 06085					
DRAWN BY: VK					
ISSUE DATE: 12/05/06					
SHEET REV.: 10/30/07					
TEMPORARY EROSION AND SEDIMENTATION CONTROL DETAILS					
06085TE02-C03.DWG					
C03					
SHEET 3 OF 28					



15445 53RD AVE. S.
SEATTLE, WA 98188
PHONE: (206) 431-7970
FAX: (206) 388-1648
WEB SITE: PACENG.COM

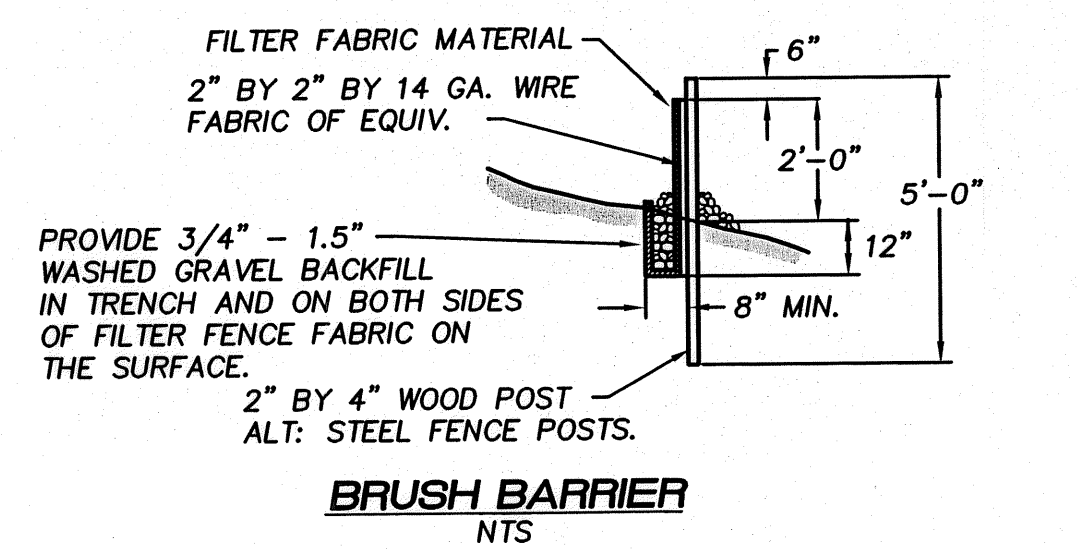
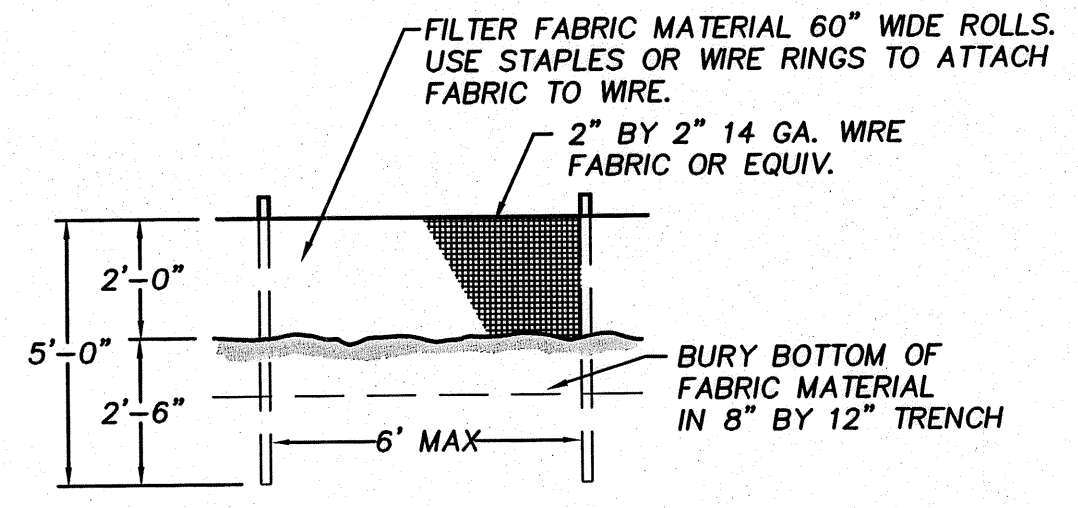
Pacific Engineering Design, LLC
Civil Engineering and Planning Consultants

REEDSHAW PLAT
RENTON, WA

PROJECT NO.: **06085**
DRAWN BY: **VK**
ISSUE DATE: **12/05/06**
SHEET REV.: **10/30/07**

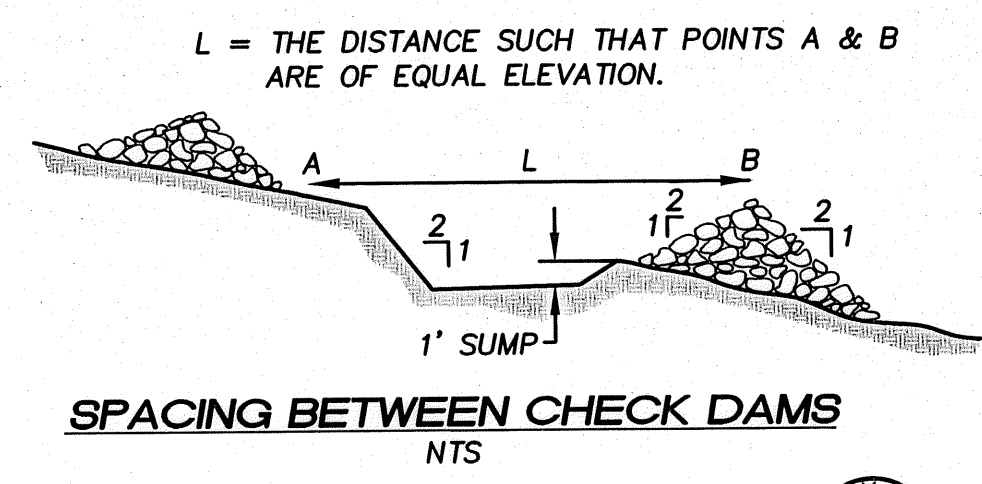
TEMPORARY EROSION AND SEDIMENTATION CONTROL DETAILS

06085TE02-C03.DWG
C03
SHEET 3 OF 28

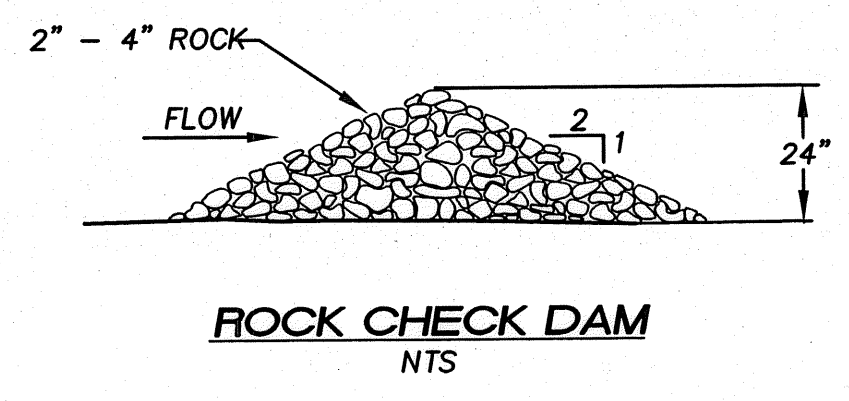


- NOTES:**
- FOR SHEET RUNOFF OR FOLLOWING DISCHARGE FROM A SEDIMENT TRAP OR POND.
 - MAXIMUM SLOPE STEEPNESS PERPENDICULAR TO FENCE LINE IS 1:1.
 - MAXIMUM SHEET OR OVERLAND FLOW PATH LENGTH TO THE FENCE OF 100 FT.
 - IF 50% OR LESS OF THE SOIL, BY WEIGHT, IS FINE PARTICLES SMALLER THAN THE U.S. STANDARD SIEVE NO. 200, THE EOS SHOULD BE EQUAL TO OR SMALLER THAN THE SIEVE SIZE THAT 85% OF THE SOIL CAN PASS THROUGH.
 - THE TRENCH SHALL BE BACKFILLED WITH 3/4" MINIMUM DIAMETER WASHED GRAVEL.
 - FILTER FABRIC FENCES SHALL BE REMOVED WHEN THEY HAVE SERVED THEIR USEFUL PURPOSE, BUT NOT BEFORE THE UPSLOPE AREA HAS BEEN PERMANENTLY STABILIZED.
 - FILTER FABRIC FENCES SHALL BE INSPECTED IMMEDIATELY AFTER EACH RAINFALL AND AT LEAST DAILY DURING PROLONGED RAINFALL. ANY REPAIRS SHALL BE MADE IMMEDIATELY.

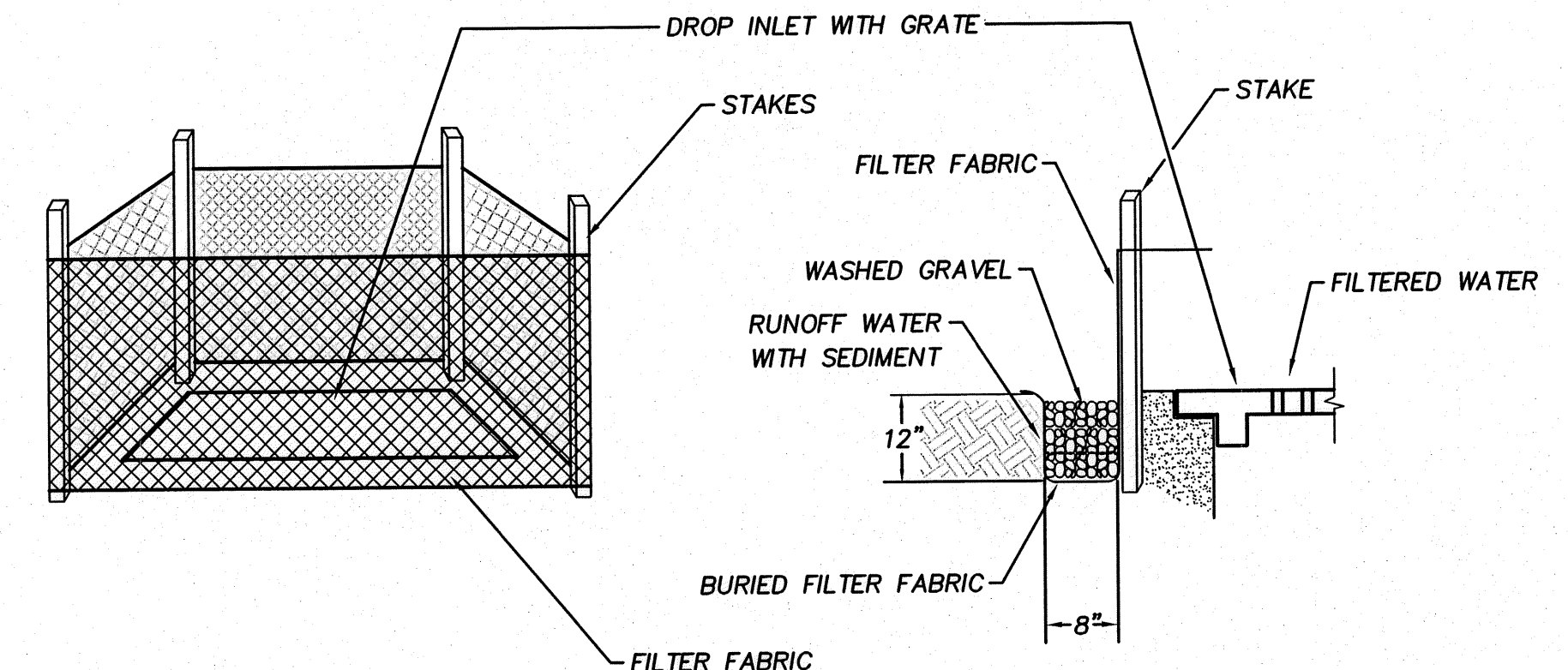
FILTER FABRIC FENCE DETAIL
DWG. NAME : BR21 SP. PAGE : B066



CHECK DAMS
DWG. NAME : BR20 SP. PAGE : B067

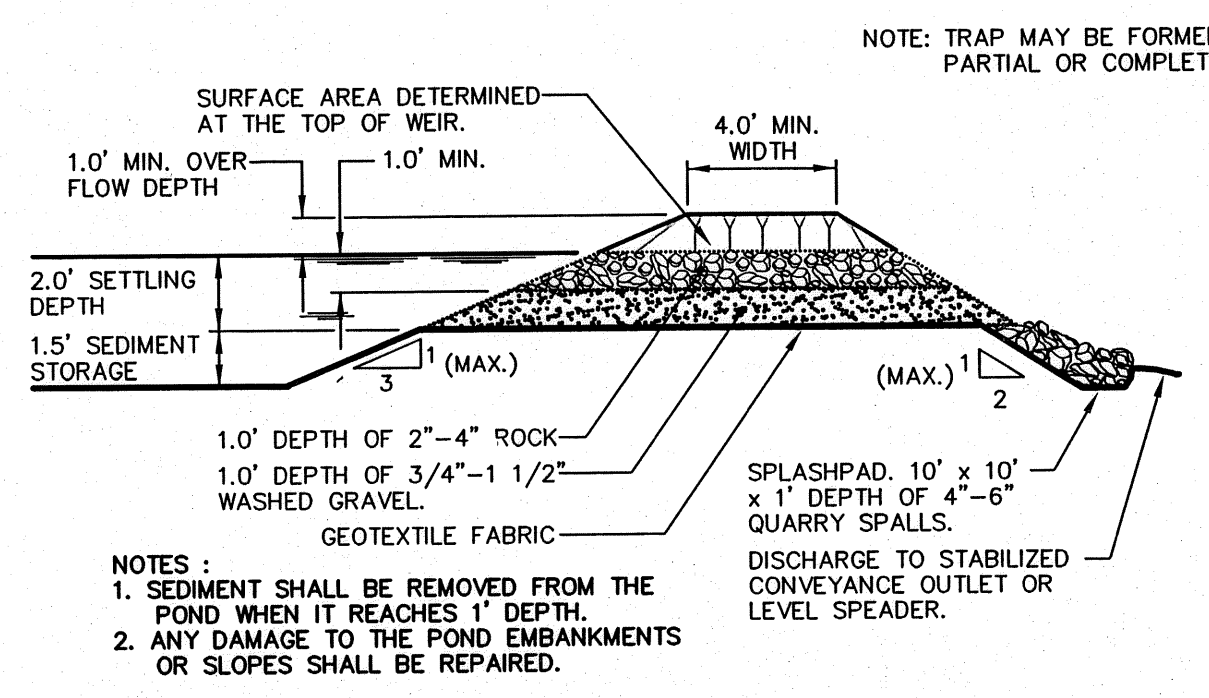


TEMPORARY CONSTRUCTION ENTRANCE
DWG. NAME : BR23 SP. PAGE : B068

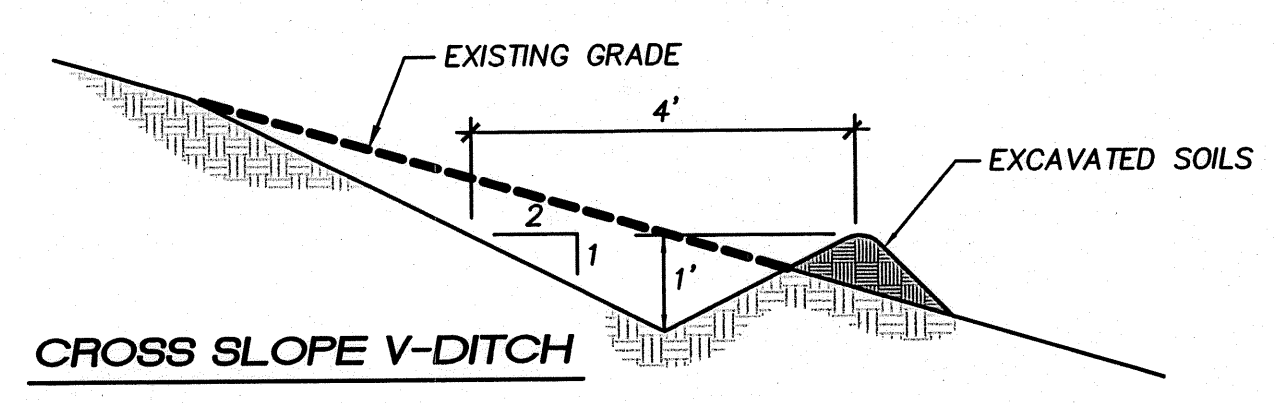
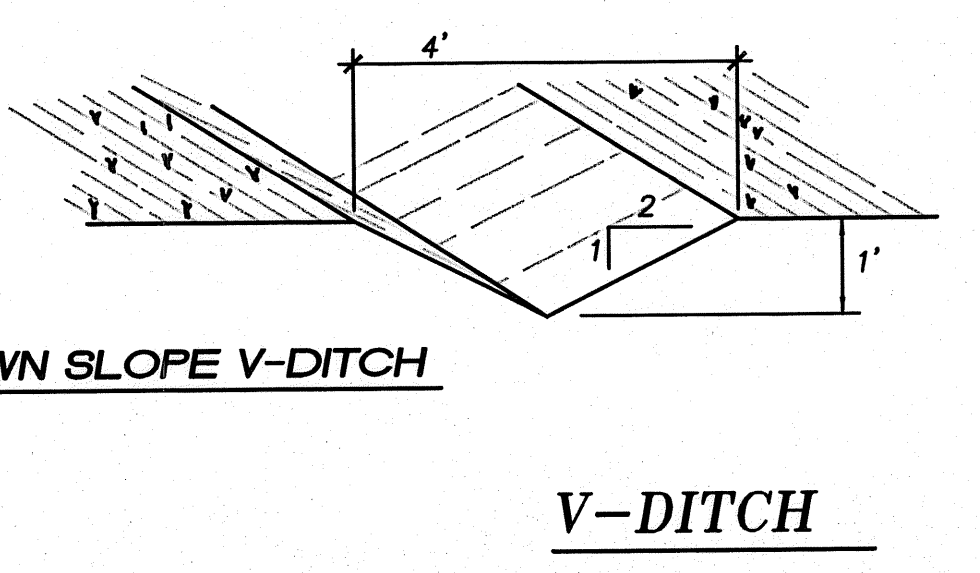


- NOTES:**
- EXTEND THE FILTER FENCE/WIRE MESH BEYOND THE INLET OPENING AT LEAST 18" ON ALL SIDES.
 - PLACE 3/4" TO 3" GRAVEL OVER THE FILTER FABRIC/WIRE MESH. THE DEPTH OF GRAVEL SHOULD BE AT LEAST 12" OVER THE ENTIRE INLET OPENING.
 - IF THE GRAVEL FILTER BECOMES CLOGGED WITH SEDIMENT, THE GRAVEL MUST BE PULLED AWAY FROM THE INLET AND CLEANED OR REPLACED. AN ALTERNATIVE APPROACH WOULD BE TO USE THE CLOGGED GRAVEL AS FILL AND PUT FRESH GRAVEL AROUND THE INLET.

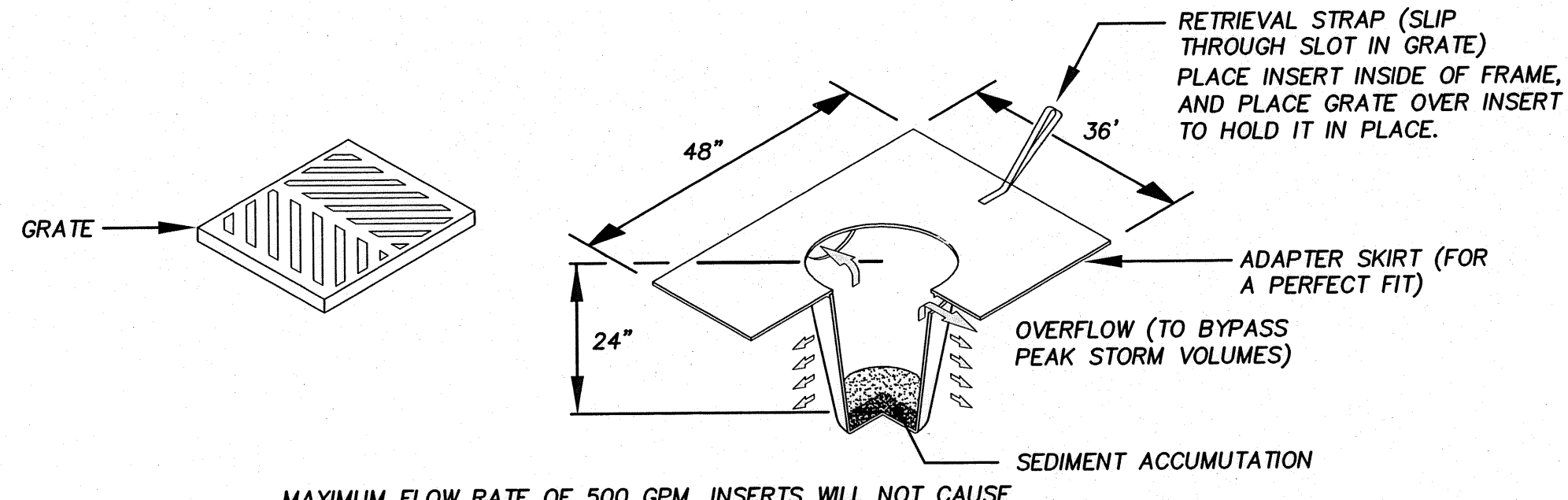
FILTER FABRIC FENCE INLET BARRIER
DWG. NAME : BR22A SP. PAGE : B069.1



TEMPORARY EROSION CONTROL POND OUTFALL



V-DITCH



MAXIMUM FLOW RATE OF 500 GPM, INSERTS WILL NOT CAUSE PONDING. FITS ANY SIZE CATCHBASIN UP TO 30" x 40".

CATCH BASIN INSERT

CHECKED FOR COMPLIANCE TO CITY STANDARDS

RECOMMENDED FOR APPROVAL

BY: *[Signature]* DATE: *11/9/08*

R-337203