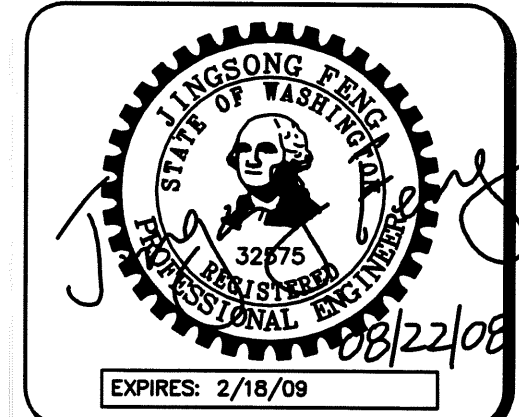


NW 1/4 OF SW 1/4 OF SEC. 34, T. 24 N., R. 05 E., W.M.

APPROVED FOR CONSTRUCTION

BY: _____ DATE: _____
CITY OF NEWCASTLE

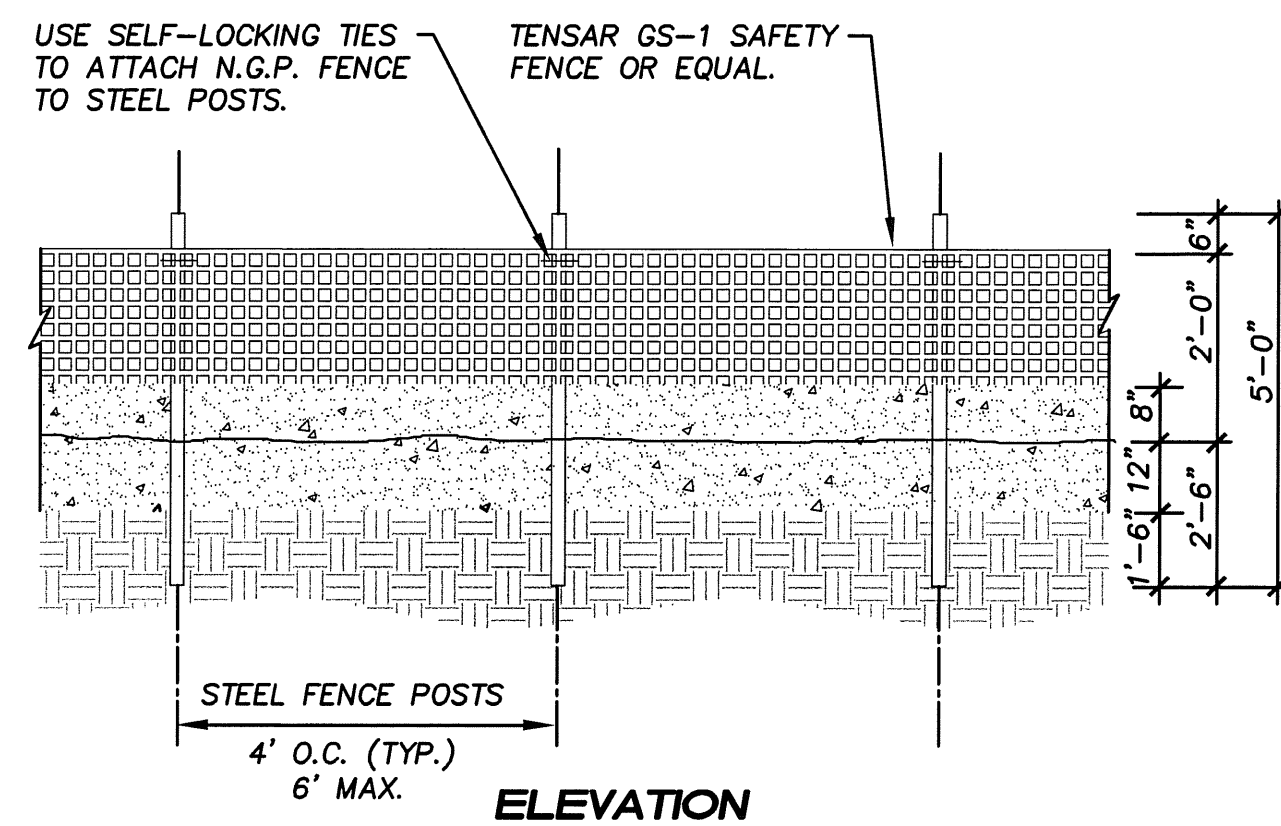
THESE DRAWINGS ARE APPROVED FOR CONSTRUCTION FOR A PERIOD OF 12 MONTHS FROM THE DATE SHOWN HEREON. THE CITY RESERVES THE RIGHT TO MAKE REVISIONS, ADDITIONS, DELETIONS, OR MODIFICATIONS SHOULD CONSTRUCTION BE DELAYED BEYOND THIS TIME LIMITATION. THE CITY, BY APPROVING THESE DRAWINGS, ASSUMES NO LIABILITY IN REGARDS TO THEIR ACCURACY OR OMISSIONS.



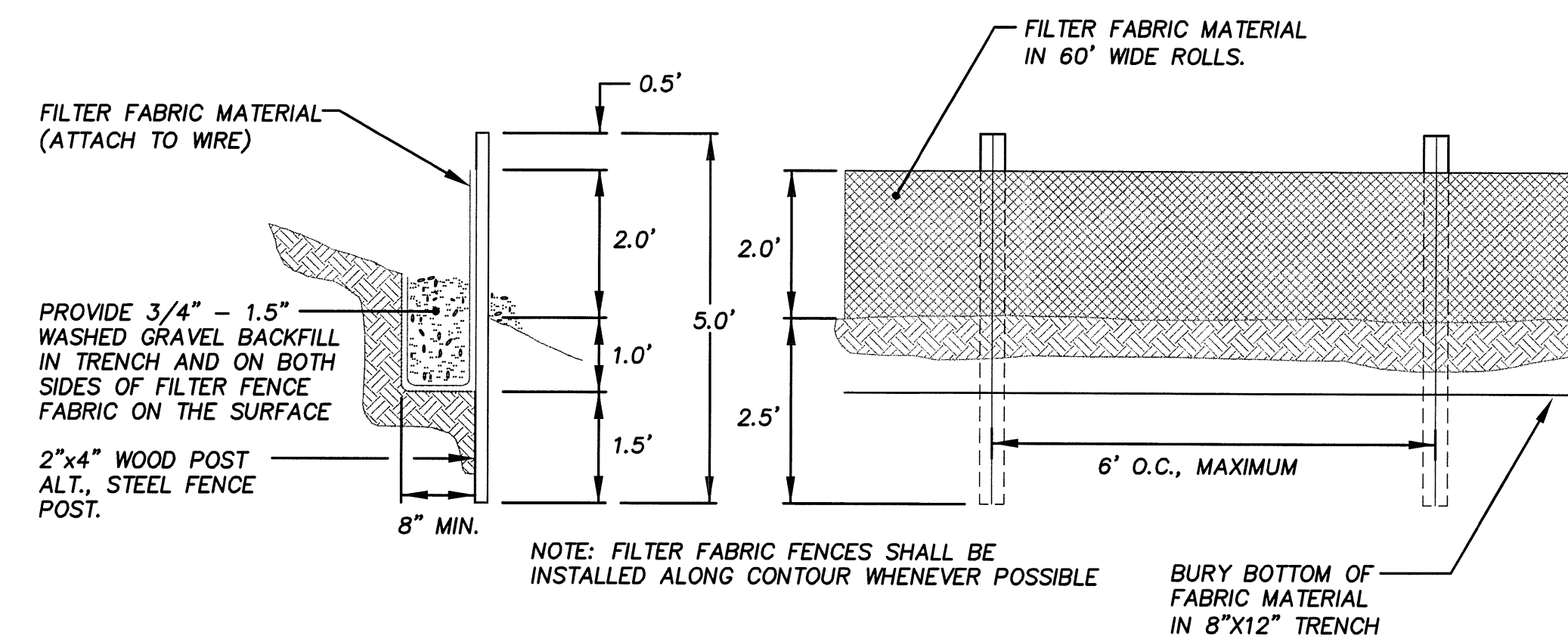
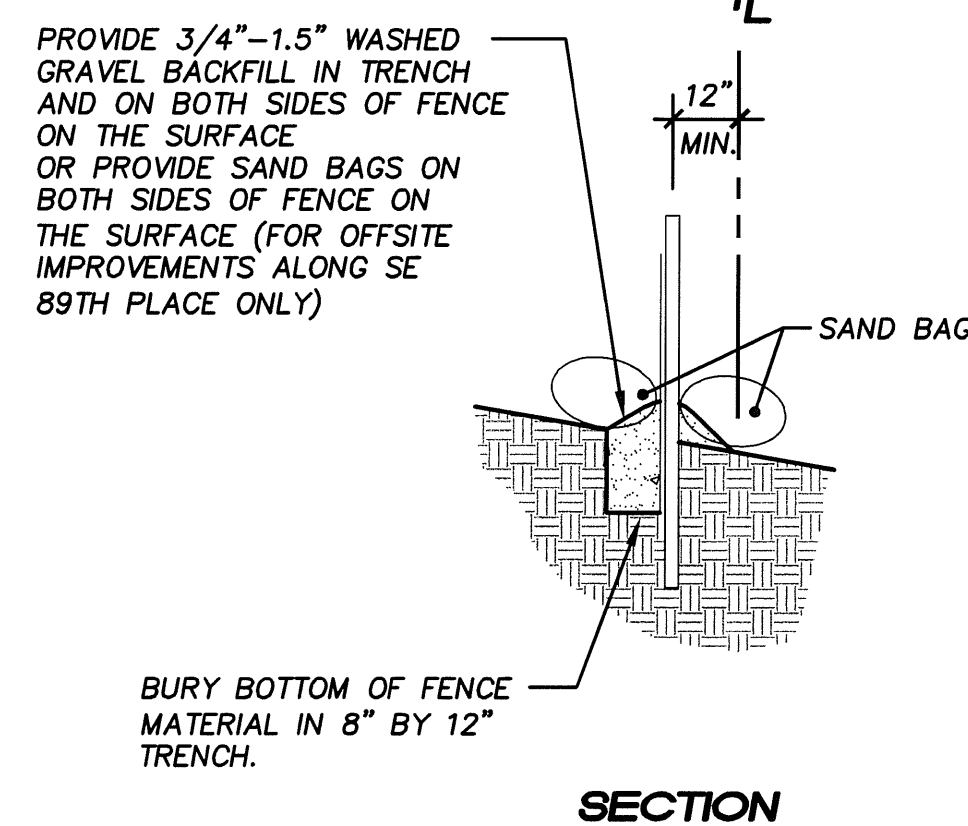
15445 53RD AVE. S.
SEATTLE, WA 98188
PHONE: (206) 431-7970
FAX: (206) 388-1648
WEB SITE: PACENG.COM

Pacific Engineering Design, LLC
Civil Engineering and Planning Consultants

ALL AREAS ADJOINING TRACT "A" SHALL BE PROVIDED WITH AN ACCEPTABLE BOUNDARY DELINEATION BETWEEN ALL AREAS OR PORTIONS OF AREAS AND THE RESTRICTED NATIVE GROWTH AREA CONTAINED WITHIN THE TRACT. SAID BOUNDARY DELINEATION SHALL BE IN PLACE PRIOR TO ANY GRADING OR CLEARING OF THE PROPERTY AND REMAIN IN PLACE UNTIL COMPLETION OF PROJECT. DURING CONSTRUCTION IN THOSE AREAS REQUIRED TO HAVE SILT FENCING, THE SILT FENCE MAY BE SUPPORTED BY THE N.G.P. FENCE.



NATIVE GROWTH PROTECTION FENCE



NOTES:

1. THE GEOTEXTILE USED MUST MEET THE STANDARD LISTED BELOW. A COPY OF THE MANUFACTURER'S FABRIC SPECIFICATIONS MUST BE AVAILABLE ON SITE.

AOS (ASTM D4751)	30-100 SIEVE SIZE (0.60-0.15 MM) FOR SLIT FILM 50-100 SIEVE SIZE (0.30-0.15 MM) FOR OTHER FABRICS
WATER PERMITTIVITY (ASTM D4491)	0.02 SEC ⁻¹ MIN.
GRAB TENSILE STRENGTH (ASTM D4632)	180 LBS. MIN. FOR EXTRA STRENGTH FABRIC 100 LBS. MIN. FOR STANDARD STRENGTH FABRIC
GRAB TENSILE ELONGATION (ASTM D4632)	30% MAX.
ULTRAVIOLET RESISTANCE (ASTM D4355)	70% MIN.

2. STANDARD STRENGTH FABRIC REQUIRES WIRE BACKING TO INCREASE THE STRENGTH OF THE FENCE. WIRE BACKING OR CLOSE POST SPACING MAY BE REQUIRED FOR EXTRA STRENGTH FABRIC IF FIELD PERFORMANCE WARRANTS A STRONGER FENCE.
3. WHERE THE FENCE IS INSTALLED, THE SLOPE SHALL BE NO STEEPER THAN 2H:1V.

MAINTENANCE STANDARDS:

1. ANY DAMAGE SHALL BE REPAIRED IMMEDIATELY.
2. IF CONCENTRATED FLOWS ARE EVIDENT UPHILL OF THE FENCE, THEY MUST BE INTERCEPTED AND CONVEYED TO A BARRIER TO FLOW AND THEN CAUSING CHANNELIZATION OF FLOWS PARALLEL TO THE FENCE. IF THIS OCCURS, REPLACE THE FENCE OR REMOVE THE TRAPPED SEDIMENT.
3. SEDIMENT MUST BE REMOVED WHEN THE SEDIMENT IS 6 INCHES HIGH.
4. IF THE FILTER FABRIC (GEOTEXTILE) HAS DETERIORATED DUE TO ULTRAVIOLET BREAKDOWN, IT SHALL BE REPLACED.

SILT FENCE

PURPOSE:
TO RETAIN SEDIMENT FROM VERY SMALL DISTURBED AREAS BY CONSTRUCTION OF A TEMPORARY BARRIER MADE FROM RESIDUE MATERIALS AVAILABLE FROM CLEARING AND GRUBBING THE SITE.

CONDITIONS WHERE PRACTICE APPLIES:
BELOW DISTURBED AREAS SUBJECT TO SHEET AND RILL EROSION, WHERE ENOUGH RESIDUE MATERIAL IS AVAILABLE FOR CONSTRUCTION OF SUCH A BARRIER.
NOTE: DOES NOT REPLACE THE NEED FOR A SEDIMENT TRAP OR POND.

DESIGN CRITERIA/SPECIFICATIONS:
MINIMUM HEIGHT= 3.0'
MAXIMUM HEIGHT= 5.0'
MINIMUM WIDTH= 5.0' AT IT'S BASE.
MAXIMUM WIDTH=15.0'.

A FILTER FENCE ANCHORED OVER THE BRUSH BERM MAY BE REQUIRED BY CITY OF NEWCASTLE INSPECTOR TO ENHANCE THE FILTRATION ABILITY OF THE BARRIER.

VARNEY SUBDIVISION
CITY OF NEWCASTLE

FOR:
GREACEN HOMES, LLC.
1801 140TH AVE NE, STE D
SEATTLE, WA 98148
PHONE: (425) 746-6440, FAX: (425) 766-2303

PROJECT NO.: 06015
DRAWN BY: JGC
ISSUE DATE: 02-01-08
SHEET REV.: 08-22-08

TEMPORARY EROSION/ SEDIMENTATION CONTROL DETAILS

CD\06015TE03-C06.DWG
C06