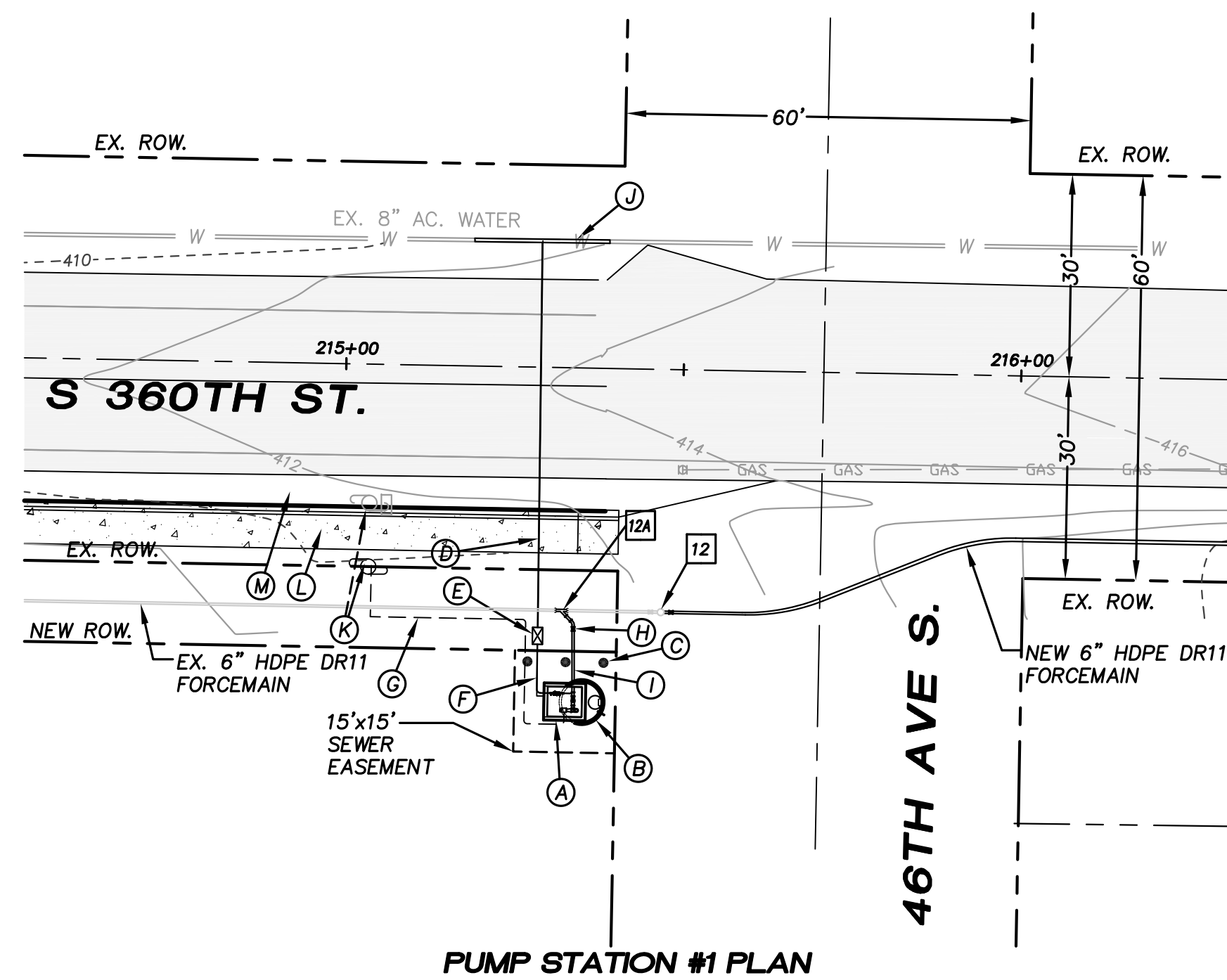
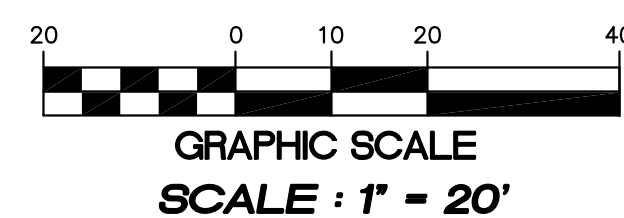


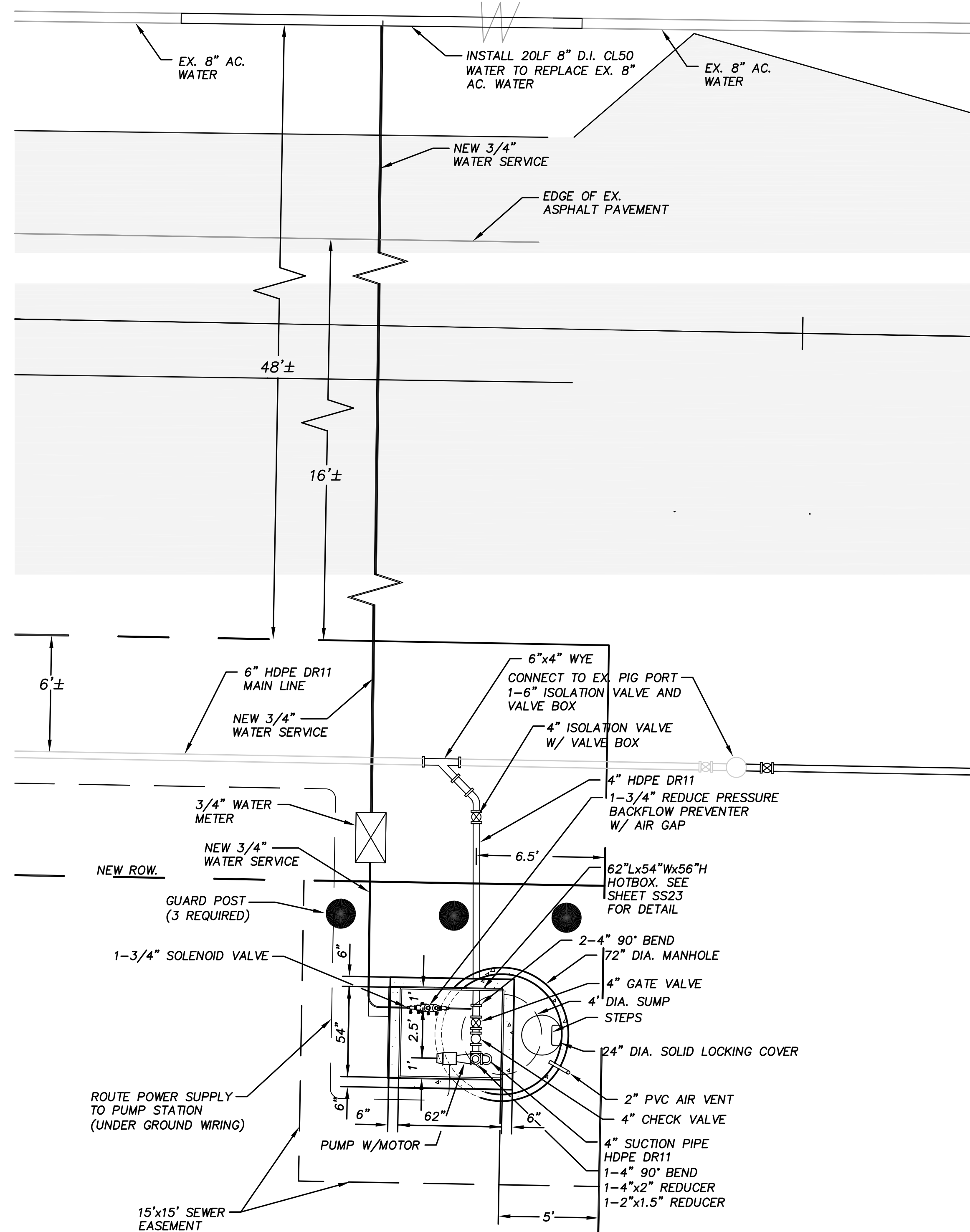
N.W. 1/4, SEC. 26, T. 21 N., R. 4 E., W.M.



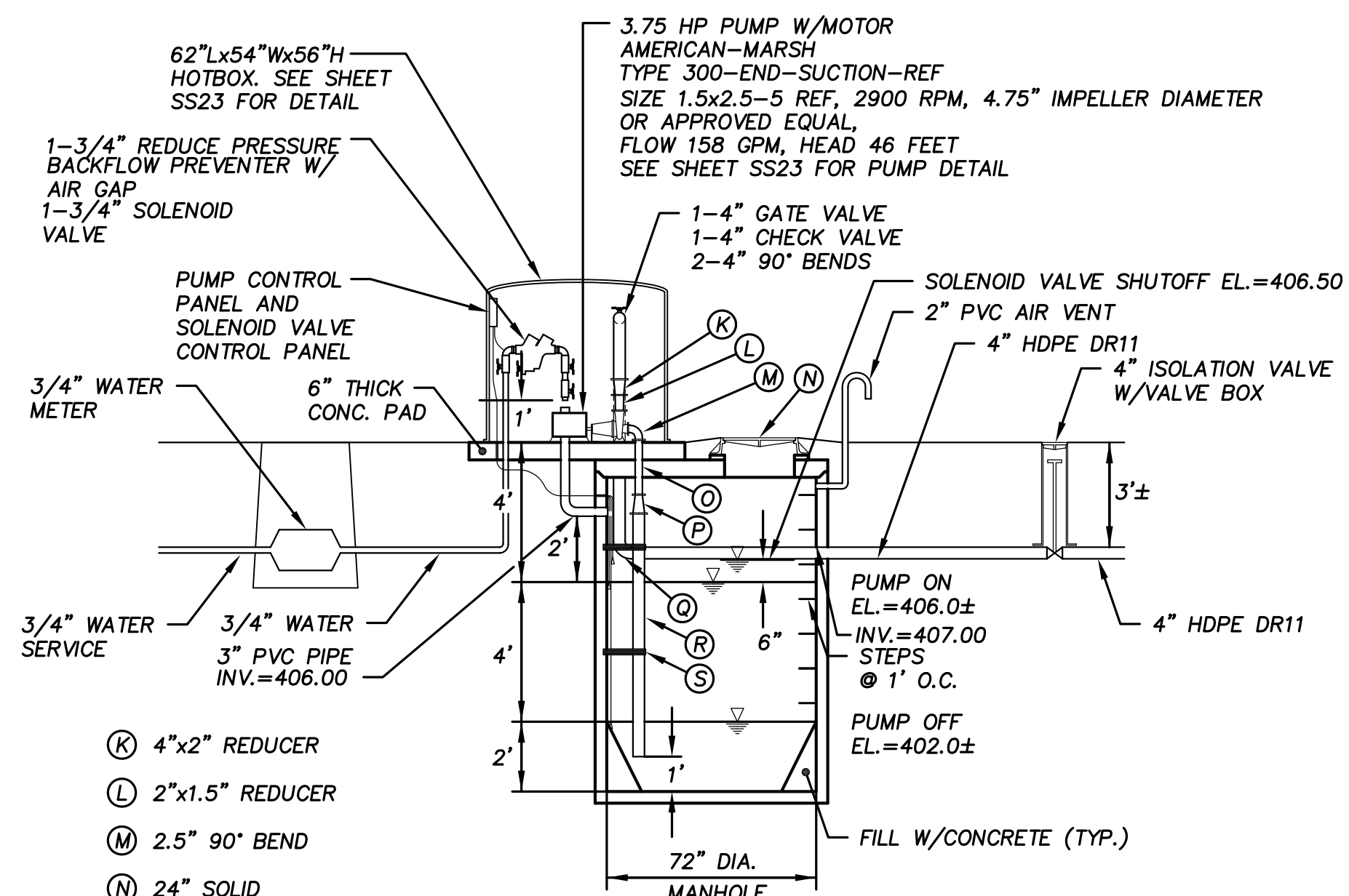
PUMP STATION #1 PLAN



- (A) HOTBOX 62"Lx54"Wx56"H (SEE SHEET SS23 FOR DETAIL)
- (B) FLUSHING PUMP STATION IN 72"Ø MANHOLE (SEE DETAIL RIGHT BELOW)
- (C) GUARD POST (3 REQUIRED)
- (D) 45LF 3/4" WATER
- (E) 3/4" WATER METER
- (F) 6LF 3/4" WATER
- (G) ROUTE POWER SUPPLY TO PUMP STATION (UNDER GROUND WIRING)
- (H) 4" ISOLATION VALVE W/ VALVE BOX
- (I) 8LF 4" HDPE DR11
- (J) INSTALL 20LF 8" D.I. CL50 WATER TO REPLACE EX. 8" AC WATER
- (K) RELOCATE EX. POWER POLE BY OTHERS SEE RAM NIWAS CHURCH PLANS
- (L) NEW CONCRETE SIDEWALK WITH CURB AND GUTTER BY OTHERS SEE RAM NIWAS CHURCH PLANS
- (M) NEW ASPHALT PAVEMENT BY OTHERS SEE RAM NIWAS CHURCH PLANS
- [12A] 215+33, 36.00' R  
1-6"x4" HDPE DR 11 WYE  
1-4" HDPE DR 11 SPOOL  
1-4" HDPE DR 11 45° BEND
- [12] 215+47±, 36.00' R  
CONNECT TO EX. PIG PORT  
1-6" ISOLATION GATE VALVE W/  
VALVE BOX

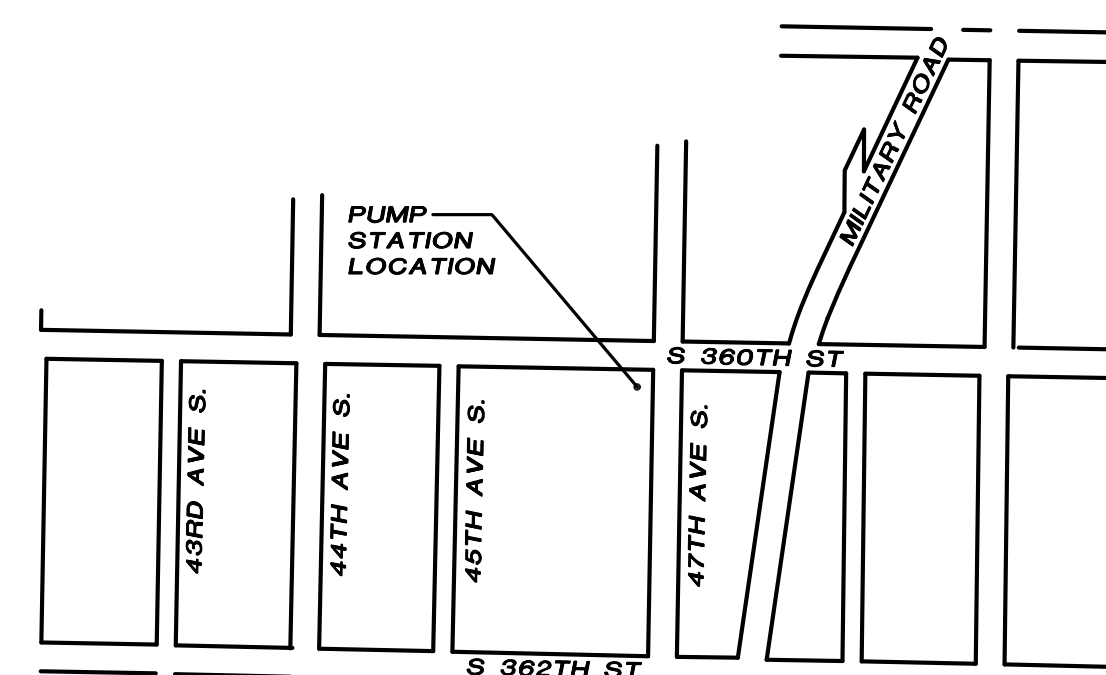


PUMP STATION #1 DETAIL  
SCALE : 1" = 4'



PUMP STATION #1 SECTION  
SCALE : 1" = 4'

- (K) 4"x2" REDUCER
- (L) 2"x1.5" REDUCER
- (M) 2.5" 90° BEND
- (N) 24" SOLID LOCKING COVER RIM=408.0±
- (O) 2.5" HDPE DR11
- (P) 4"x2.5" REDUCER
- (Q) 4" 90° BEND
- (R) 4" SUCTION PIPE HDPE DR11
- (S) PIPE ANCHORS 3' O.C.



PUMP STATION #1 LOCATION MAP  
SCALE : 1" = 500'

LAKEHAVEN UTILITY DISTRICT

Water Plan      Sewer Plan

Dated \_\_\_\_\_

APPROVED FOR CONSTRUCTION  
SUBJECT TO CHANGES NOTED

The District's review is not a check of any dimension or quantities and will not relieve the Developer from responsibility for errors of any sort. No changes shall be made in the plans except by the consent of the District.

General Manager/District Engineer      Date

This construction plan will expire one year from plan approval date, if construction has not commenced.



15445 53RD AVE. S.  
SEATTLE, WA 98188  
PHONE: (206) 431-7970  
FAX: (206) 388-1648  
WEB SITE:  
PACENG.COM

Pacific  
Engineering  
Design, LLC  
Civil Engineering and  
Planning Consultants

LAKEHAVEN UTILITY DISTRICT PROJECT No. 6304025  
PEPPER HILL ESTATES  
KING COUNTY, WA

FOR:  
PACIFIC HOUSING GROUP I, LLC  
SEATTLE, WA 98107-1346  
PHONE: (206) 521-5979    FAX: (206) 224-2880

PROJECT NO.: 05052  
DRAWN BY: JGC  
ISSUE DATE: 09-30-05  
SHEET REV.: 10-17-11

FORCE MAIN  
SANITARY SEWER  
PUMP STATION  
DETAILS

05052SS22-SS22.DWG  
**SS22**