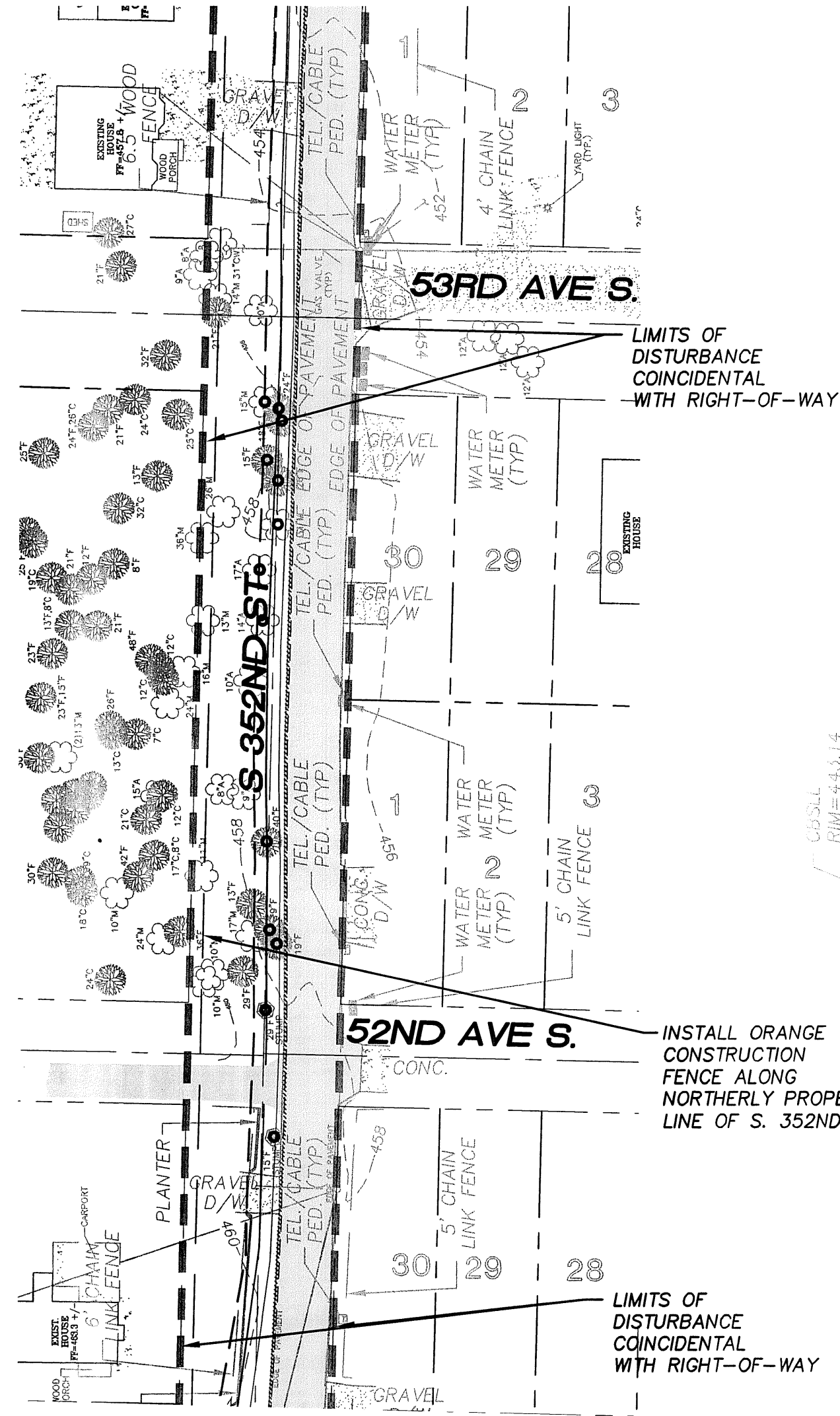
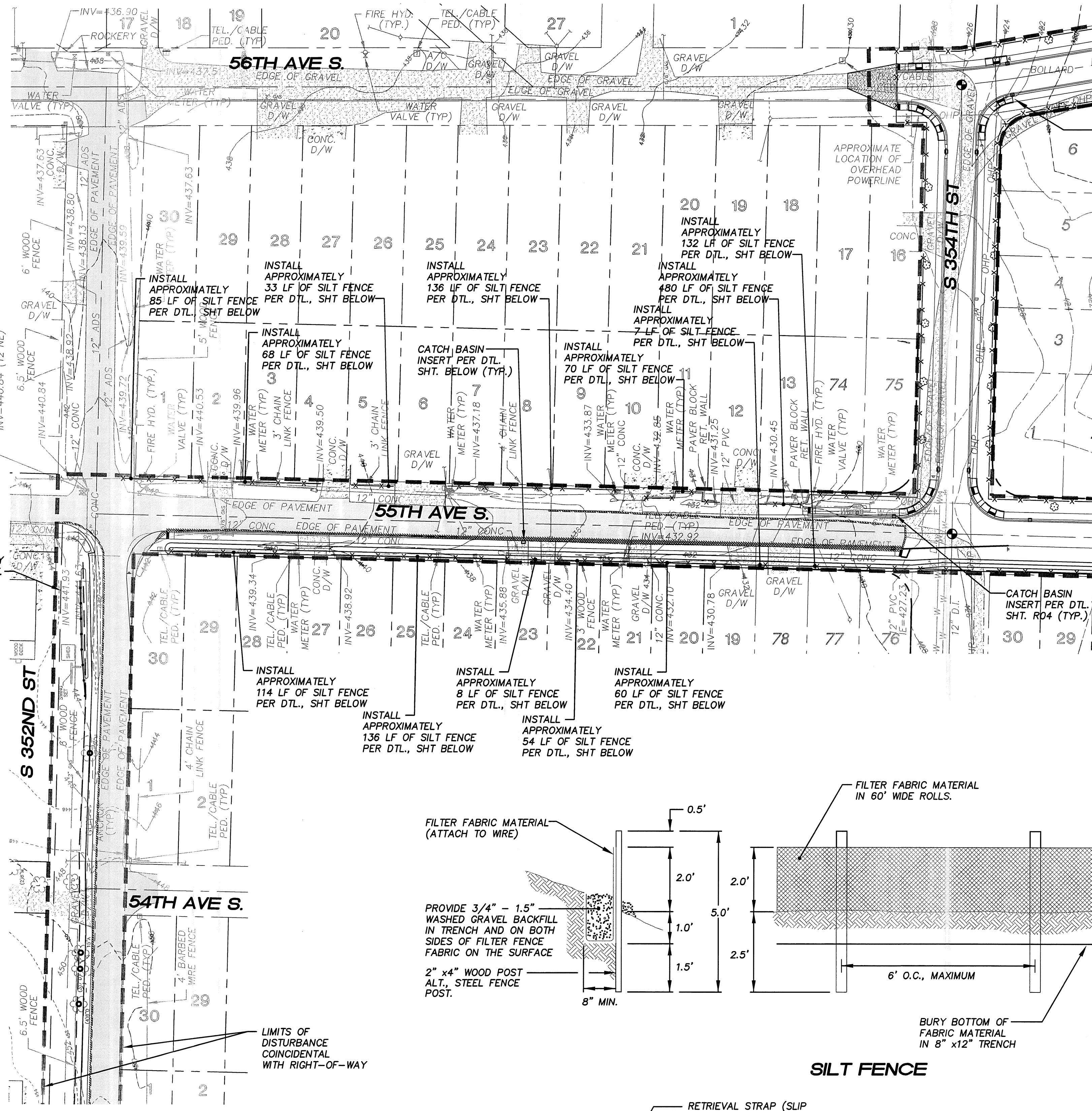


N.W. 1/4, SEC. 26, T. 21 N., R. 4 E., W.M.

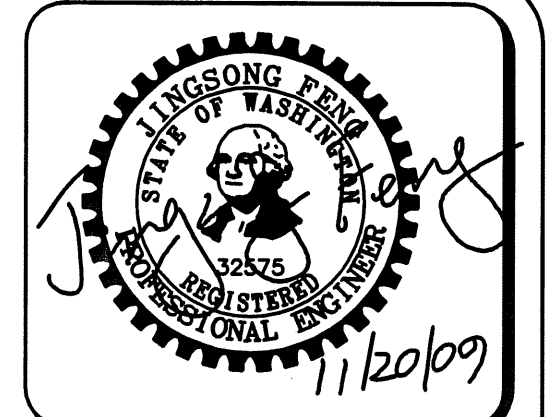
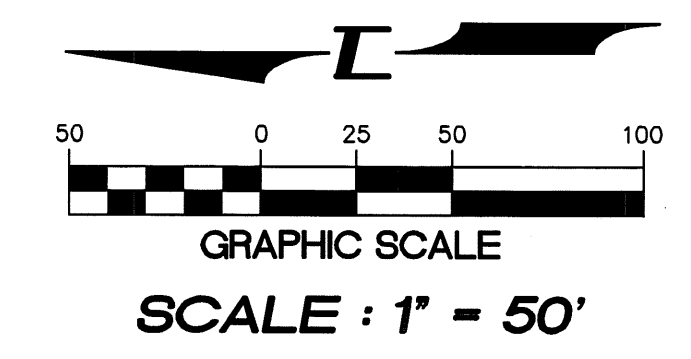
CONTINUED LOWER RIGHT



CONTINUED SHEET R04A



CONTINUED UPPER LEFT



15445 53RD AVE. S.
SEATTLE, WA 98188
PHONE: (206) 431-7970
FAX: (206) 388-1648
WEB SITE: PACENG.COM

Pacific
Engineering
Design, LLC
Civil Engineering and
Planning Consultants

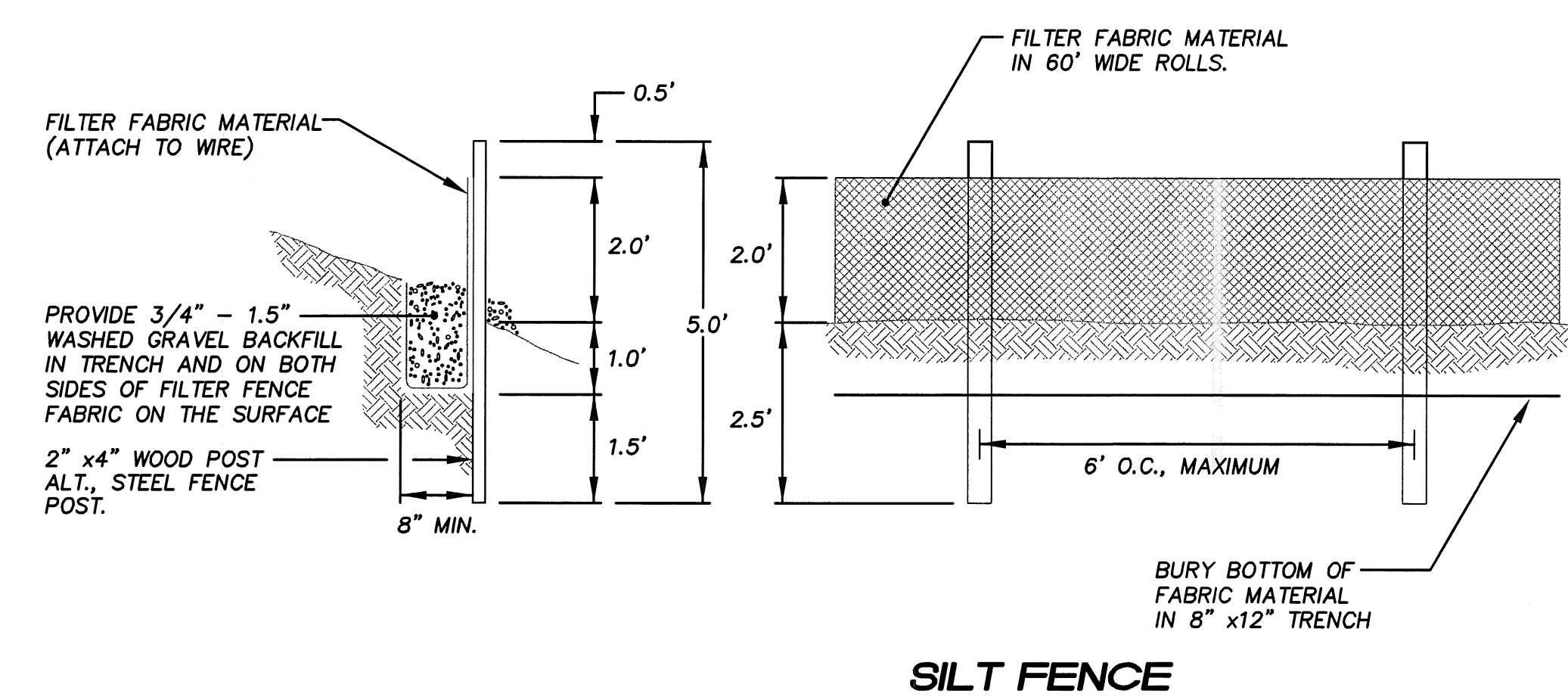
PEPPER HILL ESTATES
KING COUNTY, WA.

FOR:
PACIFIC HOUSING GROUP I, LLC
1420 5TH AVE, SUITE 2200
SEATTLE, WA 98101-1546
PHONE: (206) 521-5979 . FAX: (206) 224-2880

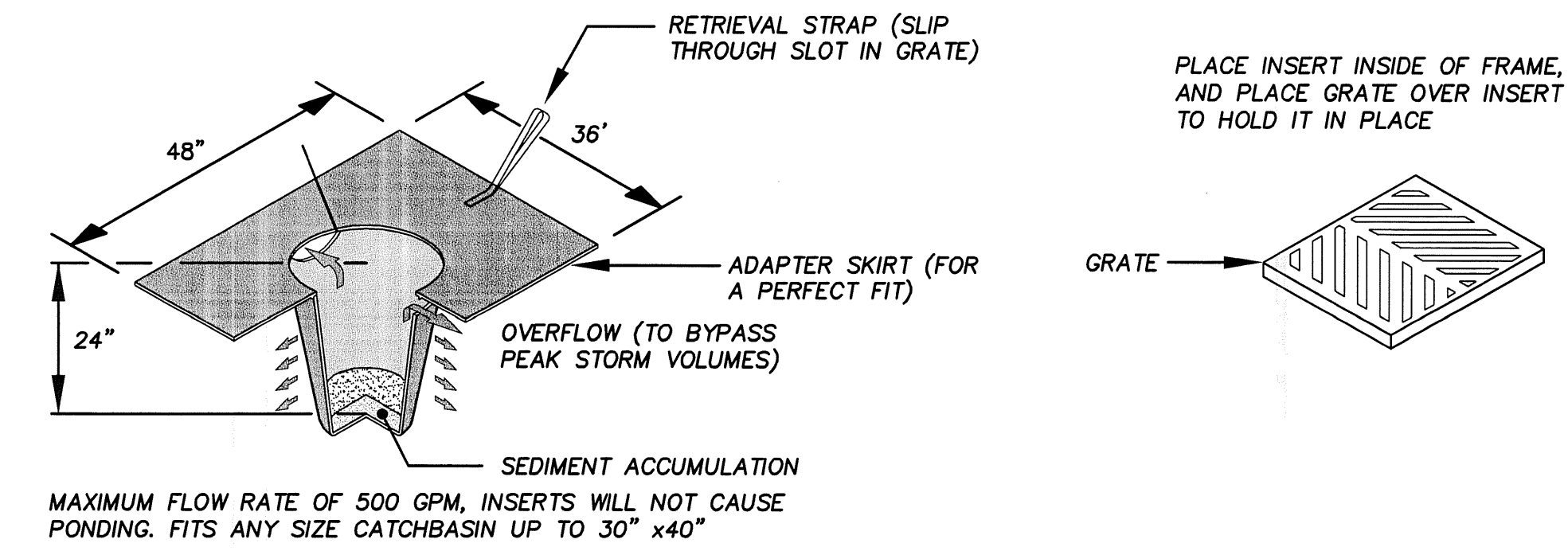
PROJECT NO.: 05052
DRAWN BY: JGC/RRJ
ISSUE DATE: 06-22-07
SHEET REV.: 11-20-09

TEMPORARY
EROSION/
SEDIMENTATION
CONTROL PLAN
(NORTH HALF)

05052E02-RW04.DWG
R04



PURPOSE:
TO RETAIN SEDIMENT FROM VERY SMALL DISTURBED AREAS BY CONSTRUCTION OF A TEMPORARY BARRIER MADE FROM RESIDUE MATERIALS AVAILABLE FROM CLEARING AND GRUBBING THE SITE.
CONDITIONS WHERE PRACTICE APPLIES:
BELOW DISTURBED AREAS SUBJECT TO SHEET AND RILL EROSION, WHERE ENOUGH RESIDUE MATERIAL IS AVAILABLE FOR CONSTRUCTION OF SUCH A BARRIER.
NOTE: DOES NOT REPLACE THE NEED FOR A SEDIMENT TRAP OR POND.
DESIGN CRITERIA/SPECIFICATIONS:
MINIMUM HEIGHT= 3.0'.
MAXIMUM HEIGHT= 5.0'.
MINIMUM WIDTH= 5.0' AT ITS BASE.
MAXIMUM WIDTH= 15.0'.
A FILTER FENCE ANCHORED OVER THE BRUSH BERM MAY BE REQUIRED BY KING COUNTY INSPECTOR TO ENHANCE THE FILTRATION ABILITY OF THE BARRIER.



MAXIMUM FLOW RATE OF 500 GPM, INSERTS WILL NOT CAUSE PONDING. FITS ANY SIZE CATCHBASIN UP TO 30" x40"

KING COUNTY D.D.E.S.	
Review Engineer	Completion Date
Senior Engineer	Completion Date
MOLLY A. JOHNSON, P.E. DEVELOPMENT ENGINEER	Approval Date
Comments:	