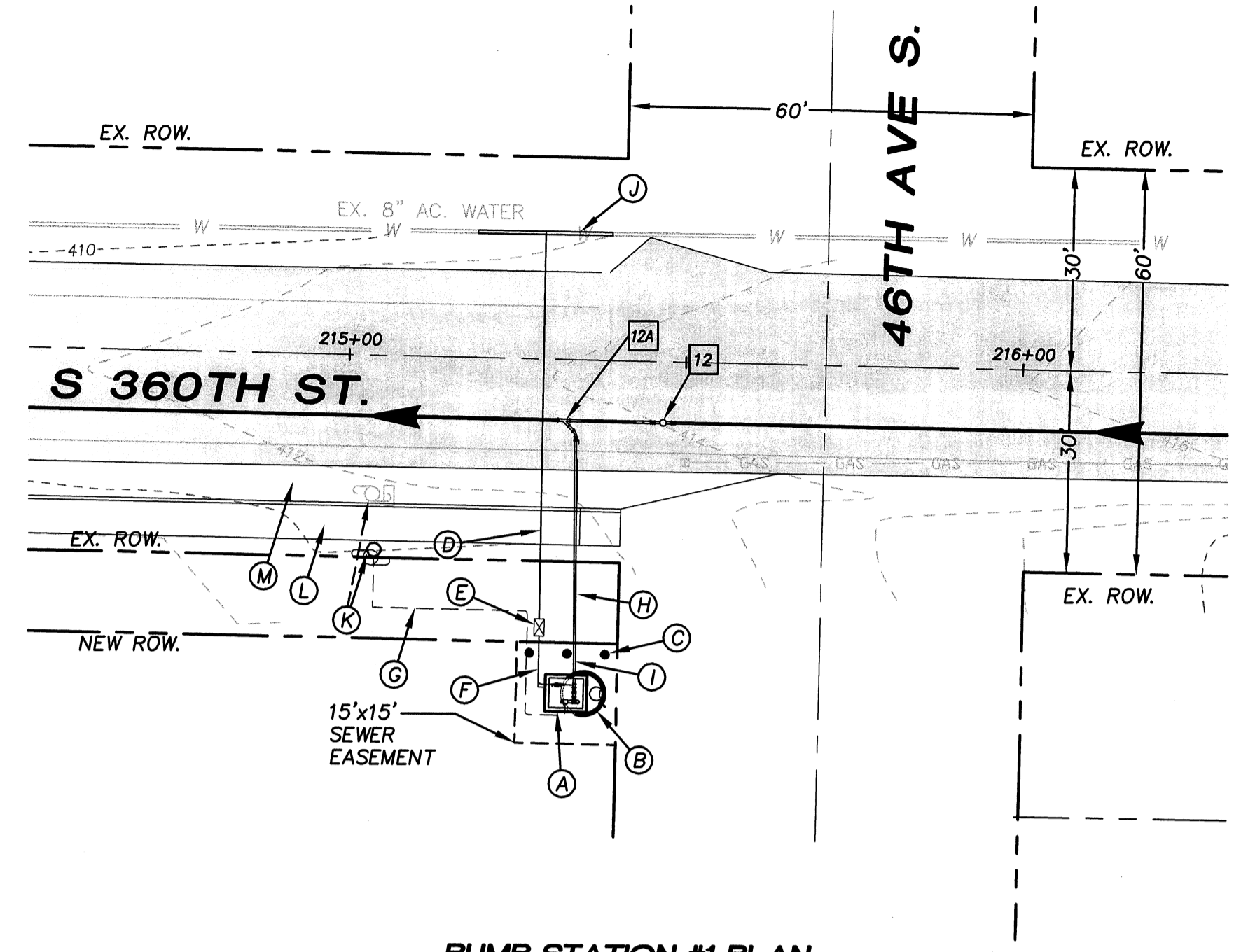
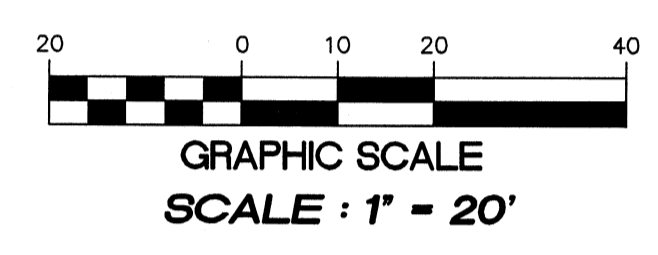


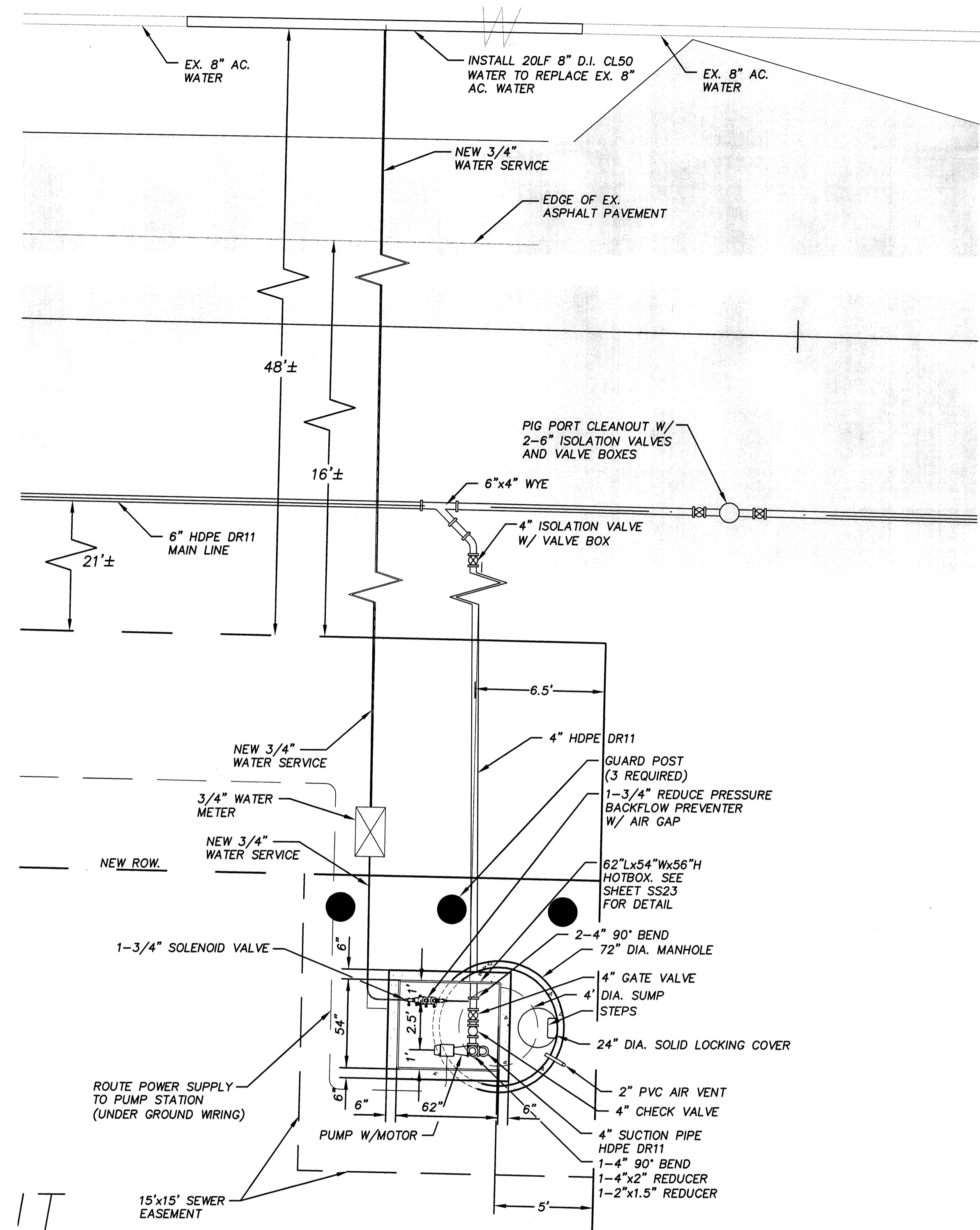
N.W. 1/4, SEC. 26, T. 21 N., R. 4 E., W.M.



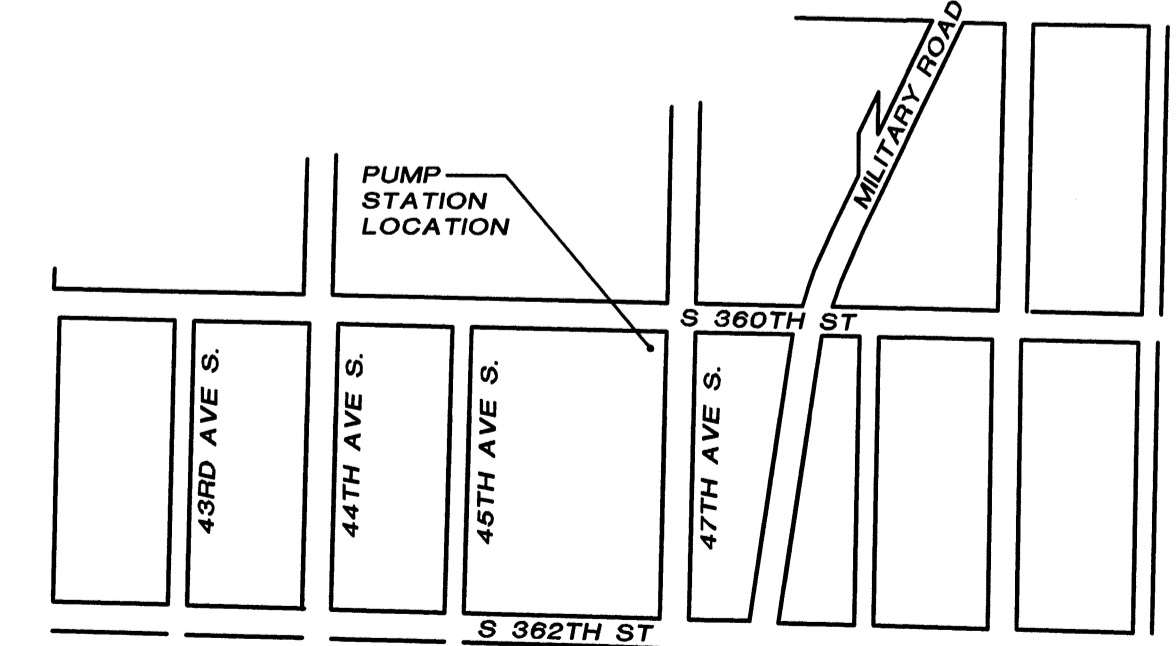
PUMP STATION #1 PLAN



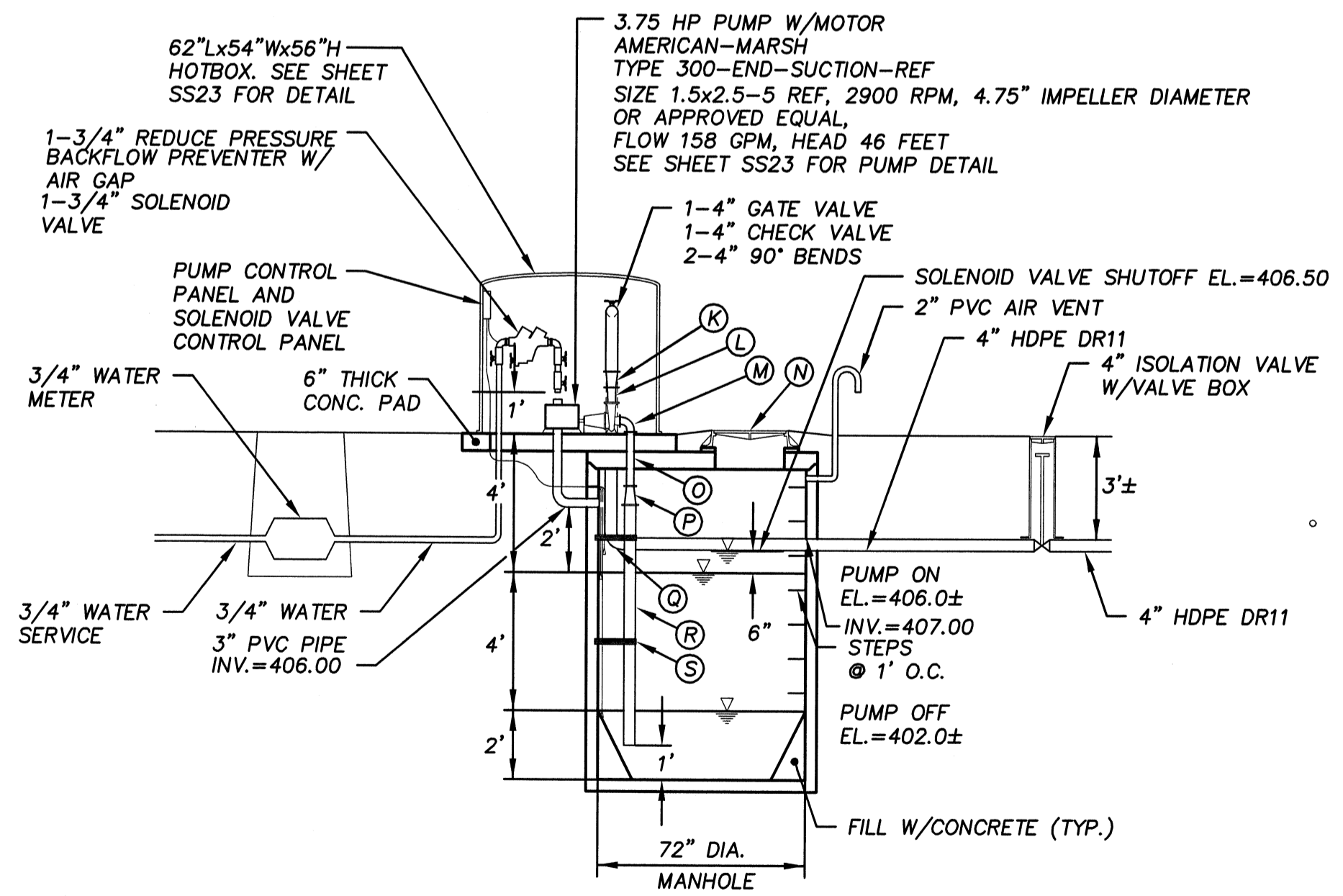
- (A) HOTBOX 62"Lx54"Wx56"H (SEE SHEET SS23 FOR DETAIL)
- (B) FLUSHING PUMP STATION IN 72" DIA. MANHOLE (SEE DETAIL RIGHT BELOW)
- (C) GUARD POST (3 REQUIRED)
- (D) 45LF 3/4" WATER
- (E) 3/4" WATER METER
- (F) 6LF 3/4" WATER
- (G) ROUTE POWER SUPPLY TO PUMP STATION (UNDER GROUND WIRING)
- (H) 4" ISOLATION VALVE W/ VALVE BOX
- (I) 8LF 4" HDPE DR11
- (J) INSTALL 20LF 8" D.I. CL50 WATER TO REPLACE EX. 8" AC WATER
- (K) RELOCATE EX. POWER POLE BY OTHERS SEE RAM NIWAS CHURCH PLANS
- (L) NEW CONCRETE SIDEWALK WITH CURB AND GUTTER BY OTHERS SEE RAM NIWAS CHURCH PLANS
- (M) NEW ASPHALT PAVEMENT BY OTHERS SEE RAM NIWAS CHURCH PLANS
- [12A] 215+33, 24.00' R
1-6"x4" HDPE DR 11 WYE
1-4" HDPE DR 11 SPOOL
1-4" HDPE DR 11 45° BEND
- [12] 215+40, 24.00' R
2-6" ISOLATION GATE VALVES W/ VALVE BOXES
1-6" CLEANOUT W/ PIG PORT #4



PUMP STATION #1 DETAIL
SCALE : 1" = 4'

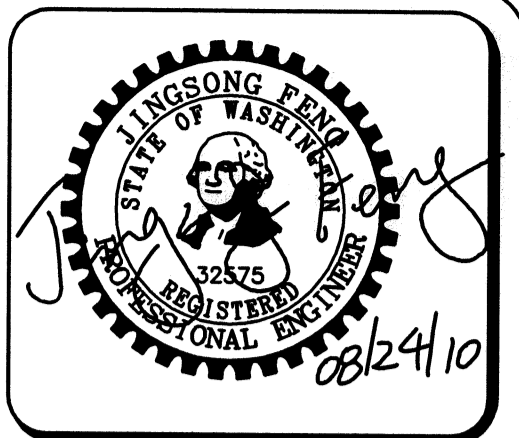


PUMP STATION #1 LOCATION MAP
SCALE : 1" = 500'



PUMP STATION #1 SECTION
SCALE : 1" = 4'

LAKEHAVEN UTILITY DISTRICT
 O Water Plan
 Dated **8/24/10** Sewer Plan
APPROVED FOR CONSTRUCTION
 SUBJECT TO CHANGES NOTED
 The District's review is not a check of any dimension or quantities and will not relieve the Developer from responsibility for errors of any sort. No changes shall be made in the plans except by the consent of the District.
 General Manager/District Engineer *[Signature]* Date **9/23/10**
 This construction plan will expire one year from plan approval date, if construction has not commenced.



15445 53RD AVE. S.
 SEATTLE, WA 98188
 PHONE: (206) 431-7970
 FAX: (206) 388-1648
 WEB SITE: PACENG.COM
Pacific Engineering Design, LLC
 Civil Engineering and Planning Consultants

LAKEHAVEN UTILITY DISTRICT PROJECT No. 6304025
PEPPER HILL ESTATES
 KING COUNTY, WA.
 FOR: PACIFIC HOUSING GROUP I, LLC
 1420 5TH AVE, SUITE 2200
 SEATTLE, WA, 98101-9346
 PHONE: (206) 521-5979 FAX: (206) 224-2880

PROJECT NO.: **05052**
 DRAWN BY: **JGC**
 ISSUE DATE: **09-30-05**
 SHEET REV.: **08-24-10**

FORCE MAIN SANITARY SEWER PUMP STATION DETAILS

05052SS22-SS22.DWG
SS22