

N.W. 1/4, SEC. 26, T. 21 N., R. 4 E., W.M.

- 23 1-6" ISOLATION GATE VALVE W/BOX
- 24 2-6" HDPE DR 11 WYE
1-6" HDPE DR 11 45° BEND
1-6" ISOLATION GATE VALVE W/BOX
- 25 1-6" CLEANOUT W/PIG PORT #8
- 26 2-6" HDPE DR 11 WYE
1-6" HDPE DR 11 45° BEND
1-6" ISOLATION GATE VALVE W/BOX
1-6" HDPE DR 11 SPOOL
1-6" ISOLATION GATE VALVE W/BOX
1-6"x4" HDPE DR 11 REDUCER
1-4"x2" HDPE DR 11 REDUCER
- 26A 1-6" HDPE DR 11 45° BEND
1-6" HDPE DR 11 SPOOL
1-6" ISOLATION GATE VALVE W/BOX
1-6"x4" HDPE DR 11 REDUCER
1-4"x2" HDPE DR 11 REDUCER
- 26B 112+73.36, 20.00' R
2-6" ISOLATION GATE VALVE W/BOX
1-6" FORCE MAIN CLEANOUT W/PIG PORT #9
1-6" HDPE DR 11 SPOOL
1-TRACER WIRE STATION

VERTICAL DATUM :

NAVD 88

BENCH MARK :

KING COUNTY SURVEY CONTROL POINT No. 6905,
SW CORNER OF SECTION 27, T 24 N, R 4 E, W.M.,
CONCRETE MONUMENT WITH LEAD AND BRASS TACK,
SET 1.2 FEET BELOW GRADE, IN STANDARD KC MON. CASE.
ELEVATION = 367.06

LAKEHAVEN UTILITY DISTRICT

0 Water Plan **8/24/10** Sewer Plan

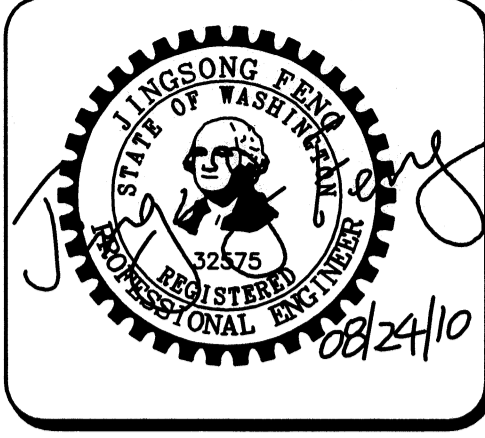
Dated **8/24/10**

APPROVED FOR CONSTRUCTION
SUBJECT TO CHANGES NOTED

The District's review is not a check of any dimension or quantities and will not relieve the Developer from responsibility for errors of any sort. No changes shall be made in the plans except by the consent of the District.

[Signature] 9/23/10
General Manager/District Engineer Date

This construction plan will expire one year from plan approval date, if construction has not commenced.



15445 53RD AVE. S.
SEATTLE, WA 98188
PHONE: (206) 431-7970
FAX: (206) 388-1648
WEB SITE: PACENG.COM

Pacific
Engineering
Design, LLC

Civil Engineering and
Planning Consultants

LAKEHAVEN UTILITY DISTRICT PROJECT No. 6304025
PEPPER HILL ESTATES

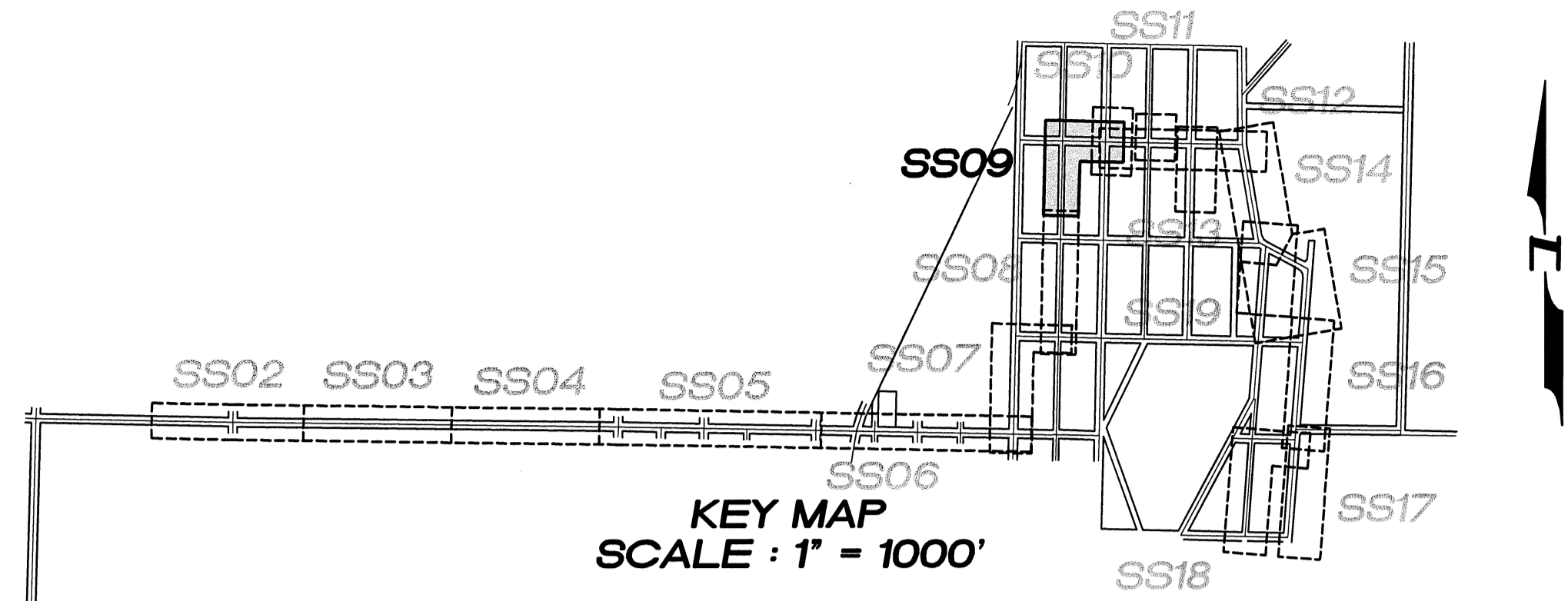
KING COUNTY, WA.

FOR
PACIFIC HOUSING GROUP I, LLC
SEATTLE, WA 98107-8246
PHONE: (206) 521-5979 FAX: (206) 224-2880

PROJECT NO.: 05052
DRAWN BY: JGC
ISSUE DATE: 09-30-05
SHEET REV.: 08-24-10

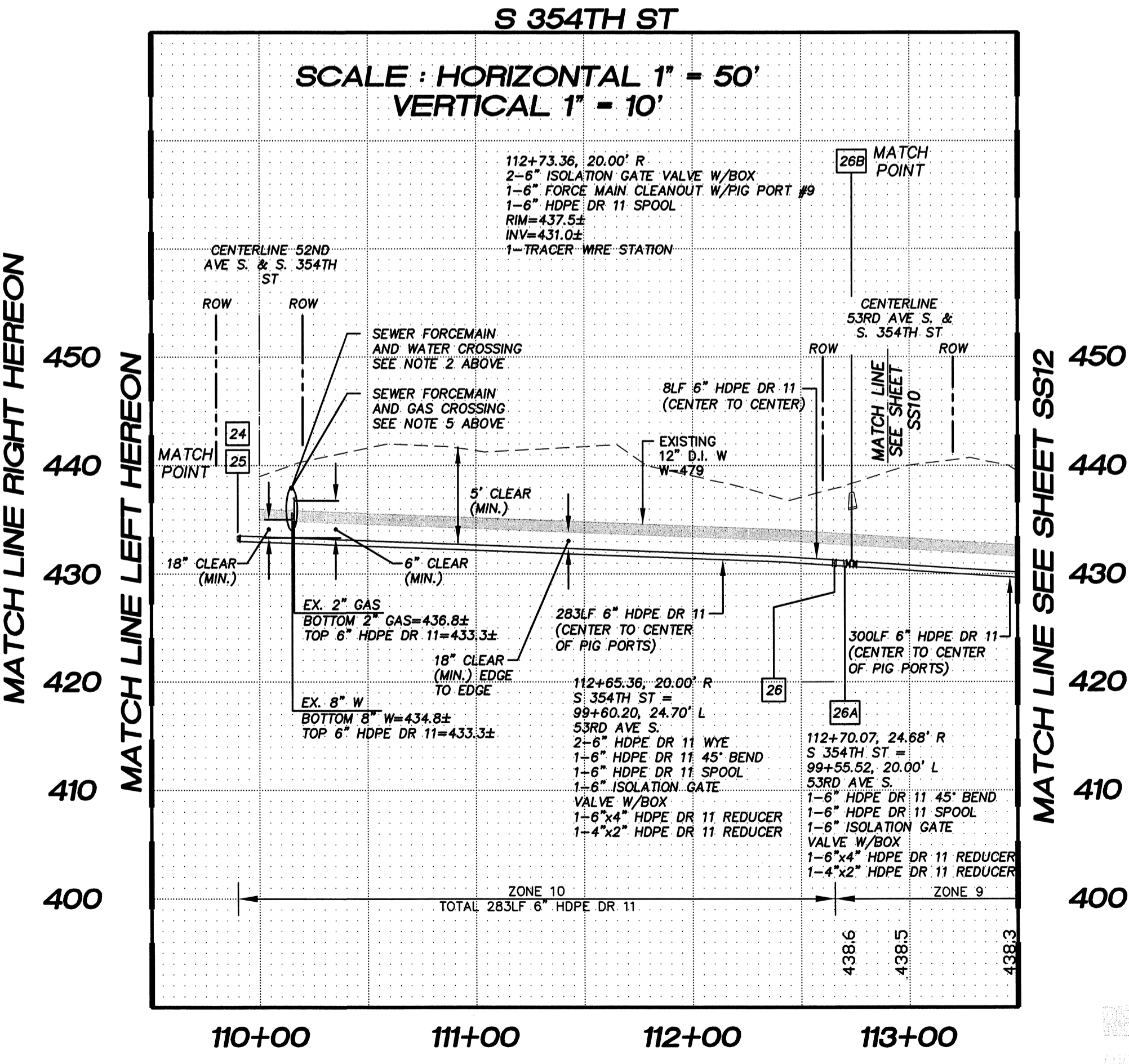
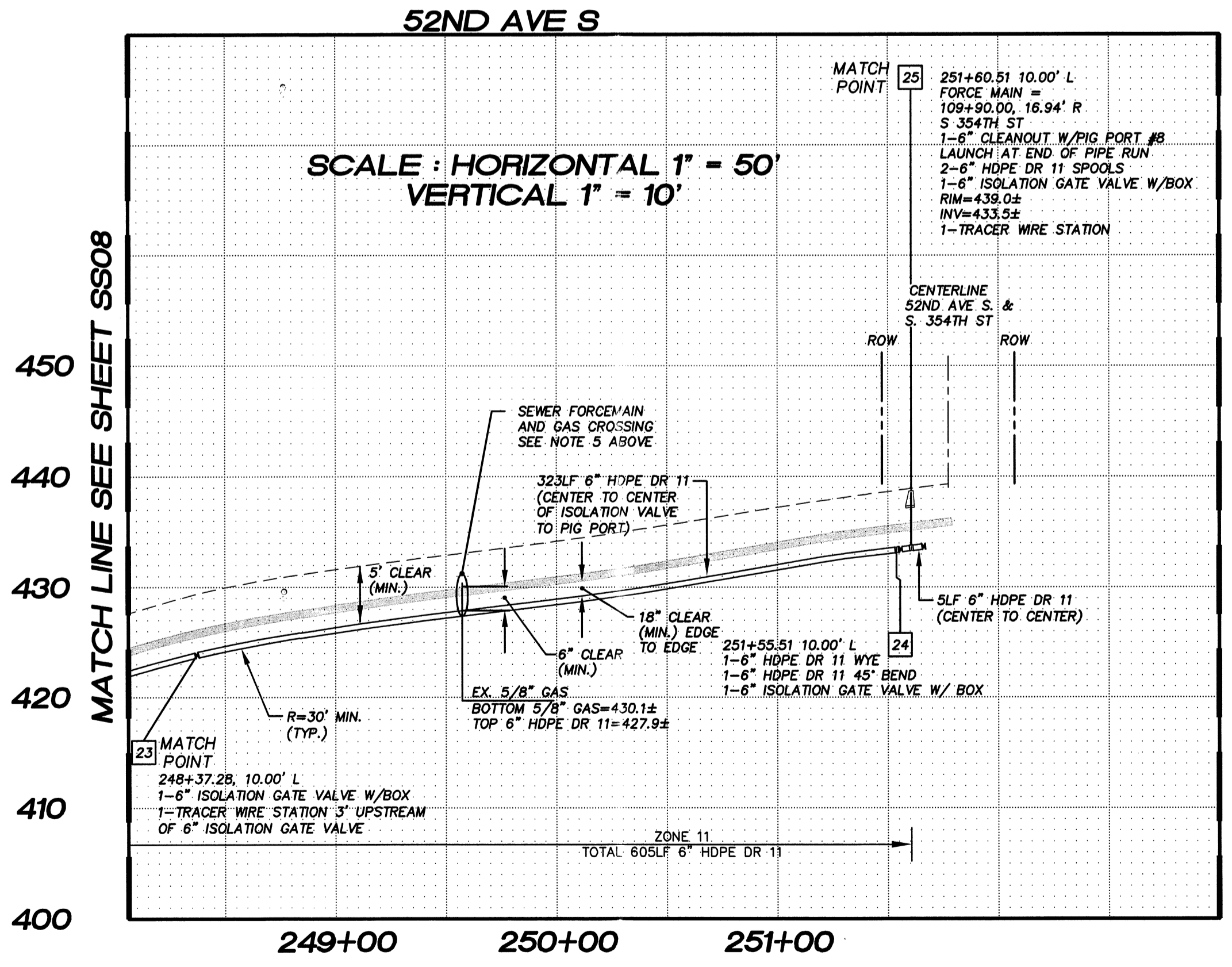
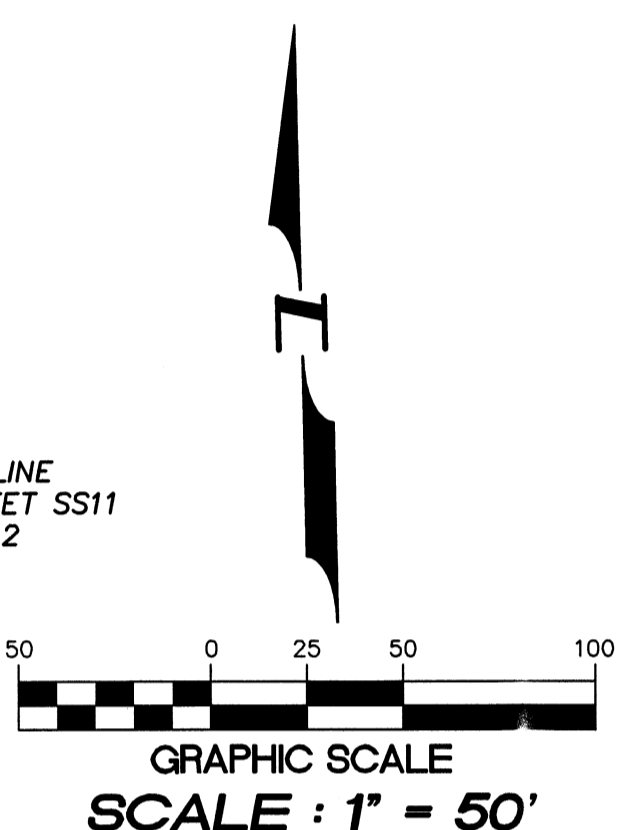
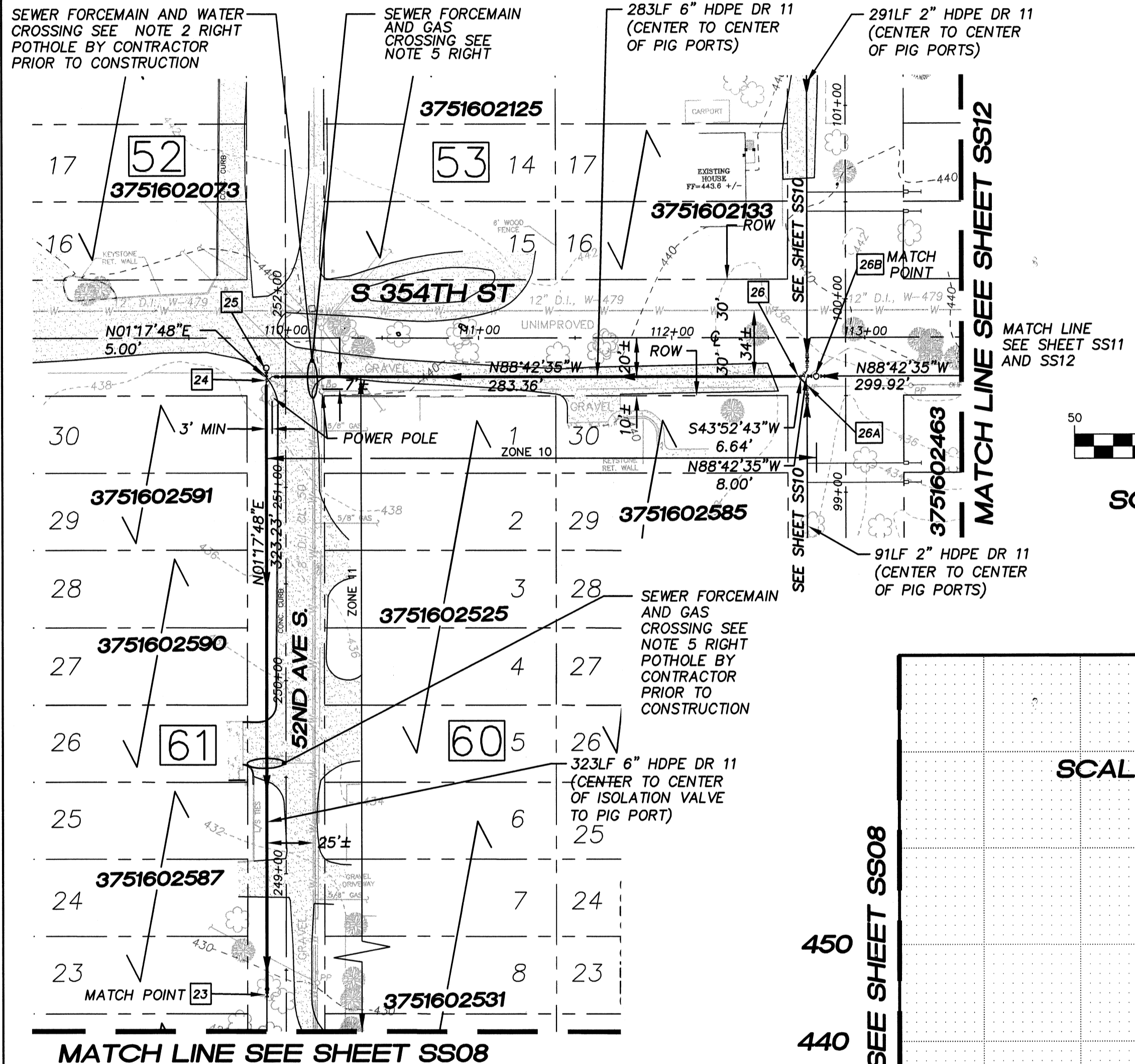
FORCE MAIN
SANITARY SEWER
52ND AVE S/8 354TH ST
STA. 248+37.28 TO
STA. 251+77.45-110+00
TO STA. 112+73.36
PLAN AND PROFILE

05052SS09.DWG
SS09



NOTES :

1. THE MINIMUM SEPARATION BETWEEN (PARALLEL PIPELINES) WATER MAIN, WATER SERVICE LINE AND PRESSURE SEWER FACILITIES (MUST BE BELOW WATER MAIN OR WATER SERVICE) MUST BE MET, ARE AS FOLLOWS:
HORIZONTAL ≥ 10' MEASURED EDGE TO EDGE VERTICAL ≥ 18", MEASURED EDGE TO EDGE.
2. THE MINIMUM SEPARATION BETWEEN (CROSSING PIPELINES) WATER MAIN, WATER SERVICE LINE AND PRESSURE SEWER FACILITIES (MUST BE BELOW WATER MAIN OR WATER SERVICE) MUST BE MET, ARE AS FOLLOWS:
VERTICAL ≥ 18" MEASURED EDGE TO EDGE
3. IF THE EXISTING WATER IS AC PIPE, IT SHALL BE REPLACED WITH SAME SIZE DUCTILE IRON PIPE 10 FEET EACH SIDE OF SEWER CROSSING BUT NO LESS THAN 2 FEET INTO BOTH TRENCH WALLS (NO CDF CRADLE ALLOWED).
4. LOCATION OF EXISTING UNDERGROUND UTILITIES WAS PROVIDED BY UTILITY LOCATE AND BY AS BUILT RECORDS. UTILITY PAINT MARKS WERE FIELD SURVEYED BY CES NW INC.
5. OTHER UTILITY SEPARATION BETWEEN PRESSURE SEWER FACILITIES MUST BE MET, ARE AS FOLLOWS:
HORIZONTAL ≥ 3' MEASURED EDGE TO EDGE VERTICAL ≥ 6", MEASURED EDGE TO EDGE.
6. FOR PARCELS IN PEPPER HILL ESTATES AREAS, EXISTING PARCEL NUMBERS AND LOT NUMBERS WILL BE UPDATED AFTER BOUNDARY LINE ADJUSTMENTS ARE RECORDED.
7. ALL CLEANOUTS W/PIG PORTS ARE USED AS TRACER WIRE STATIONS.
8. FRAMES AND COVERS FOR CLEANOUTS/PIGPORTS NOT SUBJECT TO VEHICULAR TRAFFIC SHALL BE SET 6" ABOVE FINISHED GRADE AND BE PROTECTED BY VALVE BOX PROTECTIVE PADS.



05052SS09.DWG
SS09